



Phone (800) 981-1540 | Fax (715) 254-0996  
 sales@kimobility.com | www.kimobility.com



Company: \_\_\_\_\_

Ship To: \_\_\_\_\_

Account Number: \_\_\_\_\_ Date: \_\_\_\_\_

Address: \_\_\_\_\_

Quote  PO Number: \_\_\_\_\_

City: \_\_\_\_\_ State: \_\_\_\_\_

RTS: \_\_\_\_\_

Zip: \_\_\_\_\_ Phone: \_\_\_\_\_

Marked For: \_\_\_\_\_

Email/Fax: \_\_\_\_\_

Select if chair quote has:  Additional Ki Products with Different Quote/Order Number **Quote/Order Number:** \_\_\_\_\_

Effective 07/18/2022

**Rogue ALX** K0005, E1235 **\$2070**  
 250 lb weight capacity

HCPCS codes provided are based on code verification by the PDAC or our interpretation of the code definitions. Proper use of HCPCS codes does not ensure coverage or payment. For coverage information, verify the appropriate payer's coverage policy.

**Frame**

**Seat Width**

See reference A on page 6

- 14" \_\_\_\_\_ N/C
- 15" \_\_\_\_\_ N/C
- 16" \_\_\_\_\_ N/C
- 17" \_\_\_\_\_ N/C
- 18" \_\_\_\_\_ N/C
- 19" \_\_\_\_\_ \$125
- 20" E2201 \_\_\_\_\_ \$500
- 21" E2201 \_\_\_\_\_ \$500
- 22" E2201 \_\_\_\_\_ \$500

**Sling Position**

In Performance Position (0"), sling is at front of frame. The 1" or 2" sling position extends the frame in front of the sling by that amount. See reference C on page 6.

- 0" (Performance) \_\_\_\_\_ N/C
- 1" \_\_\_\_\_ N/C
- 2" (Classic) \_\_\_\_\_ N/C

**Seat Depth**

See reference B on page 6

- 14" \_\_\_\_\_ N/C
- 15" \_\_\_\_\_ N/C
- 16" \_\_\_\_\_ N/C
- 17" \_\_\_\_\_ N/C
- 18" \_\_\_\_\_ N/C
- 19" \_\_\_\_\_ \$75
- 20" E2203 \_\_\_\_\_ \$550

**Adjustable Depth**

Adds the capability to grow seat in depth

- No Rear Adjustment \_\_\_\_\_ N/C
- 1/2" \_\_\_\_\_ N/C
- 1" \_\_\_\_\_ \$85
- 2" \_\_\_\_\_ \$165
- 3" \_\_\_\_\_ \$165

**Weight Capacity**

- 250 lb \_\_\_\_\_ Std
- 350 lb (Heavy Duty) \_\_\_\_\_ \$750  
 Requires 6" casters

**Long Sling**

Available only with 1", 2" and 3" Adjustable Depth

- Long Sling \_\_\_\_\_ N/C  
 Sling will be maximum 2" longer than seat depth

**Transit**

- Transit System \_\_\_\_\_ \$320  
 125 lb maximum weight capacity
- Omit Transit \_\_\_\_\_ N/C

**Seat Option**

- Standard Seat Sling \_\_\_\_\_ Std
- Solid Seat Pan E2231 \_\_\_\_\_ \$265  
 Seat Pan is 1" longer when Long Sling option is selected

**Backrest**

**Front Frame Bend**

Angle between front seat tube and ground. See reference D on page 6.

- 90° \_\_\_\_\_ \$125
- 85° \_\_\_\_\_ N/C
- 80° \_\_\_\_\_ N/C
- 75° \_\_\_\_\_ N/C
- 70° \_\_\_\_\_ \$125

**Back Post / Height Range / Back Height**

| Back Post                 | Price | Height Range                    | Back Height                              |  |  |  |                             |
|---------------------------|-------|---------------------------------|--|--|--|--|-----------------------------|
| Height Adjustable         | N/C   | <input type="checkbox"/> Short  | <input type="checkbox"/> 11 <sup>2</sup> | <input type="checkbox"/> 12              | <input type="checkbox"/> 13              | <input type="checkbox"/> 14              |                             |
|                           |       | <input type="checkbox"/> Medium | <input type="checkbox"/> 13              | <input type="checkbox"/> 14              | <input type="checkbox"/> 15              | <input type="checkbox"/> 16              | <input type="checkbox"/> 17 |
|                           |       | <input type="checkbox"/> Tall   | <input type="checkbox"/> 17              | <input type="checkbox"/> 18              | <input type="checkbox"/> 19              | <input type="checkbox"/> 20              |                             |
| Fixed Height <sup>1</sup> | \$85  | <input type="checkbox"/> Fixed  | <input type="checkbox"/> 9 <sup>2</sup>  | <input type="checkbox"/> 10 <sup>2</sup> | <input type="checkbox"/> 11 <sup>2</sup> | <input type="checkbox"/> 12 <sup>3</sup> | <input type="checkbox"/> 13 |
|                           |       |                                 | <input type="checkbox"/> 14              | <input type="checkbox"/> 15              | <input type="checkbox"/> 16              | <input type="checkbox"/> 17              | <input type="checkbox"/> 18 |

**Push Handle**

- Omit Push Handle \_\_\_\_\_ N/C
- Standard Push Handle \_\_\_\_\_ \$85
- Low Profile Push Handle \_\_\_\_\_ \$150  
 2" shorter than standard push handles
- Bolt-On Push Handle \_\_\_\_\_ \$125  
 Handles will be 1" - 2" above back height
- Fold Down Push Handle \_\_\_\_\_ \$100  
 Not available with 350 lb Weight Capacity

<sup>1</sup> Not available with back upholstery  
<sup>2</sup> Not available with Fold Down Push Handle  
<sup>3</sup> Fold Down Push Handle requires Height Adjustable Rigidizer Bar

**Backrest continued**

- Rigidizer Bar**
- Adjustable Height Rigidizer Bar \_\_\_\_\_ \$75
  - Non-Adjustable Height Rigidizer Bar \_\_\_\_\_ N/C

- Locking Backrest**
- Locking Fold Down Back \_\_\_\_\_ \$95  
*Rogue style locking back. Not available with 350 lb Weight Capacity*

- Seat Back Angle**
- Standard is 90° (perpendicular to floor). Minus (-°) closes back angle. Plus (+°) opens back angle.*
- Standard       +3°               +6°               +9°
  - 3°               -6°               -9°               -12°

**Back Upholstery**

- Available only with Height Adjustable Back Posts. If selecting both upholstery and Axiom Back, the upholstery will be installed.*
- Padded Velcro Adjustable  
*Not available with 350 lb Weight Capacity*
- Standard Cover \_\_\_\_\_ Std
  - Air Mesh Breathable Cover \_\_\_\_\_ \$75
- Tension Adjustable E2611
- Standard Cover \_\_\_\_\_ \$320
  - Air Mesh Breathable Cover \_\_\_\_\_ \$390
- Omit Back Upholstery \_\_\_\_\_ - \$10

**Military Patch**

- US Military Service Patch \_\_\_\_\_ \$90
  - Army    Navy    Marines    Air Force    Coast Guard
- US Purple Heart Patch \_\_\_\_\_ \$90
- Purple Heart with Military Service Patch Combo \_\_\_\_\_ \$145
  - Army    Navy    Marines    Air Force    Coast Guard

**Front Seat Height and Casters**

**Caster Size / Footrest Taper / Front Seat Height**

*Select Front Seat Height and Footrest Taper in row corresponding to Caster Size. 6" casters not available with 85° and 90° Front Frame Bend. Footrest Taper indicates bend of front frame creating footrest width. Taper is measured from outside of seat frame to outside of front tube. 2" Taper not available with 75° Front Frame Bend. Taper is not available with 70° Front Frame Bend. See reference E on page 6. Front Seat Height is measured from floor to top of seat tube at front of seat sling. Adjustable up or down by 1/2". See reference F on page 6.*

| Footrest Taper                    | Caster Size | Front Seat Height             |                               |                               |                               |                               |                               |                               |                               |                               |                               |                               |                               |                               |                               |                               |
|-----------------------------------|-------------|-------------------------------|-------------------------------|-------------------------------|-------------------------------|-------------------------------|-------------------------------|-------------------------------|-------------------------------|-------------------------------|-------------------------------|-------------------------------|-------------------------------|-------------------------------|-------------------------------|-------------------------------|
| <input type="checkbox"/> Straight | 3"          | <input type="checkbox"/> 13.5 | <input type="checkbox"/> 14   | <input type="checkbox"/> 14.5 | <input type="checkbox"/> 15   | <input type="checkbox"/> 15.5 | <input type="checkbox"/> 16   | <input type="checkbox"/> 16.5 | <input type="checkbox"/> 17   | <input type="checkbox"/> 17.5 | <input type="checkbox"/> 18   | <input type="checkbox"/> 18.5 | <input type="checkbox"/> 19   | <input type="checkbox"/> 19.5 | <input type="checkbox"/> 20   | <input type="checkbox"/> 20.5 |
|                                   | 4"          | <input type="checkbox"/> 14   | <input type="checkbox"/> 14.5 | <input type="checkbox"/> 15   | <input type="checkbox"/> 15.5 | <input type="checkbox"/> 16   | <input type="checkbox"/> 16.5 | <input type="checkbox"/> 17   | <input type="checkbox"/> 17.5 | <input type="checkbox"/> 18   | <input type="checkbox"/> 18.5 | <input type="checkbox"/> 19   | <input type="checkbox"/> 19.5 | <input type="checkbox"/> 20   | <input type="checkbox"/> 20.5 |                               |
|                                   | 5"          | <input type="checkbox"/> 14.5 | <input type="checkbox"/> 15   | <input type="checkbox"/> 15.5 | <input type="checkbox"/> 16   | <input type="checkbox"/> 16.5 | <input type="checkbox"/> 17   | <input type="checkbox"/> 17.5 | <input type="checkbox"/> 18   | <input type="checkbox"/> 18.5 | <input type="checkbox"/> 19   | <input type="checkbox"/> 19.5 | <input type="checkbox"/> 20   | <input type="checkbox"/> 20.5 |                               |                               |
|                                   | 6"          | <input type="checkbox"/> 15   | <input type="checkbox"/> 15.5 | <input type="checkbox"/> 16   | <input type="checkbox"/> 16.5 | <input type="checkbox"/> 17   | <input type="checkbox"/> 17.5 | <input type="checkbox"/> 18   | <input type="checkbox"/> 18.5 | <input type="checkbox"/> 19   | <input type="checkbox"/> 19.5 | <input type="checkbox"/> 20   | <input type="checkbox"/> 20.5 |                               |                               |                               |
| <input type="checkbox"/> 1" Taper | 3"          | <input type="checkbox"/> 16.5 | <input type="checkbox"/> 17   | <input type="checkbox"/> 17.5 | <input type="checkbox"/> 18   | <input type="checkbox"/> 18.5 | <input type="checkbox"/> 19   | <input type="checkbox"/> 19.5 | <input type="checkbox"/> 20   | <input type="checkbox"/> 20.5 |                               |                               |                               |                               |                               |                               |
|                                   | 4"          | <input type="checkbox"/> 17   | <input type="checkbox"/> 17.5 | <input type="checkbox"/> 18   | <input type="checkbox"/> 18.5 | <input type="checkbox"/> 19   | <input type="checkbox"/> 19.5 | <input type="checkbox"/> 20   | <input type="checkbox"/> 20.5 |                               |                               |                               |                               |                               |                               |                               |
|                                   | 5"          | <input type="checkbox"/> 17.5 | <input type="checkbox"/> 18   | <input type="checkbox"/> 18.5 | <input type="checkbox"/> 19   | <input type="checkbox"/> 19.5 | <input type="checkbox"/> 20   | <input type="checkbox"/> 20.5 |                               |                               |                               |                               |                               |                               |                               |                               |
|                                   | 6"          | <input type="checkbox"/> 18   | <input type="checkbox"/> 18.5 | <input type="checkbox"/> 19   | <input type="checkbox"/> 19.5 | <input type="checkbox"/> 20   | <input type="checkbox"/> 20.5 |                               |                               |                               |                               |                               |                               |                               |                               |                               |
| <input type="checkbox"/> 2" Taper | 3"          | <input type="checkbox"/> 16.5 | <input type="checkbox"/> 17   | <input type="checkbox"/> 17.5 | <input type="checkbox"/> 18   | <input type="checkbox"/> 18.5 | <input type="checkbox"/> 19   | <input type="checkbox"/> 19.5 | <input type="checkbox"/> 20   | <input type="checkbox"/> 20.5 |                               |                               |                               |                               |                               |                               |
|                                   | 4"          | <input type="checkbox"/> 17   | <input type="checkbox"/> 17.5 | <input type="checkbox"/> 18   | <input type="checkbox"/> 18.5 | <input type="checkbox"/> 19   | <input type="checkbox"/> 19.5 | <input type="checkbox"/> 20   | <input type="checkbox"/> 20.5 |                               |                               |                               |                               |                               |                               |                               |
|                                   | 5"          | <input type="checkbox"/> 17.5 | <input type="checkbox"/> 18   | <input type="checkbox"/> 18.5 | <input type="checkbox"/> 19   | <input type="checkbox"/> 19.5 | <input type="checkbox"/> 20   | <input type="checkbox"/> 20.5 |                               |                               |                               |                               |                               |                               |                               |                               |
|                                   | 6"          | <input type="checkbox"/> 18   | <input type="checkbox"/> 18.5 | <input type="checkbox"/> 19   | <input type="checkbox"/> 19.5 | <input type="checkbox"/> 20   | <input type="checkbox"/> 20.5 |                               |                               |                               |                               |                               |                               |                               |                               |                               |

**Caster**

| Caster Type |                          | Caster Size |                          |                          |                          |                          |
|-------------|--------------------------|-------------|--------------------------|--------------------------|--------------------------|--------------------------|
|             |                          | Price       | 3"                       | 4"                       | 5"                       | 6"                       |
| Caster Type | .75" Rollerblade         | N/C         | <input type="checkbox"/> | <input type="checkbox"/> |                          |                          |
|             | .75" Lighted Rollerblade | \$70        | <input type="checkbox"/> | <input type="checkbox"/> |                          |                          |
|             | 1" Poly                  | N/C         |                          | <input type="checkbox"/> | <input type="checkbox"/> | <input type="checkbox"/> |
|             | 1" Poly Aluminum         | \$110       |                          | <input type="checkbox"/> | <input type="checkbox"/> |                          |
|             | 1" Pneumatic             | \$80        |                          |                          |                          | <input type="checkbox"/> |
|             | 1.5" Poly                | \$55        |                          | <input type="checkbox"/> | <input type="checkbox"/> | <input type="checkbox"/> |
|             | 1.5" Soft Roll Aluminum  | \$185       | <input type="checkbox"/> | <input type="checkbox"/> | <input type="checkbox"/> | <input type="checkbox"/> |

**Fork Options**

- Standard Fork \_\_\_\_\_ Std
- Slotted Fork \_\_\_\_\_ \$75
- Single Sided Fork \_\_\_\_\_ \$170  
*Not available with 6" Caster Size*
- Frog Legs Suspension Fork E1015 \_\_\_\_\_ \$450  
*Not available with 350 lb Weight Capacity*
  - User Weight 80 - 120 lbs
  - User Weight 120 - 160 lbs
  - User Weight 160 - 220 lbs
  - User Weight 220 - 250 lbs
- Frog Legs II Suspension System \_\_\_\_\_ \$450  
*Lightweight shock absorbing fork. Not available with 350 lb Weight Capacity.*
- Caster Pin Locks K0073 \_\_\_\_\_ \$185  
*Available only with Slotted Fork*

**Footrest**

- Footplate**
- Tubular "Open" Footplate \_\_\_\_\_ Std  
*Not available w/footrest widths greater than 17.5". See Reference G on page 6.*
  - Tubular Footplate with ABS Cover \_\_\_\_\_ \$30  
*Not available w/footrest widths greater than 15.5". See Reference G on page 6.*
  - Aluminum Angle Adjustable K0040 \_\_\_\_\_ \$95
  - Aluminum Angle Adjustable with Riser K0040, K0037 \_\_\_\_\_ \$145  
*Not available with 350 lb Weight Capacity*
  - High Mount Aluminum Angle Adjustable K0040, K0037 \_\_\_\_\_ \$95  
*Not available with 350 lb Weight Capacity*
  - Angle Adjustable Flip Under K0040, K0037 \_\_\_\_\_ \$185  
*Not available with footrest widths less than 9.5". Not available with 350 lb Weight Capacity*
  - High Mount Angle Adjustable Flip Under K0040, K0037 \_\_\_\_\_ \$270  
*Not available with footrest widths greater than 15.5" or 350 lb Weight Capacity. See Reference G on page 6.*

- Footrest Protector**
- Footrest Protector \_\_\_\_\_ \$25  
*Not available with Angle Adjustable Flip Under, High Mount Angle Adjustable Flip Under or High Mount Aluminum Angle Adjustable Footplates*

**Seat to Footrest Length**  
*Measured from front edge of seat sling to top, rear of footrest. Footrest length at least 2.5" shorter than Front Seat Height recommended. See reference H on page 6.*

|                              |                                |                              |                                |                              |                                |
|------------------------------|--------------------------------|------------------------------|--------------------------------|------------------------------|--------------------------------|
| <input type="checkbox"/> 8"  | <input type="checkbox"/> 8.5"  | <input type="checkbox"/> 9"  | <input type="checkbox"/> 9.5"  | <input type="checkbox"/> 10" | <input type="checkbox"/> 10.5" |
| <input type="checkbox"/> 11" | <input type="checkbox"/> 11.5" | <input type="checkbox"/> 12" | <input type="checkbox"/> 12.5" | <input type="checkbox"/> 13" | <input type="checkbox"/> 13.5" |
| <input type="checkbox"/> 14" | <input type="checkbox"/> 14.5" | <input type="checkbox"/> 15" | <input type="checkbox"/> 15.5" | <input type="checkbox"/> 16" | <input type="checkbox"/> 16.5" |
| <input type="checkbox"/> 17" | <input type="checkbox"/> 17.5" | <input type="checkbox"/> 18" | <input type="checkbox"/> 18.5" | <input type="checkbox"/> 19" | <input type="checkbox"/> 19.5" |

**Rear Seat Height and Wheels**

**Wheel Size / Rear Seat Height**  
*Select Rear Seat Height in row corresponding to desired Wheel Size. For proper setup, selection is required when omitting rear wheels. Measured from floor to top of seat tube at front of back post. Rear Seat Height is custom to needs. See reference I on page 6.*

| Wheel Size | Rear Seat Height                           |                               |                               |                               |                               |                               |                               |                               |                               |                               |                               |                             |                               |                             |
|------------|--|-------------------------------|-------------------------------|-------------------------------|-------------------------------|-------------------------------|-------------------------------|-------------------------------|-------------------------------|-------------------------------|-------------------------------|-----------------------------|-------------------------------|-----------------------------|
| 22"        | <input type="checkbox"/> 13.5 <sup>1</sup> | <input type="checkbox"/> 14   | <input type="checkbox"/> 14.5 | <input type="checkbox"/> 15   | <input type="checkbox"/> 15.5 | <input type="checkbox"/> 16   | <input type="checkbox"/> 16.5 | <input type="checkbox"/> 17   | <input type="checkbox"/> 17.5 | <input type="checkbox"/> 18   | <input type="checkbox"/> 18.5 | <input type="checkbox"/> 19 | <input type="checkbox"/> 19.5 | <input type="checkbox"/> 20 |
| 24"        | <input type="checkbox"/> 14.5 <sup>1</sup> | <input type="checkbox"/> 15   | <input type="checkbox"/> 15.5 | <input type="checkbox"/> 16   | <input type="checkbox"/> 16.5 | <input type="checkbox"/> 17   | <input type="checkbox"/> 17.5 | <input type="checkbox"/> 18   | <input type="checkbox"/> 18.5 | <input type="checkbox"/> 19   | <input type="checkbox"/> 19.5 | <input type="checkbox"/> 20 |                               |                             |
| 25"        | <input type="checkbox"/> 15 <sup>1</sup>   | <input type="checkbox"/> 15.5 | <input type="checkbox"/> 16   | <input type="checkbox"/> 16.5 | <input type="checkbox"/> 17   | <input type="checkbox"/> 17.5 | <input type="checkbox"/> 18   | <input type="checkbox"/> 18.5 | <input type="checkbox"/> 19   | <input type="checkbox"/> 19.5 | <input type="checkbox"/> 20   |                             |                               |                             |
| 26"        | <input type="checkbox"/> 15.5 <sup>1</sup> | <input type="checkbox"/> 16   | <input type="checkbox"/> 16.5 | <input type="checkbox"/> 17   | <input type="checkbox"/> 17.5 | <input type="checkbox"/> 18   | <input type="checkbox"/> 18.5 | <input type="checkbox"/> 19   | <input type="checkbox"/> 19.5 | <input type="checkbox"/> 20   |                               |                             |                               |                             |

<sup>1</sup> Available only with Low Profile tires

- Camber Bar Tower**
- Standard Tower \_\_\_\_\_ N/C
  - Mx Tower \_\_\_\_\_ \$100
- Standard Tower allows rear seat height adjustment up or down in 1/4" increments. 1" adjustment available; 1/2" in lowest end of range. Mx Tower required with select low seat heights or when large rear seat height adjustment range is required. Provides 3" adjustment range in 1/4" increments.**

**Rear Wheel**

| Rear Wheel Type        | Price  | Rear Wheel Size          |                          |                          |                          |
|------------------------|--------|--------------------------|--------------------------|--------------------------|--------------------------|
|                        |        | 22"                      | 24"                      | 25"                      | 26"                      |
| MAXX Performance Spoke | \$125  | <input type="checkbox"/> | <input type="checkbox"/> | <input type="checkbox"/> | <input type="checkbox"/> |
| MAXX Performance Spoke | N/C    |                          | <input type="checkbox"/> |                          |                          |
| Mag                    | N/C    | <input type="checkbox"/> | <input type="checkbox"/> |                          |                          |
| Spinergy Spox          | \$845  | <input type="checkbox"/> | <input type="checkbox"/> | <input type="checkbox"/> | <input type="checkbox"/> |
| Spinergy LX            | \$1050 | <input type="checkbox"/> | <input type="checkbox"/> | <input type="checkbox"/> | <input type="checkbox"/> |

- Spinergy Options**
- Select spoke color and handrim tab for Spinergy wheels*
- Spoke Color:
- Black  Red  White  Blue  Yellow
  - Pink <sup>1</sup>  Green <sup>1</sup>  Purple <sup>1</sup>  Orange <sup>1</sup>
- <sup>1</sup> Available only with Spinergy LX

- Handrim Tab:
- Available only with Aluminum Anodized and Plastic Coated Handrims*
- Short Tab \_\_\_\_\_ \$25
  - Long Tab \_\_\_\_\_ N/C

- Rear Tire Type**
- Full Profile**
- Street Pneumatic 1 3/8" E2211, E2212 \_\_\_\_\_ Std  
*Not available on 25" wheel size*
  - Full Poly 1 3/8" E2218 \_\_\_\_\_ \$55  
*Not available on 25" or 26" wheel sizes*
  - Pneumatic with Airless Insert 1 3/8" E2211, E2213 \_\_\_\_\_ \$85  
*Not available on 25" wheel size*
  - Schwalbe HS-127 1 3/8" E2211, E2212 \_\_\_\_\_ \$125  
*Available only on 24" wheel size. Not available on Mag wheel.*
  - Euro Trek Knobby 1 3/8" E2211, E2212 \_\_\_\_\_ \$95  
*Available only on 24" wheel size*
  - Mountain 2" Black E2211, E2212 \_\_\_\_\_ \$125  
*Available only on 22", 24" and 25" MAXX Performance and Spinergy wheels*
- Low Profile**
- Low Poly 1" E2218 \_\_\_\_\_ N/C  
*Not available on 25" or 26" wheel sizes or 350 lb Weight Capacity*
  - Sentinel Solid Tire 1" E2218 \_\_\_\_\_ \$95  
*Not available on 22" Mag wheel*
  - High Pressure 1" E2211, E2212 \_\_\_\_\_ \$80  
*Not available on Mag wheel*
  - Schwalbe Marathon Plus Evolution 1" E2211, E2212 \_\_\_\_\_ \$140  
*Not available on Mag wheel or 22" wheel size*

## Rear Seat Height and Wheels continued

### Handrim

#### Standard Handrims

- Aluminum Anodized \_\_\_\_\_ Std
- Plastic Coated \_\_\_\_\_ \$112
- Projection (8 Vertical Projections) \_\_\_\_\_ \$325  
*Available only with full profile tires in combination with MAXX Performance or 24" Mag wheel. Not Available with 25" wheels.*
- Omit Handrim \_\_\_\_\_ N/C

#### Natural Fit Handrims

**Not available on 20" wheel size or 22" Mag wheel. Not recommended with Mag wheel.**

- Natural Fit LT Regular Grip \_\_\_\_\_ \$465
- Natural Fit Standard Regular Grip \_\_\_\_\_ \$445
- Natural Fit LT Super Grip \_\_\_\_\_ \$515
- Natural Fit Standard Super Grip \_\_\_\_\_ \$495
- Natural Fit LT Omit Grip \_\_\_\_\_ \$395
- Natural Fit Standard Omit Grip \_\_\_\_\_ \$375

#### Handrim Option

- 3M Micro Grip \_\_\_\_\_ \$65  
*Not available on Plastic Coated or Projection Handrims*

### Axle

- Quick Release \_\_\_\_\_ Std
- Quad Quick Release \_\_\_\_\_ \$185  
*Not available with Mag or Spinergy wheels*

## Wheel Locks

### Wheel Lock

- Push to Lock \_\_\_\_\_ Std
- Push to Lock Flush Mount \_\_\_\_\_ N/C
- Pull to Lock \_\_\_\_\_ N/C
- Under Seat Scissor Lock \_\_\_\_\_ N/C
- Low Profile Scissor Lock \_\_\_\_\_ \$65  
*Not available with Low Poly, Full Poly or Sentinel Solid tires*
- Short Thro Scissor Lock \_\_\_\_\_ \$110
- Omit Wheel Locks \_\_\_\_\_ N/C

## Armrests

### Armrest

- Height Adjustable T-Arm (8.5" - 13.5") E0973  
*1.5" minimum Rear Wheel Spacing*
- Desk \_\_\_\_\_ \$325
  - Full \_\_\_\_\_ \$325
- Height Adjustable T-Arm Low (7.5" - 11.5") E0973  
*1.5" minimum Rear Wheel Spacing*
- Desk \_\_\_\_\_ \$325
  - Full \_\_\_\_\_ \$325

### Center of Gravity Preset

**Measured from front of back post to center of rear axle. 0" indicates axle will be directly under back post. See reference J on page 6.**

| Amputee Positions              |                                 |                              |                                |
|--------------------------------|---------------------------------|------------------------------|--------------------------------|
| <input type="checkbox"/> -1.5" | <input type="checkbox"/> -1.25" | <input type="checkbox"/> -1" | <input type="checkbox"/> -.75" |
| <input type="checkbox"/> -.5"  | <input type="checkbox"/> -.25"  | <input type="checkbox"/> 0"  | <input type="checkbox"/> .25"  |

### Standard Positions

|                               |                                |                             |                                |
|-------------------------------|--------------------------------|-----------------------------|--------------------------------|
| <input type="checkbox"/> .5"  | <input type="checkbox"/> .75"  | <input type="checkbox"/> 1" | <input type="checkbox"/> 1.25" |
| <input type="checkbox"/> 1.5" | <input type="checkbox"/> 1.75" | <input type="checkbox"/> 2" | <input type="checkbox"/> 2.25" |
| <input type="checkbox"/> 2.5" | <input type="checkbox"/> 2.75" | <input type="checkbox"/> 3" | <input type="checkbox"/> 3.25" |
| <input type="checkbox"/> 3.5" | <input type="checkbox"/> 3.75" | <input type="checkbox"/> 4" | <input type="checkbox"/> 4.25" |

### Rear Wheel Spacing

**Measured from outside of back to inside of rear tire. Adjustable out 1/2" from setting. 1.5" minimum Rear Wheel Spacing with Height Adjustable T-Arm Armrest. 1" minimum Rear Wheel Spacing with 0° Rear Wheel Camber. See reference K on page 6.**

- .75"     1"     1.25"     1.5"     1.75"

### Rear Wheel Camber

- 0°     2°     4°     6°     8°

### Wheel Lock Options

- Extension Handles E0961 \_\_\_\_\_ \$77  
*Available only with Push to Lock or Pull to Lock Wheel Locks*
- Grade Aids E0974 \_\_\_\_\_ \$150  
*Available only with Push to Lock Wheel Locks and Pneumatic or Pneumatic with Airless Insert tires*

## Side Guards

*Not available with T-Arms or Swing Away with Side Guard Armrests*

### Direct Mount

- Composite Side Guards - Direct Mount Receiver K0108 \_\_\_ \$150
- Aluminum Straight K0108
  - Black Matte \_\_\_\_\_ \$195
  - Match Frame Color \_\_\_\_\_ \$245
- Aluminum Adjustable Fender with Foam Pad K0108  
*Not available with Adjustable Depth greater than 1/2"*
  - Black Matte \_\_\_\_\_ \$275
  - Match Frame Color \_\_\_\_\_ \$325
- Carbon Fiber Adjustable Fender K0108 \_\_\_\_\_ \$485  
*Not available with Adjustable Depth greater than 1/2"*

### Clamp-On Mount

- Composite Side Guards - Clamp-on Receiver K0108 \_\_\_\_\_ \$175
- Aluminum Straight K0108
  - Black Matte \_\_\_\_\_ \$225
  - Match Frame Color \_\_\_\_\_ \$275
- Aluminum Adjustable Fender with Foam Pad K0108
  - Black Matte \_\_\_\_\_ \$305
  - Match Frame Color \_\_\_\_\_ \$355
- Carbon Fiber Adjustable Fender K0108 \_\_\_\_\_ \$515

### Fabric Side Guard

*Not available when omitting Back Upholstery*

- Fabric Side Guards K0108 \_\_\_\_\_ \$95

## Accessories

### Anti-Tip

- Rear Anti-Tips E0971 \_\_\_\_\_ \$150
- Omit Rear Anti-Tips \_\_\_\_\_ N/C

### Calf Strap

- Velcro Adjustable K0038 \_\_\_\_\_ \$42
- Padded Velcro Adjustable K0038 \_\_\_\_\_ \$68
- Bodypoint Padded AeroMesh K0038 \_\_\_\_\_ \$118

### Pelvic Positioning Belt

- 1 1/2" Auto Buckle E0978 \_\_\_\_\_ \$80
- 1 1/2" Padded Auto Buckle E0978 \_\_\_\_\_ \$170
- 2" Airline Buckle E0978 \_\_\_\_\_ \$110
- Bodypoint Evoflex - Pelvic Stabilizer E0978 \_\_\_\_\_ \$188  
 Size:  Small (16-24")  Medium (19-29")  Large (25-37")

### Belt Mounting Kit

- Ki Mobility Belt Mounting Clamp \_\_\_\_\_ \$35
- Bodypoint Belt Mounting Bracket Kit \_\_\_\_\_ \$108

### Other Accessories

- Tool Kit \_\_\_\_\_ \$45
- Removable Underseat Pouch \_\_\_\_\_ \$50
- Ki Mobility Backpack \_\_\_\_\_ \$65
- Luggage Carrier \_\_\_\_\_ \$85
- Black Neoprene Impact Guards \_\_\_\_\_ \$90
- Under Chair Carrier and Removable Bag \_\_\_\_\_ \$85  
*Not available with scissor locks*
- Clear Spoke Guards K0065 \_\_\_\_\_ \$115  
*Not available with Mag wheel*
- Black Spoke Guards K0065 \_\_\_\_\_ \$115  
*Not available with 20" wheel size or Mag wheel*
- Cane and Crutch Holder \_\_\_\_\_ \$195

## Frame Color

### Gloss Finish

- Black \_\_\_\_\_ N/C
- Blue Skies \_\_\_\_\_ N/C
- Bubblegum Pink \_\_\_\_\_ N/C
- Candy Blue \_\_\_\_\_ N/C
- Candy Purple \_\_\_\_\_ N/C
- Candy Red \_\_\_\_\_ N/C
- Copper \_\_\_\_\_ N/C
- Granny Smith \_\_\_\_\_ N/C
- Metallic Orange \_\_\_\_\_ N/C
- Silver \_\_\_\_\_ N/C
- Yellow \_\_\_\_\_ N/C

### Matte Finish

- Charcoal Gray \_\_\_\_\_ N/C
- Emerald Green \_\_\_\_\_ N/C
- Iridescent Burgundy \_\_\_\_\_ N/C
- Iridescent Navy \_\_\_\_\_ N/C
- Military Green \_\_\_\_\_ N/C
- Retro Red \_\_\_\_\_ N/C
- Royal Blue \_\_\_\_\_ N/C
- Shadow Black \_\_\_\_\_ N/C
- Smooth White \_\_\_\_\_ N/C

## References

### A. Seat Width See Diagram 1

Measured from outside of frame tube on one side to outside of frame tube on other side.

### B. Seat Depth See Diagram 3

Measured from front of back posts to front edge of seat sling. Seat sling starts at beginning of bend at front of frame.

### C. Sling Position See Diagram 2

In Performance Position (0°), sling is at front of frame to keep chair shorter and more maneuverable. The 1" or 2" seat sling position extends the frame in front of the sling by that amount. Adding more frame can improve stability and provide support to aid in transfers.

### D. Front Frame Bend See Diagram 3

Angle between front seat tube and ground.

### E. Footrest Taper See Diagram 1

Indicates bend of front frame creating footrest. Taper is measured from outside of seat frame to outside of front tube.

### F. Front Seat Height See Diagram 1

Measured from floor to top of seat tube at front of seat sling.

### G. Footrest Width See Diagram 1

Measured from inside of front tube to inside of front tube on other side. Footrest width is listed below for each seat width and taper.

| Seat Width          | Straight                    | 1" Taper                    | 2" Taper                    |
|---------------------|-----------------------------|-----------------------------|-----------------------------|
| Outside Measurement | 2" Narrower than Seat Width | 4" Narrower than Seat Width | 6" Narrower than Seat Width |
| 14"                 | 11.5"                       | 9.5"                        |                             |
| 15"                 | 12.5"                       | 10.5"                       |                             |
| 16"                 | 13.5"                       | 11.5"                       | 9.5"                        |
| 17"                 | 14.5"                       | 12.5"                       | 10.5"                       |
| 18"                 | 15.5"                       | 13.5"                       | 11.5"                       |
| 19"                 | 16.5"                       | 14.5"                       | 12.5"                       |
| 20"                 | 17.5"                       | 15.5"                       | 13.5"                       |
| 21"                 | 18.5"                       | 16.5"                       | 14.5"                       |
| 22"                 | 19.5"                       | 17.5"                       | 15.5"                       |

### H. Seat to Footrest Length See Diagram 3

Measured from front edge of seat sling to top rear of footrest. Footrest length of at least 2.5" shorter than front seat height recommended.

### I. Rear Seat Height See Diagram 3

Measured from floor to top of seat tube at front of back post. Rear seat height is custom to needs.

### J. Center of Gravity Preset See Diagram 3

Measured from front of back post to center of rear axle. 0" indicates axle will be directly under back post.

### K. Rear Wheel Spacing See Diagram 1

Measured from outside of seat back to inside of rear tire. Adjustable out .5" from setting.

Diagram 1

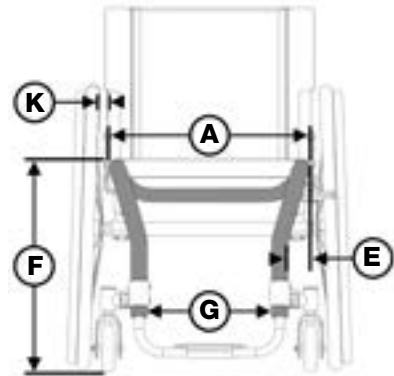


Diagram 2

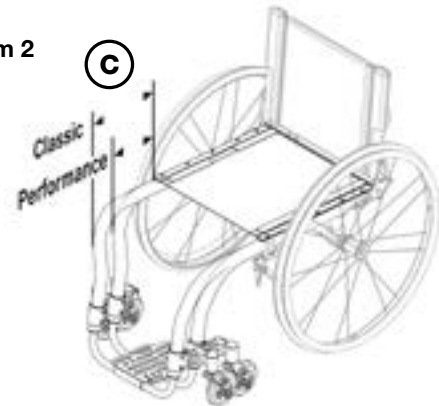


Diagram 3

