



Phone (800) 981-1540 | Fax (715) 254-0996
 sales@kimobility.com | www.kimobility.com



Company:	Ship To:
Account Number:	Date:
Quote: PO Number:	Address:
ATP:	City: State:
Marked For:	Zip: Phone:
Associated Quote/Order#:	Email/Fax:
	Effective: 1/5/2026

Rogue XP **£2851**
 Rogue Width Growable Frame, Price includes one time free growth kit
 Maximum Seat Width of 18", Transit cannot be retrofitted
 200 lb weight capacity

Frame

Seat Width	
<i>See reference A on page 8</i>	
10" [RXSWT010]	N/C
11" [RXSWT011]	N/C
12" [RXSWT012]	N/C
13" [RXSWT013]	N/C
14" [RXSWT014]	N/C
15" [RXSWT015]	N/C
16" [RXSWT016]	N/C
17" [RXSWT017]	N/C
18" [RXSWT018]	N/C

Seat Depth	
<i>See reference B on page 8</i>	
10" [RXSDE010]	N/C
11" [RXSDE011]	N/C
12" [RXSDE012]	N/C
13" [RXSDE013]	N/C
14" [RXSDE014]	N/C
15" [RXSDE015]	N/C
16" [RXSDE016]	N/C
17" [RXSDE017]	N/C
18" [RXSDE018]	N/C
19" [RXSDE019]	N/C
20" [RXSDE020]	£348

Transit Option	
Transit System [RXTRNOPT]	N/C
<i>Cannot be retrofitted</i>	
Omit [RXTRNOP2]	N/C

Seat Option	
Standard Seat Sling [RXSSS001]	N/C
Solid Seat Pan [RXACC004]	£299
Omit Seat [RXCUS003]	N/C

Sling Position	
<i>See reference C on page 8</i>	
0" (Performance) [RXSP01]	N/C
1" [RXSP03]	N/C
2" (Classic) [RXSP02]	N/C

Adjustable Depth	
<i>Adds the capability to grow seat in depth. Seat Depth plus Adjustable Depth cannot exceed 20.5".</i>	
No Rear Adjustment [RXAD05]	N/C
1/2" [RXAD06]	N/C
1" [RXAD01]	N/C
2" [RXAD02]	N/C
3" [RXAD03]	N/C

Front Frame Bend	
<i>See reference D on page 8</i>	
90° [RXFA01]	N/C
85° [RXFA03]	N/C
80° [RXFA02]	N/C
75° [RXFA04]	£167
70° [RXFA05]	£167

Backrest

Backrest							
Back Post	Price	Height Range	Back Height				
Height Adjustable (Standard or 1" Inward Offset)	N/C	Extra Short	9"	10"	11"	12"	
		Short	11"	12"	13"	14"	
		Tall	13"	14"	15"	16"	
			17"	18"			
Height Adjustable (Integrated Handle)	N/C	Short ²	13" ³	14" ³	15"	16"	17"
		Tall ²	15" ³	16" ³	17"	18"	19" ³
			20" ³	21" ³	22" ³		
Fixed Height (Straight or 1" Inward Offset)	£105	Fixed Straight ¹	9"	10"	11"	12"	13"
			14"	15"	16"	17"	18"
Fixed Height 2" Offset	£105	Fixed Offset 2" ¹	11"	12"	13"	14"	
			15"	16"	17"		

1 Uses 1" tubes compatible with after-market backs. Not available with back upholstery.
2 Push Handles not available in combination with the Height Adjustable Integrated Handle
3 Not available with Back Upholstery

Rigidizer Bar Mounted Push Handle

Bolt-On Push Handle [RXBOP005]	£196
Ergo Stroller Handle [RXBCK009]	N/C
Single Stroller Handle [RXBOP007]	N/C
Double Stroller Handle [RXBOP006]	£244
<i>Not available with 10" - 11" Seat Widths</i>	

Seat Back Angle

Standard is 90° (perpendicular to floor). Minus (-°) closes back angle. Plus (+°) opens back angle.

Standard [RXSBA001]	-2° [RXSBA014]	+2° [RXSBA009]
-4° [RXSBA015]	+4° [RXSBA010]	-6° [RXSBA016]
+6° [RXSBA011]	-8° [RXSBA017]	+8° [RXSBA012]
-10° [RXSBA018]	+10° [RXSBA013]	N/C

Back Upholstery Options

If selecting both upholstery and Axiom Back, the upholstery will be installed

Padded Velcro Adjustable with Standard Cover [RXBUP001]	N/C
Padded Velcro Adjustable with Air Mesh Breathable Cover [RXBUP006]	N/C
<i>Not available on chair widths less than 12"</i>	
Tension Adjustable with Standard Cover [RXBUP002]	N/C
Tension Adjustable with Air Mesh Cover [RXBUP007]	£209
<i>Not available on chair widths less than 12"</i>	
Omit [RXBUP003]	N/C

Back Post Option

Standard - No Offset [RXOBO004]	N/C
1" Inward Offset [RXOBO003]	N/C
<i>Each Offset Back Post is offset 1/2" creating 1" overall offset</i>	
2" Inward Offset [RXOBO001]	N/C
<i>Not available with Height Adjustable Back Post. Each Inward Offset Back Post is offset 1" creating 2" overall offset.</i>	
2" Outward Offset [RXOBO002]	N/C
<i>Not available with Height Adjustable Back Post of Swing Away Armrest. Each Outward Offset Back Post is offset 1" creating 2" overall offset.</i>	
Height Adjustable Integrated Handle [RXBCK010]	£209
<i>Defaults to Standard - No Offset</i>	

Push Handle

Omit Push Handle [RXBCK008]	N/C
Standard Push Handle [RXBCK004]	N/C
Fold Down Push Handle [RXBCK006]	£182
Low Profile Push Handle [RXBCK007]	£150

Front Seat Height and Casters

Caster Size / Footrest Taper / Front Seat Height

Select Footrest Taper (reference E, p.8), Caster Size then Front Seat Height (reference F, p.8) in the corresponding row. 6" casters not available with 85° and 90° Front Frame Bend. 1" Taper is not available with 70° Front Frame bend.

Footrest Taper	Caster Size	Front Seat Height														
		3"	13.5"	14"	14.5"	15"	15.5"	16"	16.5"	17"	17.5"	18"	18.5"	19"	19.5"	20"
Straight [RXFT00]	3"	13.5"	14"	14.5"	15"	15.5"	16"	16.5"	17"	17.5"	18"	18.5"	19"	19.5"	20"	20.5"
	4"	14"	14.5"	15"	15.5"	16"	16.5"	17"	17.5"	18"	18.5"	19"	19.5"	20"	20.5"	
	5"	14.5"	15"	15.5"	16"	16.5"	17"	17.5"	18"	18.5"	19"	19.5"	20"	20.5"		
	6"	15"	15.5"	16"	16.5"	17"	17.5"	18"	18.5"	19"	19.5"	20"	20.5"			
1" Taper [RXFT01]	3"	16.5"	17"	17.5"	18"	18.5"	19"	19.5"	20"	20.5"						
	4"	17"	17.5"	18"	18.5"	19"	19.5"	20"	20.5"							
	5"	17.5"	18"	18.5"	19"	19.5"	20"	20.5"								
	6"	18"	18.5"	19"	19.5"	20"	20.5"									

Casters

Caster Type	Description	Price	Caster Size			
			3"	4"	5"	6"
Caster Type	.75" Rollerblade	N/C	[RXCAS002]	[RXCAS004]		
	.75" Lighted Rollerblade	£93	[RXCAS001]	[RXCAS005]		
	1.25" Soft Roll	N/C		[RXCAS006]	[RXCAS010]	[RXCAS014]
	1" Poly Aluminum	£110		[RXCAS007]	[RXCAS011]	
	1" Pneumatic	N/C				[RXCAS017]
	1.5" Soft Roll	N/C		[RXCAS032]	[RXCAS025]	[RXCAS026]
	1.5" Soft Roll Aluminum	£110	[RXCAS003]	[RXCAS009]	[RXCAS013]	[RXCAS016]

Fork Options

Standard Fork [RXFRK001]	N/C
Single Sided Fork [RXFRK003]	£237
Frog Legs II Suspension System [RXCST014]	£488

Not included in Colored Anodizing Package

Footrest

Footplates

Tubular "Open" Footplate [RXFPL004]	N/C
<i>Not available with footrest widths less than 9.5". See Reference G on page 8.</i>	
Tubular Footplate with ABS Cover [RXFPL005]	£105
<i>Not available with footrest widths less than 9.5". See Reference G on page 8.</i>	
Aluminum Angle Adjustable [RXFPL006]	£209
Aluminum Angle Adjustable with Riser [RXFPL007]	£209
High Mount Aluminum Angle Adjustable [RXFPL008]	£209
Angle Adjustable Flip Under [RXFPL012]	£258
<i>Not available with footrest widths less than 9.5". See Reference G on page 8.</i>	
High Mount Angle Adjustable Flip Under [RXFPL011]	£313
<i>Not available with footrest widths greater than 15.5". See Reference G on 8.</i>	
Hybrid Angle Adjustable [RXFPL015]	£132
Hybrid Angle Adjustable with Wings [RXFPL016]	£132

Footrest Protector

Footrest Protector [RXACC020]	N/C
<i>Available only with Tubular Footplates</i>	

Seat to Footrest Length

See reference H on p. 8. Should be at least 2.5" shorter than Front Seat Height.

8"	8.5"	9"	9.5"	10"	10.5"
11"	11.5"	12"	12.5"	13"	13.5"
14"	14.5"	15"	15.5"	16"	16.5"
17"	17.5"	18"	18.5"	19"	19.5"

Rear Seat Height and Wheels

Rear Seat Height

Select Rear Seat Height (reference I, p. 8) in row corresponding to desired Wheel Size. Selection is required.

Wheel	Rear Seat Height															
18"	11.5" ¹	12"	12.5"	13"	13.5"	14"	14.5"	15"	15.5"	16"	16.5"	17"	17.5"	18"	18.5"	19"
20"	12.5" ¹	13"	13.5"	14"	14.5"	15"	15.5"	16"	16.5"	17"	17.5"	18"	18.5"	19"	19.5"	20"
22"	13.5" ¹	14"	14.5"	15"	15.5"	16"	16.5"	17"	17.5"	18"	18.5"	19"	19.5"	20"		
24"	14.5" ¹	15"	15.5"	16"	16.5"	17"	17.5"	18"	18.5"	19"	19.5"	20"				
25"	15" ¹	15.5"	16"	16.5"	17"	17.5"	18"	18.5"	19"	19.5"	20"					

¹ Available only with Low Profile tires

One Arm Drive

One Arm Drive - Quick Release [RXDRV007] £973

Not available with 10" seat width. Only available with 20", 22" and 24" spoke wheels and Quick Release Axles. Spoke wheel style is exclusive to OAD. Limitations exist based on rear wheel spacing, camber and armrest selections.

Left Side Drive [RXDRV002] N/C

Right Side Drive [RXDRV003] N/C

Aluminum Drive Handrim [RXDRV004] N/C

Poly Coated Drive Handrim [RXDRV005] £244

Wheels

No selection needed with One Arm Drive

		Rear Wheel Size					
		Price	18"	20"	22"	24"	25"
Rear Wheel Type	Maxx Spoke	N/C	[RXWH1118]	[RXWH1120]	[RXWH1122]	[RXWH1124]	[RXWH1125]
	Mag	£139		[RXWH1220]	[RXWH1222]	[RXWH1224]	
	Colored Mag ²	£209		[RXWH1320]	[RXWH1322]	[RXWH1324]	
	Superlight Spoke	£139				[RXWHE224]	[RXWHE225] ¹
	Spinergy Spox	£480		[RXWHE420]	[RXWHE422]	[RXWHE424]	[RXWHE425]
	Spinergy LX	£550			[RXWHE522]	[RXWHE524]	[RXWHE525]

¹ Available only with Superlight and Plastic Coated Handrims

² Mag color selection is on page 7

Spinergy Options

Select spoke color for Spinergy wheels

Black Spokes [RXSSC001] N/C

Red Spokes [RXSSC002] White Spokes [RXSSC003]

Blue Spokes [RXSSC005] £105

Rear Tire Type

Full Profile

Street Pneumatic 1 3/8" [RXTIRO01] £209
 Not available on 25" wheel size

Full Poly 1 3/8" [RXTIRO02] N/C
 Not available on Superlight wheel or 25" wheel size

Pneumatic with Airless Insert 1 3/8" [RXTIRO04] £127
 Not available on Superlight wheel or 25" wheel size

Schwalbe HS-127 1 3/8" [RXTIRO17] £127
 Available only on 24" wheel size

Mountain 2" Black [RXTIRO09] £174
 Available only on 22", 24" and 25" MAXX Spoke and Spinergy wheels

Low Profile

Low Poly 1" [RXTIRO03] £127
 Not available on Superlight wheel or 25" wheel size

Sentinel Solid Tire 1" [RXTIRO05] £127
 Not available on Superlight wheel

High Pressure 1" [RXTIRO06] N/C
 Not available on Mag wheel or 18" wheel size

Schwalbe One 1" [RXTIRO18] £127
 Available only on 24" and 25" wheel sizes. Not available on Mag wheel.

Schwalbe Marathon Plus Evolution 1" [RXTIRO10] £127
 Available only on 24" and 25" wheel sizes. Not available on Mag wheel.

Handrims

Standard Handrims

Aluminum Anodized [RXHRM001]	N/C
Superlight Aluminum Anodized [RXHRM010]	N/C
<i>Available only on 24" and 25" wheel sizes. Available only on MAXX Spoke, Superlight or Spinergy wheels. Not available with One Arm Drive.</i>	
Plastic Coated [RXHRM002]	£139
Projection (8 Vertical Projections) [RXHRM003]	£383
<i>Available only with full profile tires in combination with 22" and 24" MAXX Spoke wheels, or 22" and 24" Mag wheels</i>	
Omit Handrim [RXHRM012]	N/C

Ergonomic Handrims

Not available with 20" wheels

Ergo Lite Regular Grip [RXHRM005]	£313
Ergo Standard Regular Grip [RXHRM008]	£313
Ergo Lite Extra Grip [RXHRM006]	£313
Ergo Standard Extra Grip [RXHRM009]	£313
Ergo Lite Omit Grip [RXHRM004]	£313
Ergo Standard Omit Grip [RXHRM007]	£313

Center of Gravity Presets

2" minimum Center of Gravity with 5th Wheel and One Arm Drive. See reference J on page 8.

Amputee Positions					
-1.5"	-1.25"	-1"	-.75"	-.5"	-.25"
0"	.25"				
Standard Positions					
.5"	.75"	1"	1.25"	1.5"	1.75"
2"	2.25"	2.5"	2.75"	3"	3.25"
3.5"	3.75"	4"	4.25"		

Wheel Locks

Wheel Locks

Push to Lock [RXWLK002]	N/C
Push to Lock Flush Mount [RXWLK001]	N/C
Pull to Lock [RXWLK003]	N/C
Omit [RXWLK008]	N/C
Under Seat Scissor Lock [RXWLK007]	£43
Low Profile Scissor Lock [RXWLK012]	£139
<i>Not available with Full Poly tires</i>	
Drum Brake [RXWLK015]	£612
<i>Available only with 20", 22" and 24" MAXX Spoke wheels. Not available with Low Profile or Fold Down Push Handles, or Ergo and Single Stroller Handles without integrated push handles. Axle is Quick Release.</i>	

Handrim Option

Handrim Mount

If no selection is made, Standard Mount will be used

Close Mount [RXTAB001]	N/C
<i>Reduces overall width by .75"</i>	

Micro-Grip

3M Micro Grip [RXACC006]	£105
<i>Not available on Plastic Coated or Projection Handrims</i>	

Axles

No selection needed with One Arm Drive or Drum Brake

Quick Release [RXAXO003]	N/C
Quad Quick Release [RXAXO001]	£209
<i>Not available with Mag or Spinergy wheels</i>	

Rear Wheel Camber

The following apply if One Arm Drive is selected: 6° and 8° not available. 4° not available with T-Arms. 0° required with the combination of a 5th Wheel and Seat Widths less than 16".

0° [RXWC00]	2° [RXWC02]	4° [RXWC04]	6° [RXWC06]	
8° [RXWC08]				N/C

Rear Wheel Spacing

1.5" minimum with T-Arms. 1.25" minimum with Spinergy Wheels. 1.75" minimum with One Arm Drive and T-Arms. See Reference K on page 8.

0.75" [RXWS075]	1" [RXWS100]	1.25" [RXWS125]	
1.5" [RXWS150]	1.75" [RXWS175]		N/C

Wheel Lock Options

Extension Handles [RXWLK004]	£56
<i>Available only with Push to Lock or Pull to Lock Wheel Locks</i>	
Grade Aids [RXWLK009]	£167
<i>Available only with Push to Lock Wheel Locks and Pneumatic or Pneumatic with Airless Insert tires</i>	

Armrests

Armrest Type	Length		Price
Height Adjustable T-Arm Tall (11.5"-15") ¹	Desk	[RXARM039]	£244
	Full	[RXARM040]	
Height Adjustable T-Arm (8.5"-13.5") ¹	Desk	[RXARM003]	£244
	Full	[RXARM004]	
Height Adjustable T-Arm Low (6.5"-10.5") ²	Desk	[RXARM022]	£244
	Full	[RXARM023]	
Angle Adjustable Locking Extendable Flip Up ³	Desk	[RXARM010]	£306
	Full	[RXARM011]	

- ¹ Not available with Seat Depths less than 13". 1.5" minimum Rear Wheel Spacing
² Not available with Seat Depths less than 12". 1.5" minimum Rear Wheel Spacing. If requested configuration is unavailable, Standard Height T-Arm will be used.
³ Requires Fixed Height Backrest. Not available with backrest heights less than 12"
⁴ Not available with Arm Pads or Outward Offset Back Posts. If selection is not available with rear wheel and rear seat height configuration, then Tall Swing Away armrest will be used.
⁵ Not available with Arm Pads or Outward Offset Back Posts
⁶ Includes Composite Side Guard with Direct Mount Receiver. Not available with Arm Pads or Outward Offset Back Posts. If selection is not available with rear wheel and rear seat height configuration, then Tall Swing Away with Side Guard armrest will be used.
⁷ Includes Composite Side Guard with Direct Mount Receiver. Not available with Arm Pads or Outward Offset Back Posts.

Armrest Type		Price
Short Swing Away (7" - 9") ⁴	[RXARM001]	£293
Tall Swing Away (9.25" - 11.25") ⁵	[RXARM021]	£293
Short Swing Away with Side Guards (7"-9") ⁶	[RXARM027]	£293
Tall Swing Away with Side Guards (9.25" - 11.25") ⁷	[RXARM028]	£293
Omit Armrests	[RXARM007]	N/C

Arm Pads

Standard Arm Pad [RXARM026]	N/C
Waterfall Arm Pad [RXARM020]	£35
<i>Not available with Angle Adjustable Locking Extendable Flip Up Armrest</i>	
Foam Grip [RXARM025]	N/C
<i>Available only with Angle Adjustable Locking Extendable Flip Up Armrest</i>	

Side Guards

Direct Mount Side Guards

Not available with T-Arms or Swing Away with Side Guard Armrests

Composite Side Guards [RXSDG002]	N/C
<i>12" minimum Seat Depth</i>	
Aluminum Straight - Black Matte [RXSDG024]	£244
<i>12" minimum Seat Depth</i>	
Aluminum Straight - Match Frame Color [RXSDG025]	£313
<i>12" minimum Seat Depth</i>	
Aluminum Adjustable Fender w/Foam Pad - Black Matte [RXSDG014]	£340
<i>Not available with Adjustable Depth greater than 1/2"</i>	
Aluminum Adjustable Fender w/Foam Pad - Match Frame Color [RXSDG015]	£411
<i>Not available with Adjustable Depth greater than 1/2"</i>	
Carbon Fiber Adjustable Fender [RXSDG013]	£452
<i>Not available with Adjustable Depth greater than 1/2"</i>	

Side Guard Spacer

Option must be selected when ordering Side Guards. Available only with 1.75" Rear Wheel Spacing.

No Side Guard Spacers [RXSGS001]	N/C
----------------------------------	-----

Clamp-On Mount Side Guards

Not available with T-Arms or Swing Away with Side Guard Armrests

Composite Side Guards [RXSDG004]	£229
<i>12" minimum Seat Depth</i>	
Composite Side Guards - Pediatric [RXSDG007]	£229
Aluminum Straight - Black Matte [RXSDG020]	£244
<i>12" minimum Seat Depth</i>	
Aluminum Straight - Match Frame Color [RXSDG023]	£313
<i>12" minimum Seat Depth</i>	
Aluminum Adjustable Fender w/Foam Pad - Black Matte [RXSDG017]	£340
Aluminum Adjustable Fender w/Foam Pad - Match Frame Color [RXSDG018]	£411
Carbon Fiber Adjustable Fender [RXSDG016]	£452

Accessories

5th Wheel

Rotating removable rear caster. Not available with 25" rear wheel.

Standard 5th Wheel [RXATP002]	£233	
Dynamic 5th Wheel [RXATP004]	N/C	
Soft Elastomer [RXELA001]	Firm Elastomer [RXELA002]	N/C

Both elastomers are included; the selected elastomer will be installed

Anti - Tips

User Activated not available with One Arm Drive

Rear Anti-Tips (E0971) [RXATP001]	£102
User Activated - Pair [RXATP012]	£397
User Activated - Left [RXATP010]	£199
User Activated - Right [RXATP011]	£199
Omit [RXATP000]	N/C

Pelvic Positioning Belts

1" Auto Buckle Pelvic Positioning Belt [RXPOB004]	£63
1" Padded Auto Buckle Pelvic Positioning Belt [RXPOB005]	£174
1 1/2" Auto Buckle Pelvic Positioning Belt [RXPOB001]	£63
1 1/2" Padded Auto Buckle Pelvic Positioning Belt [RXPOB002]	£174
Small Flex-Mount Positioning Belt (16-24") [RXPOB007]	£216
Medium Flex-Mount Positioning Belt (19-29") [RXPOB008]	£216
Large Flex-Mount Positioning Belt (25-37") [RXPOB009]	£216

Belt Mounting Kit

Ki Mobility Belt Mounting Clamp [RXACC023]	£43
Belt Mounting Bracket [RXACC013]	£118

Upper Extremity Support Tray

3/8" Polycarbonate with ABS ribs. Hardware ordered separately. BC = Body Cut Out. Armrest assembly is required for tray mounting.

Tray	Fits Chair	Retail
Tray, X-Small 21" x 18" (BC 10" x 7") [RXTRY001]	8" - 12"	N/C
Tray, Small 22" x 20" (BC 13" x 8") [RXTRY002]	10" - 14"	N/C
Tray, Medium 24" x 22" (BC 15" x 9") [RXTRY003]	12" - 16"	N/C
Tray, Large 26" x 24" (BC 17" x 10") [RXTRY004]	14" - 18"	N/C
Tray, X-Large 28" x 26" (BC 18" x 10") [RXTRY005]	16" - 20"	N/C
Tray Hardware Assy, Knob Release - Pair [RX123534]		N/C

Calf Strap

Velcro Adjustable [RXACC002]	£43
Padded Velcro Adjustable [RXACC003]	£77
Padded Airmesh Calf Strap [RXACC010]	£118

Other Accessories

Tool Kit [RXACC005]	£23
Removable Underseat Pouch [RXACC015]	£35
Pediatric Ki Mobility Backpack [RXACC026]	£84
Ki Mobility Backpack [RXACC009]	£84
Luggage Carrier [RXACC025]	£84
Black Neoprene Impact Guards [RXIMG001]	£99
Cane and Crutch Holder [RXACC007]	£105

Color

Frame Color

Frame/Accent: Select desired frame and accent colors. If no accent color from Package 1 is selected, frame color will be used. Touch-up paint is available for purchase through the parts manual.

Options	Price	Colors																				
		Gloss										Matte										
		Black	Ruby Red	Radiant Orange	Yellow	Electric Green	Rich Teal	Glacier Blue	Blue Steel	Deep Sapphire Blue	Purple Plum	Opalescent Violet	Dark Pink	Light Pink	Champagne	Shadow Black	Iridescent Navy	Bright Red	Tactical Green	Dry Earth Tan	Platinum	White
Frame	N/C																					
Color Accent Package 1 ¹	N/C																					
Color Accent Package 2 ²	N/C																					
Mag Color																						
Color Anodizing Package ³	Black	Blue	BrightGreen	Orange	Pewter	Pink	Purple	Red	Gold													
	N/C	£189	£189	£189	£189	£189	£189	£189	£189													

¹ Includes backrest rigidizer bar

² Includes backplates, towers, tower clamps, and camber tube

³ Included in Colored Anodizing Package: Backrest plates, camber tube (not available with Wheelchair Drive Ready selection), towers, CG clamps (not available with negative Center of Gravity or Wheelchair Drive Ready selections), side guard receivers, RP tuning housing, front caster forks (standard or Single Sided) and Dynamic 5th Wheel split clamp. Extended lead-time may apply

References

A. Seat Width See Diagram 1

Measured from outside of frame tube on one side to outside of frame tube on other side.

B. Seat Depth See Diagram 3

Measured from front of back posts to front edge of seat sling. Seat sling starts at beginning of bend at front of frame.

C. Sling Position See Diagram 2

In Performance Position (0°), sling is at front of frame to keep chair shorter and more maneuverable. The 1" or 2" seat sling position extends the frame in front of the sling by that amount. Adding more frame can improve stability and provide support to aid in transfers.

D. Front Frame Bend See Diagram 3

Angle between front seat tube and ground.

E. Footrest Taper See Diagram 1

Indicates bend of front frame creating footrest. Taper is measured from outside of seat frame to outside of front tube.

F. Front Seat Height See Diagram 1

Measured from floor to top of seat tube at front of seat sling.

G. Footrest Width See Diagram 1

Measured from inside of front tube to inside of front tube on other side. Footrest width is listed below for each seat width and taper.

Seat Width	Straight	1" Taper
Outside Measurement	2" Narrower than Seat Width	4" Narrower than Seat Width
10"	7.5"	
11"	8.5"	
12"	9.5"	7.5"
13"	10.5"	8.5"
14"	11.5"	9.5"
15"	12.5"	10.5"
16"	13.5"	11.5"
17"	14.5"	12.5"
18"	15.5"	13.5"

H. Seat to Footrest Length See Diagram 3

Measured from front edge of seat sling to top rear of footrest. Footrest length of at least 2.5" shorter than front seat height recommended.

I. Rear Seat Height See Diagram 3

Measured from floor to top of seat tube at front of back post. Rear seat height is custom to needs.

J. Center of Gravity Preset See Diagram 3

Measured from front of back post to center of rear axle. 0" indicates axle will be directly under back post.

K. Rear Wheel Spacing See Diagram 1

Measured from outside of seat back to inside of rear tire. Adjustable out .5" from setting.

Diagram 1

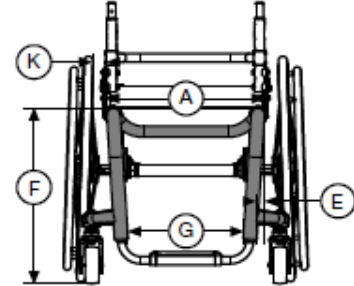


Diagram 2

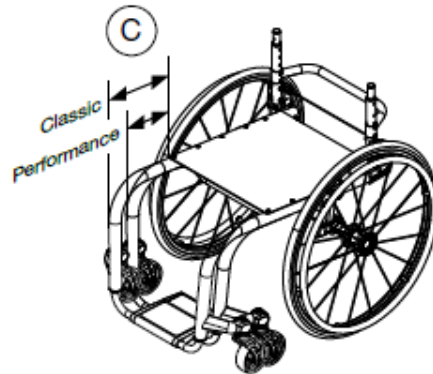


Diagram 3

