



Etac UK 0(121)561-2222 | orders.uk@etac.com |
www.kimobility.com | www.etac.com

Company:

Ship To:

Account Number:

Date:

Address:

Quote: PO Number:

City:

State:

ATP:

Zip:

Phone:

Marked For:

Email/Fax:

Associated Quote/Order#:

[Submit Form](#)

Effective: 1/10/2024

Little Wave Flip XP-Rigid Base [PTRGD] £3250
165 lb weight capacity Price includes one time free growth kit Tilt range: 0° - 45°
Maximum Seat Width of 18"

Little Wave Flip XP-Folding Base [PTFLD] £3250
165 lb weight capacity Price includes one time free growth kit Tilt range: 0° - 45°
Maximum Seat Width of 18"

Frame

Frame Width

Select box corresponding to desired Frame Width.

10" [PTSWT010]	N/C
11" [PTSWT011]	N/C
12" [PTSWT012]	N/C
13" [PTSWT013]	N/C
14" [PTSWT014]	N/C
15" [PTSWT015]	N/C
16" [PTSWT016]	N/C
17" [PTSWT017]	N/C
18" [PTSWT018]	N/C

Transit Option

Transit System [PTTRNOPT]	£296
<i>No charge when selected with Base Options with Transit Included</i>	
Omit Transit [PTTRNOP2]	N/C

Offset Hanger Option

Offset Hanger [PTHAN015]	£37
<i>Available only with Rigid Base.</i>	

Tilt Mechanism

Hand Tilt [PTTLT002]	N/C
Foot Tilt [PTTLT004]	N/C

Seat Pan

Growing Solid Seat Pan [PTACC004]	N/C
Omit Seat Pan [PTACC021]	N/C

Frame Depth

Select Frame Depth within desired Frame Depth Range.

Frame	Frame Depth				
Short 12" - 16" [PTFDR004]	12 [PTFDE012] N/C	13 [PTFDE013] N/C	14 [PTFDE014] N/C	15 [PTFDE015] N/C	16 [PTFDE016] N/C
Medium 14" - 18" [PTFDR005]	14 [PTFDE014] N/C	15 [PTFDE015] N/C	16 [PTFDE016] N/C	17 [PTFDE017] N/C	18 [PTFDE018] N/C
Long 16" - 20" [PTFDR006]	16 [PTFDE016] N/C	17 [PTFDE017] N/C	18 [PTFDE018] N/C	19 [PTFDE019] N/C	20 [PTFDE020] N/C

Backrest

Back Post / Height Range / Back Height

Stroller Handle Back Post (Short 20") [PTBOP016]	£110
Stroller Handle Back Post (Tall 24") [PTBOP017]	£110
Fixed Height Back with Adjustable Handle (Short 22") [PTBOP030]	N/C
<i>Not available with Dynamic Back</i>	
Fixed Height Back with Adjustable Handle (Tall 26") [PTBOP031]	N/C
<i>Not available with Dynamic Back</i>	
Reclining Back with Adjustable Handle (Short 22") (Non-Folding) (E1225) [PTBOP020]	£876
<i>Not available with Dynamic Back or Rigidizer Bar. Available only with Attendant Foot Lock. Minimum Seat Height of 15" with 12" Mag wheel and 16" with 16" Mag wheel.</i>	
Reclining Back with Adjustable Handle (Tall 26") (Non-Folding) (E1225) [PTBOP021]	£876
<i>Not available with Dynamic Back or Rigidizer Bar. Available only with Attendant Foot Lock. Minimum Seat Height of 15" with 12" Mag wheel and 16" with 16" Mag wheel.</i>	
Adjustable Height Back with Adjustable Handle (Short 18" - 25") [PTBOP018]	N/C
<i>Not available with Dynamic Back</i>	
Adjustable Height Back with Adjustable Handle (Tall 20" - 27") [PTBOP019]	N/C
<i>20"-22" Heights not available with Dynamic Back</i>	

Adjustable Height Back Post Height

18" Back Height [PTBRH180]	19" Back Height [PTBRH190]
20" Back Height [PTBRH200]	21" Back Height [PTBRH210]
22" Back Height [PTBRH220]	23" Back Height [PTBRH230]
24" Back Height [PTBRH240]	25" Back Height [PTBRH250]
26" Back Height [PTBRH260]	27" Back Height [PTBRH270] N/C

Stroller Handle Back Post Option

Available only with Stroller Handle Back Post.

Removable Stroller Handle Extension [PTBOP012]	£121
--	------

Other Backrest Options

Non Folding Back [PTBCK005]	N/C
<i>Standard with Dynamic Back.</i>	
Dynamic Back (Non-Folding) (E2398) [PTBOP014]	£1932
<i>Not available with Flip Up Armrests. Available only with Non Folding Back.</i>	
Adjustable Height Rigidizer Bar [PTBCK001]	£73

Footrest

Footrest Hanger Type

Hanger	70°	80°	90°		Retail
Extension Tube Mount	[PTHAN002]	[PTHAN003] ¹			N/C
Front Mount	[PTHAN016]	[PTHAN017] ¹	[PTHAN004] ¹		N/C
Pro Elevating Leg Rests				[PTHAN044]	£285
Pediatric Pro Elevating Leg Rests ²				[PTHAN045]	£285
Omit Hangers				[PTHAN046]	N/C

¹ Not available with 8" casters

² Not available with Frame Widths less than 14" without Offset Hangers or Frame Widths less than 12" with Offset Hangers

PRO ELR Cover

Available only on PRO ELR.

Gel Pad Covers (PAIR) [PTELRPAD]	£304
----------------------------------	------

Hanger Extension Tubes

Available only with Front Mount Hangers.

3" Extension [PTEXT008]	£49
3" Extension (Provided as Parts) [PTEXT018]	£49

Seat to Footrest Length

Select Extension and Seat to Footrest Length in row corresponding to desired Footrest. Footrest Length of at least 2.5" shorter than Front Seat Height recommended. Extension Tube Hanger measurements based on 70° Hanger Bend.

Footrest	Extension	Seat to Footrest Length																		
		10"	10.5"	11"	11.5"	12"	12.5"	13"	13.5"	14"	14.5"	15"	15.5"	16"	16.5"	17"	17.5"	18"		
Extension Tube Hangers (70°,80°)	Short (10" - 13.5")	10"	10.5"	11"	11.5"	12"	12.5"	13"	13.5"	14"	14.5"	15"	15.5"	16"	16.5"	17"	17.5"	18"		
	Medium (11.5" - 15.5")	11.5"	12"	12.5"	13"	13.5"	14"	14.5"	15"	15.5"	16"	16.5"	17"	17.5"	18"					
	Long (14" - 18")	14"	14.5"	15"	15.5"	16"	16.5"	17"	17.5"	18"										
Front Mount Hangers ¹	Standard Selections																	Requires 3" Extension		
	Short Front Mount Hanger	4" ⁵	4.5" ⁵	5"	5.5"	6"												8.5"	9"	9.5"
		6.5"	7"	7.5"	8"													10"	10.5"	11"
	Medium Front Mount Hanger	4" ⁵	4.5" ⁵	5"	5.5"	6"	6.5"	7"										10.5"	11"	11.5"
		7.5"	8"	8.5"	9"	9.5"	10"											12"	12.5"	13"
	Long Front Mount Hanger	5"	5.5"	6"	6.5"	7"	7.5"	8"	8.5"									12.5"	13"	13.5"
9"		9.5"	10"	10.5"	11"	11.5"	12"										14"	14.5"	15"	
Peds PRO ELR ²	Low Pivot Setting	6" ³	6.5" ³	7" ³	7.5" ³	8" ⁴	8.5"	9"	9.5"	10"	10.5"	11"	11.5"							
	High Pivot Setting	6" ³	6.5" ³	7" ³	7.5" ³	8" ⁴	8.5"	9"	9.5"	10"										
PRO ELR Low Pivot Setting	PRO ELR Low Pivot Setting Short (10.5" - 15.5")	10.5" - 15.5"																		
	PRO ELR Low Pivot Setting Long (13" - 19")	13" - 19"																		
PRO ELR High Pivot Setting	PRO ELR High Pivot Setting Short (8.5" - 17")	8.5" - 17"																		
	PRO ELR High Pivot Setting Long (11.5" - 17.5")	11.5" - 17.5"																		

¹ See Minimum Front Seat Height chart to the right

² Comes standard with 3" Extension

³ Not available on chairs 14" wide or more

⁴ Not available on chairs 15" wide or more

⁵ Available only with 90° Front Mount Hangers

Footplates

No selection needed with Contracture Footrest.

Composite [PTFPL001] N/C

Not available with Front Mount Hanger, Frame Widths less than 14" without Offset Hangers or Frame Widths less than 12" with Offset Hanger.

Composite Angle Adjustable [PTFPL014] £182

Not available with Front Mount Hanger or 10"-12" Frame Widths. 13" and 14" Frame Widths require Offset Hanger

Aluminum Angle Adjustable [PTFPL002] N/C

Aluminum Locking Multi-Angle Adjustable [PTFPL020] £303

Available only with Front Mount Hanger.

Hanger Release

No selection needed with Contracture Footrest. If no selection is made 4-Way - In line will be used.

Classic [PTREL001] N/C

4-Way - In-Line [PTREL002] N/C

Allows chair to be folded without removing footrest hanger. Not available with PRO ELR or Peds PRO ELR.

4-Way - Out [PTREL003] N/C

Not available with PRO ELR or Peds PRO ELR.

Minimum Front Seat Height with Front Mount Hangers

Hanger Length	Short		Medium		Long	
	70°	80/90°	70°	80/90°	70°	80°
Hanger Bend	70°	80/90°	70°	80/90°	70°	80°
Minimum Front Seat Height with Standard Selection	13"	13"	13"	13.5"	14.5"	15.5"
Minimum Front Seat Height with 3" Extension	13.5"	14"	15.5"	16"	17"	18"

Heel Loops

Not available with One Piece Flip Up Angle Adjustable Footplate.

Heel Loops [PTACC008] £43

Not available with Frame Widths less than 14" without Offset Hangers or Frame Widths less than 12" with Offset Hangers.

Adjustable Heel Loops [PTACC029] £49

Omit Heel Loops [PTACC011] N/C

Calf Straps

Velcro Adjustable [PTACC002] £49

Padded Velcro Adjustable [PTACC003] £67

Bodypoint Padded AeroMesh [PTACC010] £103

Residual Limb Support

	Limb Support	Price	Omit	Cover		Pad Size					
						5 x 8 [PTRLS008]	7 x 10 [PTRLS009]	9 x 10 [PTRLS010]	9 x 14 [PTRLS011]	11 x 10 [PTRLS012]	11 x 14 [PTRLS013]
Left	Left Limb Support	£182	Omit Left Hanger [PTRLS004]	Smooth [PTRLS006]	Air Mesh [PTRLS007]	5 x 8 [PTRLS008]	7 x 10 [PTRLS009]	9 x 10 [PTRLS010]	9 x 14 [PTRLS011]	11 x 10 [PTRLS012]	11 x 14 [PTRLS013]
Right	Right Limb Support	£182	Omit Right Hanger [PTRLS005]	Smooth [PTRLS020]	Air Mesh Cover [PTRLS021]	5 x 8 [PTRLS014]	7 x 10 [PTRLS015]	9 x 10 [PTRLS016]	9 x 14 [PTRLS017]	11 x 10 [PTRLS018]	11 x 14 [PTRLS019]

Seat Height, Casters, and Rear Wheels

Select Seat Height corresponding to desired Rear Wheel and Caster Size.

Rear Wheel Size	Caster Size				
	5"	6"	6" x 2"	7"	8"
12" with Pneumatic or Pneumatic with Airless Insert Tire	Seat Height				
	13.5"				
	14"	14" ⁴	14" ⁴		
	14.5"	14.5"	14.5"		
	15"	15"	15"	15" ⁴	
	15.5"	15.5"	15.5"	15.5"	
	16"	16"	16"	16"	
	16.5"	16.5"	16.5"	16.5"	16.5"
	17"	17"	17"	17" ³	17" ³
12" with Full Poly Tire	13.5"				
	14"				
	14.5"	14.5"	14.5"		
	15"	15"	15"		
	15.5"	15.5"	15.5"	15.5"	
	16"	16"	16"	16"	16" ⁴
	16.5"	16.5"	16.5"	16.5"	16.5"
	17"	17"	17"	17" ³	17" ³
	17.5"				
12" with Drum Brake	13.5"				
	14"	14"	14"		
	14.5"	14.5"	14.5"		
	15"	15"	15"	15" ⁴	
	15.5"	15.5"	15.5"	15.5"	
	16"	16"	16"	16"	16" ⁴
	16.5"	16.5"	16.5"	16.5"	16.5"
	17"	17"	17"	17"	17"
	17.5"	17.5"	17.5"	17.5"	17.5"
16" with Pneumatic, Pneumatic with Airless Insert or Full Poly Tire	15"	15"	15"	15" ⁴	
	15.5"	15.5"	15.5"	15.5"	
	16"	16"	16"	16"	
	16.5"	16.5"	16.5"	16.5"	16.5"
	17"	17"	17"	17"	17"
	17.5"	17.5"	17.5"	17.5"	17.5"
	18"	18"	18"	18"	18"
	18.5" ⁴	18.5"	18.5"	18.5"	18.5"
	19"	19"	19"	19"	19"
16" With Low Poly Tire	14"	14" ⁴	14" ⁴		
	14.5"	14.5"	14.5"		
	15"	15"	15"		
	15.5"	15.5"	15.5"	15.5"	
	16"	16"	16"	16"	
	16.5"	16.5"	16.5"	16.5"	16.5"
	17"	17"	17"	17"	17"
	17.5"	17.5"	17.5"	17.5"	17.5"
	18"	18"	18"	18"	18"

Rear Wheel Size	Caster Size					
	5"	6"	6" x 2"	7"	8"	
16" with Drum Brake	Seat Height					
	15"	15"	15"			
	15.5"	15.5"	15.5"	15.5"		
	16"	16"	16"	16"	16"	
	16.5"	16.5"	16.5"	16.5"	16.5"	
	17"	17"	17"	17"	17"	
	17.5"	17.5"	17.5"	17.5"	17.5"	
	18"	18"	18"	18"	18"	
	18.5" ⁴	18.5"	18.5" ⁴	18.5" ⁴	18.5"	
20" with Pneumatic, Pneumatic with Airless Insert, Low Poly, Full Poly Tire Or Drum Brake	17"	17"	17"	17"	17"	
	17.5"	17.5"	17.5"	17.5"	17.5"	
	18"	18"	18"	18"	18"	
	18.5"	18.5"	18.5"	18.5"	18.5"	
	19"	19"	19"	19"	19"	
	19.5"	19.5"	19.5"	19.5"	19.5"	
	20" ⁴	20" ⁴	20" ⁴	20"	20"	
	20" Self Propel or Self Propel with Drum Brake	15.5" ¹⁰	15.5" ¹⁰	15.5" ¹⁰	15.5" ¹⁰	
		16" ¹⁰	16" ¹⁰	16" ¹⁰	16" ¹⁰	16" ¹⁰
16.5" ¹⁰		16.5" ¹⁰	16.5" ¹⁰	16.5" ¹⁰	16.5" ¹⁰	
17"		17"	17"	17"	17"	
17.5"		17.5"	17.5"	17.5"	17.5"	
18"		18"	18"	18"	18"	
18.5" ⁴		18.5"	18.5"	18.5" ⁴	18.5"	
22" Self Propel or Self Propel with Drum Brake		16.5" ¹⁰	16.5" ¹⁰	16.5" ¹⁰	16.5" ¹⁰	16.5" ¹⁰
		17" ¹⁰	17" ¹⁰	17" ¹⁰	17" ¹⁰	17" ¹⁰
	17.5" ¹⁰	17.5" ¹⁰	17.5" ¹⁰	17.5" ¹⁰	17.5" ¹⁰	
	18"	18"	18"	18"	18"	
	18.5"	18.5"	18.5"	18.5"	18.5"	
	19"	19"	19"	19"	19"	
	19.5" ⁴	19.5" ²	19.5" ⁴	19.5" ⁴		
	24" Self Propel ¹	17"	17"	17"	17"	17"
		17.5"	17.5"	17.5"	17.5"	17.5"
18"		18"	18"	18"	18"	
18.5"		18.5"	18.5"	18.5"	18.5"	
19"		19"	19"	19"	19"	
19.5" ^{7,8}		19.5"	19.5"	19.5" ⁹	19.5" ^{7,8}	
20" ⁵		20" ⁶	20" ⁶	20"	20"	
18.5" ^{4,11}		18.5" ¹¹	18.5" ¹¹	18.5" ¹¹	18.5" ¹¹	
24" Self Propel with ¹ Drum Brake		19"	19"	19"	19"	19"
	19.5" ¹¹	19.5" ^{9,12}	19.5" ^{9,12}	19.5" ^{9,12}	19.5" ^{9,12}	
	20" ⁴	20" ⁶	20"	20"	20"	

- 5 Not available in combination with spoke wheel and Full Poly tire
- 6 Not available in combination with spoke wheel, Full Poly tire and 17-20 Frame Depth
- 7 Not available in combination with Mag wheel and 17-20" Frame Depth
- 8 Not available in combination with spoke wheel, Pneumatic tires and 17-20" Frame Depth
- 9 17-20" Frame Depth requires spoke wheel and Full Poly tire
- 10 Not available with Drum Brake
- 11 Available only with Full Poly tire 12
- 12" Frame Depth requires spoke wheel and Full Poly tire

1 Self Propel Axle Plate selections limit tilt range
 2 Not available with 12" Frame Depth
 3 Not available with 12-16" Frame Depth
 4 Not available with 17-20" Frame Depth

Casters

		Caster Size				
		Price	5"	6"	7"	8"
Caster Type	.75" Lighted Rollerblade	£86	[PTCAS033]			
	1" Poly	N/C	[PTCAS010]	[PTCAS014]	[PTCAS019]	[PTCAS020]
	1" Poly Aluminum	£61	[PTCAS011]			
	1" Pneumatic	£61		[PTCAS017]		[PTCAS021]
	1.5" Poly	N/C	[PTCAS025]	[PTCAS026]		
	1.5" Soft Roll Aluminum	£61	[PTCAS013]	[PTCAS016]		
	2" Poly	N/C		[PTCAS024]		

Axles

No selection needed with Drum Brake.

Fixed [PTAXO002] _____ N/C

Not available with Folding Base Frame and Standard Wheel Locks.

Quick Release [PTAXO003] _____ N/C

Axle Plates

Standard [PTAXP001] _____ N/C

Self Propel Axle Plate [PTAXP008] _____ N/C

Rear Tire Type

Low Poly [PTTIR003] _____ N/C
Available only with 16" wheel size.

Full Poly [PTTIR002] _____ N/C

Pneumatic [PTTIR001] _____ N/C

Pneumatic with Airless Insert [PTTIR004] _____ £121

Wheels

		Rear Wheel Size					
			12"	16"	20"	22"	24"
Rear Wheel Type	Mag	N/C	[PTWHE112]	[PTWHE116]	[PTWH1220]	[PTWH1222]	[PTWH1224]
	Colored Mag ¹	£182			[PTWH1320]	[PTWH1322]	
	MAXX Spoke	N/C			[PTWH1120]	[PTWH1122]	[PTWH1122]

¹ Mag color selection is on page 6.

Handrims

Handrims not available on 12" or 16" wheel sizes.

Aluminum Anodized [PTHRMO01] _____ N/C

Plastic Coated [PTHRMO02] _____ £97

Projection (8 Vertical Projections) [PTHRMO03] _____ £218

Available only with full profile tires in combination with 22", 24", and 26" MAXX Spoke wheels, or 22" and 24" Mag wheels

Omit Handrim [PTHRMO12] _____ N/C

Handrim Option

Not available on Plastic Coated or Projection Handrims.

3M Micro Grip [PTACC006] _____ £91

Wheel Locks

Push to Lock [PTWLK002] _____ N/C

Pull to Lock [PTWLK003] _____ N/C

Not available with 12" or 16" Full Poly tires.

Attendant Foot Lock [PTWLK011] _____ £121

Available only with 12" and 16" Mag wheels.

Dual - Attendant Foot Lock with Push to Lock [PTWLK013] _____ £151

Available only with 12" and 16" Mag wheels

Dual - Attendant Foot Lock with Pull to Lock [PTWLK014] _____ £151

Available only with 12" and 16" Mag wheels

Drum Brake [PTWLK015] _____ £532

Available only with 12" Mag, 16" Mag, or MAXX Spoke wheels. Not available with 16" Low Poly tire or Reclining Backrest. Axle is Quick Release.

Dual - Drum Brake with Push to Lock [PTWLK016] _____ £562

Available only with 12" Mag, 16" Mag, or MAXX Spoke wheels. Not available with 16" Low Poly tire or Reclining Backrest. Axle is Quick Release.

Dual - Drum Brake with Pull to Lock [PTWLK017] _____ £562

Available only with 12" Mag, 16" Mag, or MAXX Spoke wheels. Not available with 16" Low Poly tire or Reclining Backrest. Axle is Quick Release.

Omit [PTWLK008] _____ N/C

Extension Handles [PTWLK004] _____ £55

Armrests

Armrest Type	Length		Price
Height Adjustable T-Arm Tall (11.5"-15")	Desk	[PTARM039]	£272
	Full	[PTARM040]	
Height Adjustable Pediatric 1 ¹	Desk(6.5"-9")	[PTARM014]	N/C
	Desk Tall(8"-10.5")	[PTARM024]	
Height Adjustable T-Arm (8.5"-13.5") 2 ²	Desk	[PTARM003]	£272
	Full	[PTARM004]	
Height Adjustable T-Arm Low (6.5"-10.5") 3 ³	Desk	[PTARM022]	£272
	Full	[PTARM023]	

¹ Best fit with Frame Depths less than 14".

² Not available with 12" Frame Depth

³ If requested configuration is unavailable, Standard Height T-Arm will be used

⁴ Not available with Dynamic Back. Available only with 12" and 16" Rear Wheels.

⁵ Not available with Dynamic Back, Reclining Back or Arm Pads

Armrest Type	Length		Price
Angle Adjustable Locking Extendable Flip Up ⁴	Desk	[PTARM010]	£272
	Full	[PTARM011]	
Tubular Flip Up ⁵		[PTARM015]	N/C
Omit Armrests		[PTARM007]	N/C

Arm Pads

Standard Arm Pad [PTARM026]	N/C
Waterfall Arm Pad [PTARM020]	£30
<i>Not available with Angle Adjustable Locking Extendable Flip Up Armrest.</i>	
Foam Grip [PTARM025]	N/C
<i>Available only with Angle Adjustable Locking Extendable Flip Up Armrest.</i>	

Accessories

Removable Side Guards

Not available with Height Adjustable Armrests.

Adult Composite Side Guards (14" - 16") [PTSDG002]	£218
Pediatric Composite Side Guard (10" - 14") [PTSDG001]	£218

Anti-Tips

Rear Anti-Tips [PTATP001]	N/C
Omit [PTATP000]	N/C

Other Accessories

Tool Kit [PTACC005]	£20
Removable Underseat Pouch [PTACC015]	£30
Pediatric Ki Mobility Backpack [PTACC026]	£100
Ki Mobility Backpack [PTACC009]	£100
Black Neoprene Impact Guards [PTIMG001]	£49
Tilt Stop Posterior (Pair) (K0108) [PTTLT010]	£30
Tilt Stop Anterior (Pair) (K0108) [PTTLT011]	£30
<i>Available only with Rigid Base.</i>	
IV Pole [PTACC022]	£320
Canopy with Hardware (K0108) [PTACC042]	£272
<i>See Image below</i>	

Pelvic Positioning Belts

1" Auto Buckle Pelvic Positioning Belt [PTPOB004]	£103
1" Padded Auto Buckle Pelvic Positioning Belt [PTPOB005]	£151
1 1/2" Auto Buckle Pelvic Positioning Belt [PTPOB001]	£103
1 1/2" Padded Auto Buckle Pelvic Positioning Belt [PTPOB002]	£151
2" Airline Buckle Pelvic Positioning Belt [PTPOB003]	£175
Small Bodypoint Evoflex (16-24") [PTPOB007]	£188
Medium Bodypoint Evoflex (19-29") [PTPOB008]	£188
Large Bodypoint Evoflex (25-37") [PTPOB009]	£188

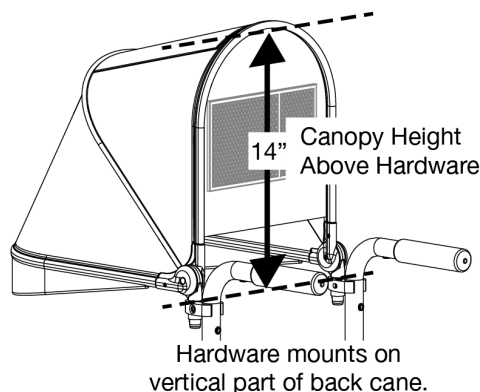
Belt Mounting Kit

Belt Mounting Band Clamp [PTACC054]	£103
Seat Belt Mounting Hardware [PTACC024]	£17

Spoke Guards

Clear Spoke Guards [PTSPG001]	£148
<i>Not available with Mag wheel.</i>	
Black Spoke Guards [PTSPG002]	£148
<i>Available only with 22" and 24" Spoke wheels.</i>	
Blue Monster Spoke Guards [PTSPG003] ¹	£182
Robo Fun Spoke Guards [PTSPG004] ¹	£182
Tutu Cute Spoke Guards [PTSPG005] ¹	£182
Tuxedo Time Spoke Guards [PTSPG008] ¹	£182

¹ Available only with 20" and 22" wheel sizes. Not available with Mag wheel.



Color

Select desired frame and accent colors. Accent color is used on side panel; if no accent color is selected, frame color will be used.

Options	Price	Colors																			
		Gloss													Matte						
		Black	Blue Skies	Bubblegum Pink	Candy Blue	Candy Purple	Candy Red	Copper	Granny Smith	Metallic Orange	Silver	Teal	Yellow	Charcoal Gray	Emerald Green	Iridescent Burgundy	Iridescent Navy	Military Green	Retro Red	Royal Blue	Shadow Black
Frame	N/C																				
Accent	N/C																				
Mag Color																					

Axiom G

		Width															
		14"		15"		16"		17"		18"		19"		20"		22"	
		Cushion	Outer Cover	Cushion	Outer Cover	Cushion	Outer Cover	Cushion	Outer Cover	Cushion	Outer Cover	Cushion	Outer Cover	Cushion	Outer Cover	Cushion	Outer Cover
Retail		£85	£70	£85	£70	£85	£70	£85	£70	£85	£70	£85	£70	£85	£70	£85	£70
Height	14"																
	15"																
	16"																
	17"																
	18"																
	19"																
	20"																
	21"																
	22"																

Axiom S

		Width															
		14"		15"		16"		17"		18"		19"		20"		22"	
		Cushion	Outer Cover	Cushion	Outer Cover	Cushion	Outer Cover	Cushion	Outer Cover	Cushion	Outer Cover	Cushion	Outer Cover	Cushion	Outer Cover	Cushion	Outer Cover
Retail		£120	£70	£120	£70	£120	£70	£120	£70	£120	£70	£120	£70	£120	£70	£120	£70
Height	14"																
	15"																
	16"																
	17"																
	18"																
	19"																
	20"																
	21"																
	22"																

Axiom P

		Width															
		14"		15"		16"		17"		18"		19"		20"		22"	
		Cushion	Outer Cover	Cushion	Outer Cover	Cushion	Outer Cover	Cushion	Outer Cover	Cushion	Outer Cover	Cushion	Outer Cover	Cushion	Outer Cover	Cushion	Outer Cover
Retail		£170	£70	£170	£70	£170	£70	£170	£70	£170	£70	£170	£70	£170	£70	£170	£70
Height	14"																
	15"																
	16"																
	17"																
	18"																
	19"																
	20"																
	22"																

Axiom SP - Visco

		Width																										
		14"			15"			16"			17"			18"			19"			20"			21"			22"		
		Cushion	Cover		Cushion	Cover		Cushion	Cover		Cushion	Cover		Cushion	Cover		Cushion	Cover		Cushion	Cover		Cushion	Cover				
Retail		£350	£70	£350	£70	£350	£70	£350	£70	£350	£70	£350	£70	£350	£70	£350	£70	£350	£70	£350	£70	£350	£70					
Height	14"																											
	15"																											
	16"																											
	17"																											
	18"																											
	19"																											
	20"																											
	22"																											

Axiom SP - Fluid

		Width																										
		14"			15"			16"			17"			18"			19"			20"			21"			22"		
		Cushion	Cover		Cushion	Cover		Cushion	Cover		Cushion	Cover		Cushion	Cover		Cushion	Cover		Cushion	Cover		Cushion	Cover				
Retail		£320	£70	£320	£70	£320	£70	£320	£70	£320	£70	£320	£70	£320	£70	£320	£70	£320	£70	£320	£70	£320	£70					
Height	14"																											
	15"																											
	16"																											
	17"																											
	18"																											
	19"																											
	20"																											
	22"																											

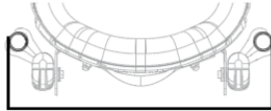
Solid Seat Insert

Weight capacity: 350 lbs

		Width								
		14"	15"	16"	17"	18"	19"	20"	21"	22"
		Cushion	Cushion	Cushion	Cushion	Cushion	Cushion	Cushion	Cushion	Cushion
Retail		£55	£55	£55	£55	£55	£55	£55	£55	£55
Height	14"									
	15"									
	16"									
	17"									
	18"									
	19"									
	20"									
	21"									
	22"									

Axiom Back Width	Fits Back Frame Widths	
	Inner Slots	Outer Slots
12" (30.5cm)	11" (28.0cm)	12" -14" (30.5cm -35.5cm)
14" (35.5cm)	12" -13" (30.5cm -33.0cm)	14" -16" (35.5cm -40.5cm)
16" (40.5cm)	14" -15" (35.5cm -38.0cm)	16" -18" (40.5cm -45.5cm)
18" (45.5cm)	16" - 17" (40.5cm - 43.0cm)	18" - 20" (45.5cm - 50.5cm)
20" (51.0cm)	18" -19" (46.0cm -48.5cm)	20" -22" (50.5cm -55.5cm)
22" (56.0cm)	20" -21" (51.0cm -53.5cm)	22" -24" (56.0cm -61.0cm)

Hardware Description	Code
Improved DEX Hardware, removable adjustable hardware (300 lb max user weight)	DEX
New BTX Hardware, removable adjustable hardware not recommended for, or installed on Ultralight Rigid Frame Wheelchairs (400 lb max user weight)	BTX
New Fixed Hardware, non-removeable hardware up to (300 lb max user weight)	FXT



Axiom Back

Hardware is included with back. Low Back selections are not available with headrests, modifications, or posture supports. Weight capacity: 300 lbs.

Axiom Posterior Back (PB)

		Width						
		12"	14"	16"	18"	20"	22"	
Retail		£550	£550	£550	£550	£550	£550	
Height	Low	8"	[AXPB1208]	[AXPB1408]	[AXPB1608]	[AXPB1808]	[AXPB2008]	
		10"		[AXPB1410]	[AXPB1610]	[AXPB1810]	[AXPB2010]	[AXPB2210]
		12"	[AXPB1212]	[AXPB1412]	[AXPB1612]	[AXPB1812]	[AXPB2012]	
	Mid	14"		[AXPB1414]	[AXPB1614]	[AXPB1814]	[AXPB2014]	[AXPB2214]
		16"	[AXPB1216]	[AXPB1416]	[AXPB1616]	[AXPB1816]	[AXPB2016]	
		18"		[AXPB1418]	[AXPB1618]	[AXPB1818]	[AXPB2018]	[AXPB2218]

Back Hardware

DEX Hardware [DEX] BTX Hardware [BTX] FXT Hardware [FXT] _____ N/C

Lateral Support for AXPB Backs

Lateral Trunk Supports for AXPB Backs							
Pair	Left	Right	Description	Item Code	Pair	Each	
			3 x 4 Lateral Pads with Fixed Mounting Hardware for Axiom Posterior Back	PBLF3x4P	£295	£148	
			4 x 5 Lateral Pads with Fixed Mounting Hardware for Axiom Posterior Back	PBLF4x5P	£295	£148	
			3 x 4 Lateral Pads with Swing Away Mounting Hardware for Axiom Posterior Back	PBLS3x4P	£628	£314	
			4 x 5 Lateral Pads with Swing Away Mounting Hardware for Axiom Posterior Back	PBLS4x5P	£628	£314	
			3 x 4 Lateral Pads with Adjustable Swing Away Mounting Hardware	PBLAS3x4P	£628	£314	
			4 x 5 Lateral Pads with Adjustable Swing Away Mounting Hardware	PBLAS4x5P	£628	£314	

Axiom Posterior Lateral Back (PL)

		Width						
		12"	14"	16"	18"	20"	22"	
Retail		£550	£550	£550	£550	£550	£550	
Height	Low	8"	[AXPL1208]	[AXPL1408]	[AXPL1608]	[AXPL1808]	[AXPL2008]	
		10"		[AXPL1410]	[AXPL1610]	[AXPL1810]	[AXPL2010]	[AXPL2210]
		12"	[AXPL1212]	[AXPL1412]	[AXPL1612]	[AXPL1812]	[AXPL2012]	
	Mid	14"		[AXPL1414]	[AXPL1614]	[AXPL1814]	[AXPL2014]	[AXPL2214]
		16"	[AXPL1216]	[AXPL1416]	[AXPL1616]	[AXPL1816]	[AXPL2016]	
		18"		[AXPL1418]	[AXPL1618]	[AXPL1818]	[AXPL2018]	[AXPL2218]
Tall	20"	[AXPL1220]	[AXPL1420]	[AXPL1620]	[AXPL1820]	[AXPL2020]		
	22"		[AXPL1422]	[AXPL1622]	[AXPL1822]	[AXPL2022]	[AXPL2222]	

Back Hardware

DEX Hardware [DEX] BTX Hardware [BTX] FXT Hardware [FXT] _____ N/C

Lateral Support for AXPL

Lateral Trunk Supports for AXPL & AXLB Backs						
Pair	Left	Right	Description	Item Code	Pair	Each
			3 x 4 Lateral Pads with Fixed Mounting Hardware for Axiom Posterior Lateral Back	PLLF3x4P	£295	£295
			4 x 5 Lateral Pads with Fixed Mounting Hardware for Axiom Posterior Lateral Back	PLLF4x5P	£295	£295
			3 x 4 Lateral Pads with Swing Away Mounting Hardware for Axiom Posterior Lateral Back	PLLS3x4P	£628	£314
			4 x 5 Lateral Pads with Swing Away Mounting Hardware for Axiom Posterior Lateral Back	PLLS4x5P	£628	£314
			3 x 4 Lateral Pads with Adjustable Swing Away Mounting Hardware	PLLAS3x4P	£628	£314
			4 x 5 Lateral Pads with Adjustable Swing Away Mounting Hardware	PLLAS4x5P	£628	£314

Axiom Deep Lateral Back (DL)

		Width						
		12"	14"	16"	18"	20"	22"	
Retail		£550	£550	£550	£550	£550	£550	
HCPC		E2620	E2620	E2620	E2620	E2620	E2621	
Height	Mid	14"	[AXDL1214]	[AXDL1414]	[AXDL1614]	[AXDL1814]	[AXDL2014]	[AXDL2214]
		16"		[AXDL1416]	[AXDL1616]	[AXDL1816]	[AXDL2016]	
		18"	[AXDL1218]	[AXDL1418]	[AXDL1618]	[AXDL1818]	[AXDL2018]	[AXDL2218]
	Tall	20"	[AXDL1220]	[AXDL1420]	[AXDL1620]	[AXDL1820]	[AXDL2020]	
		22"		[AXDL1422]	[AXDL1622]	[AXDL1822]	[AXDL2022]	[AXDL2222]

Back Hardware

DEX Hardware [DEX] BTX Hardware [BTX] FXT Hardware [FXT] _____ N/C

Headrest

Description	Std. Straight Removable Adjustable Hardware		Multi-Axis Removable Adjustable Hardware		Posalinc Removable Adjustable Hardware		HCPCS
	Item Code	Retail	Item Code	Retail	Item Code	Retail	
Comfort Soft Headrest 8"	[CS08SS]	£268	[CS08MA]	£268	[CS08PL]	£268	E0955 / E1028
Comfort Soft Headrest 10"	[CS10SS]	£268	[CS10MA]	£268	[CS10PL]	£268	E0955 / E1028
Comfort Soft Headrest 14"	[CS14SS]	£268	[CS14MA]	£268	[CS14PL]	£268	E0955 / E1028
Contour Positioning Pad, 8" X 6.25"	[CP08SS]	£303	[CP08MA]	£303	[CP08PL]	£303	E0955 / E1028
Contour Positioning Pad, 9" X 6.5"	[CP09SS]	£303	[CP09MA]	£303	[CP09PL]	£303	E0955 / E1028
Contour Positioning Pad, 10" X 7.5"	[CP10SS]	£303	[CP10MA]	£303	[CP10PL]	£303	E0955 / E1028
Tri-soft Headrest 10"	[TS10SS]	£386	[TS10MA]	£386	[TS10PL]	£386	E0955 / E1028
Tri-soft Headrest 14"	[TS14SS]	£386	[TS14MA]	£386	[TS14PL]	£386	E0955 / E1028

Description	Item Code	Retail	HCPCS
Universal Headrest Mounting Plate	[UMP]	£43	K0108

Not required for Axiom Headrests

Anterior Thoracic Supports

Selection of a modification from the Axiom Back Modifications section required in order to mount posture supports. Not available with Low Backs.

Anterior Thoracic Supports

Description	Item Code	HCPCS	Retail
Dynaform Chest Support: 2-Piece with Hook&Loop, 3" High Pad, Small	[14941]	E0960	£100
Dynaform Chest Support: 2-Piece with Hook&Loop, 4" High Pad, Medium	[14942]	E0960	£100
Dynaform Chest Support: 2-Piece with Hook&Loop, 5" High Pad, Large	[14943]	E0960	£100
Dynaform Chest Support: 1-Piece with Buckle, 3" Height x 20" Width, Small	[14924]	E0960	£100
Dynaform Chest Support: 1-Piece with Buckle, 4" Height x 20" Width, Medium	[14927]	E0960	£100
Dynaform Chest Support: 1-Piece with Buckle, 4" Height x 22" Width, Large	[14928]	E0960	£100
Dynaform Anterior Trunk Support: Standard, Dynamic, X-Small	[14851]	E0960	£100
Dynaform Anterior Trunk Support: Standard, Dynamic, Small	[14852]	E0960	£100
Dynaform Anterior Trunk Support: Standard, Dynamic, Medium	[14853]	E0960	£100
Dynaform Anterior Trunk Support: Standard, Dynamic, Large	[14854]	E0960	£100
Dynaform Anterior Trunk Support: Slim Cut, Dynamic, X-Small	[14856]	E0960	£100
Dynaform Anterior Trunk Support: Slim Cut, Dynamic, Small	[14857]	E0960	£100
Dynaform Anterior Trunk Support: Slim Cut, Dynamic, Medium	[14858]	E0960	£100
Dynaform Anterior Trunk Support: Slim Cut, Dynamic, Large	[14859]	E0960	£100
AirLogic Anterior Trunk Support: Standard, Structure, Small	[14282]	E0960	£300
AirLogic Anterior Trunk Support: Standard, Structure, Medium	[14283]	E0960	£300
AirLogic Anterior Trunk Support: Standard, Structure, Large	[14284]	E0960	£300
AirLogic Anterior Trunk Support: Standard, Structure, X-Large	[14285]	E0960	£300
AirLogic Anterior Trunk Support: Slim Cut, Dynamic, Small	[14257]	E0960	£300
AirLogic Anterior Trunk Support: Slim Cut, Dynamic, Medium	[14258]	E0960	£300
AirLogic Anterior Trunk Support: Slim Cut, Dynamic, Large	[14259]	E0960	£300
AirLogic Anterior Trunk Support: Slim Cut, Dynamic, X-Large	[14260]	E0960	£300

Accessories

Adjustable Shoulder Guides (K0108) [AXBSG] <i>Includes Anterior Thoracic Mounting Modification. Not available with Low Backs.</i>	£43
Extra Lumbar Pad (K0108) [LUMPAD] <i>Available only with Axiom Lateral Back and Axiom Deep Lateral back</i>	N/C
Privacy Flap (K0108) [PRFLAP]	£44

Axiom Back Modifications

Axiom Back Modifications

Extended lead times will apply for all modifications. Makes back non-refundable.

Anterior Thoracic Mounting Modification [AXSMM] <i>Provides holes for Anterior Thoracic Supports and Shoulder Guides</i>	N/C
---	-----

Gloss Finish

If no selection is made, standard Shadow Black will be used with no additional lead time

Black Back Shell [AXMBLK]	N/C
Blue Skies Back Shell [AXMSKY]	N/C
Bubblegum Pink Back Shell [AXMPNK]	N/C
Candy Blue Back Shell [AXMCBL]	N/C
Candy Purple Back Shell [AXMPUR]	N/C
Candy Red Back Shell [AXMRED]	N/C
Copper Back Shell [AXMCOP]	N/C
Granny Smith Back Shell [AXMGSM]	N/C
Metallic Orange Back Shell [AXMMOR]	N/C
Yellow Back Shell [AXMYLW]	N/C
Silver Back Shell [AXMSIL]	N/C
Teal Back Shell [AXMTEA]	N/C

Matte Finish

If no selection is made, standard Shadow Black will be used with no additional lead time

Military Green Back Shell [AXMAGM]	N/C
Charcoal Gray Back Shell [AXMCGM]	N/C
Emerald Green Back Shell [AXMEGM]	N/C
Iridescent Burgundy Back Shell [AXMIBM]	N/C
Iridescent Navy Back Shell [AXMINM]	N/C
Retro Red Back Shell [AXMRRM]	N/C
Royal Blue Back Shell [AXMRBM]	N/C
Smooth White Back Shell [AXMSWM]	N/C