

Phone (800) 981-1540 | Fax (715) 254-0996
sales@kimobility.com | www.kimobility.com

Company:

Ship To:

Account Number:

Date:

Address:

Quote: PO Number:

City:

Province:

Clinician / Sales Rep:

Postal Code:

Phone:

Marked For:

Email/Fax:

Associated Quote/Order#:

Submit Form

Effective: 10/31/2023

Rogue2 _____ \$3895
Rogue Standard Frame 275 lb Weight Capacity

Frame

Seat Width

See reference A on page 7

12"	N/C
13"	N/C
14"	N/C
15"	N/C
16"	N/C
17"	N/C
18"	N/C
19"	N/C
20" (E2201)	\$295

Seat Depth

See reference B on page 7

14"	N/C
15"	N/C
16"	N/C
17"	N/C
18"	N/C
19"	N/C
20" (E2203)	\$295

Transit Option

Transit System	\$399
<i>Cannot be retrofitted. Requires Expanded Width Caster Position.</i>	
Omit	N/C

Adjustable Depth

Adds the capability to grow seat in depth

No Rear Adjustment	N/C
1/2"	N/C
1"	\$75
2"	\$165

Sling Position

In Performance Position (0"), sling is at front of frame. The 1" or 2" sling position extends the frame in front of the sling by that amount. See reference C on page 7.

0" (Performance)	N/C
1"	N/C
2" (Classic)	N/C

Seat Option

Standard Seat Sling	N/C
Aluminum Solid Seat Pan	\$265

Front Frame Bend

Angle between front seat tube and ground. See reference D on page 7.

90°	N/C
85°	N/C
80°	N/C
75°	N/C
70°	N/C

Backrest

Back Post / Height Range / Back Height							
Back Post	Price	Height Range	Back Height				
Height Adjustable	N/C	Height Adjustable Short Back Post	11" ²	12"	13"	14"	
		Height Adjustable Medium Back Post	13"	14"	15"	16"	17"
		Height Adjustable Tall Back Post	17"	18"	19"	20"	
Fixed Height ¹	\$95	Fixed Height Straight Back Post	9" ²	10" ²	11" ²	12"	13"
			14"	15"	16"	17"	18"

¹ Not available with back upholstery
² Not available with Fold Down Push Handle

Seat Back Angle							
Standard is 90° (perpendicular to floor). Minus (-°) closes back angle. Plus (+°) opens back angle.							
Standard	+3°	+6°	+9°	-3°	-6°	-9° -12°	N/C

Back Upholstery Options	
Available only with Height Adjustable Back Posts. If selecting both upholstery and Axiom Back, the upholstery will be installed.	
Padded Velcro Adjustable with Standard Cover	N/C
Padded Velcro Adjustable with Air Mesh Breathable Cover	\$75
Tension Adjustable with Standard Cover	\$385
Tension Adjustable with Air Mesh Breathable Cover	\$450
Omit	-\$10

Push Handles	
Omit Push Handle	N/C
Standard Push Handle	N/C
Low Profile Push Handle	\$55
<i>2" shorter than standard push handles</i>	
Bolt-On Push Handle	\$170
<i>Handles will be 1" - 2" above back height</i>	
Fold Down Push Handle	\$145

Stroller Handle	
<i>Stroller Handles are removable and height adjustable</i>	
Single Stroller Handle	\$206
Double Stroller Handle	\$395
<i>Not available with Push Handles</i>	

Rigidizer Bar	
Adjustable Height Rigidizer Bar	\$115
Non-Adjustable Height Rigidizer Bar	N/C
<i>Not Available with Fixed Height Back Post</i>	

Front Seat Height and Casters

Caster Size / Footrest Taper / Front Seat Height	
--	--

Select Front Seat Height and Footrest Taper in row corresponding to Caster Size. 6" casters not available with 85° and 90° Front Frame Bend.
Footrest Taper indicates bend of front frame creating footrest width. Taper is measured from outside of seat frame to outside of front tube. 2" Taper not available with 75° Front Frame Bend. Taper is not available with 70° Front Frame Bend. See reference E on page 7.
Front Seat Height is measured from floor to top of seat tube at front of seat sling. Adjustable up or down by 1/2". See reference F on page 7.

Footrest Taper	Price	Caster Size	Front Seat Height																		
			3"	4"	5"	6"	7"	8"	9"	10"	11"	12"	13"	14"	15"	16"	17"	18"	19"	20"	20.5"
Straight	N/C	3"	13.5"	14"	14.5"	15"	15.5"	16"	16.5"	17"	17.5"	18"	18.5"	19"	19.5"	20"	20.5"				
		4"	14"	14.5"	15"	15.5"	16"	16.5"	17"	17.5"	18"	18.5"	19"	19.5"	20"	20.5"					
		5"	14.5"	15"	15.5"	16"	16.5"	17"	17.5"	18"	18.5"	19"	19.5"	20"	20.5"						
		6"	15"	15.5"	16"	16.5"	17"	17.5"	18"	18.5"	19"	19.5"	20"	20.5"							
1"	N/C	3"	16.5"	17"	17.5"	18"	18.5"	19"	19.5"	20"	20.5"										
		4"	17"	17.5"	18"	18.5"	19"	19.5"	20"	20.5"											
		5"	17.5"	18"	18.5"	19"	19.5"	20"	20.5"												
		6"	18"	18.5"	19"	19.5"	20"	20.5"													
2"	N/C	3"	16.5"	17"	17.5"	18"	18.5"	19"	19.5"	20"	20.5"										
		4"	17"	17.5"	18"	18.5"	19"	19.5"	20"	20.5"											
		5"	17.5"	18"	18.5"	19"	19.5"	20"	20.5"												
		6"	18"	18.5"	19"	19.5"	20"	20.5"													
3.5° V-Front	N/C	3"	13.5"	14"	14.5"	15"	15.5"	16"	16.5"	17"	17.5"	18"	18.5"	19"	19.5"	20"	20.5"				
		4"	14"	14.5"	15"	15.5"	16"	16.5"	17"	17.5"	18"	18.5"	19"	19.5"	20"	20.5"					
		5"	14.5"	15"	15.5"	16"	16.5"	17"	17.5"	18"	18.5"	19"	19.5"	20"	20.5"						
		6"	15"	15.5"	16"	16.5"	17"	17.5"	18"	18.5"	19"	19.5"	20"	20.5"							
7° V-Front	N/C	3"	13.5"	14"	14.5"	15"	15.5"	16"	16.5"	17"	17.5"	18"	18.5"	19"	19.5"	20"	20.5"				
		4"	14"	14.5"	15"	15.5"	16"	16.5"	17"	17.5"	18"	18.5"	19"	19.5"	20"	20.5"					
		5"	14.5"	15"	15.5"	16"	16.5"	17"	17.5"	18"	18.5"	19"	19.5"	20"	20.5"						
		6"	15"	15.5"	16"	16.5"	17"	17.5"	18"	18.5"	19"	19.5"	20"	20.5"							

Casters

		Caster Size				
		Price	3"	4"	5"	6"
Caster Type	.75" Rollerblade	N/C				
	.75" Lighted Rollerblade	\$88				
	1" Poly	N/C				
	1" Poly Aluminum	\$120				
	1" Pneumatic	\$80				
	1.5" Poly	\$85				
	1.5" Soft Roll Aluminum	\$150				

Caster Position

See reference L on page 7

Optimized	N/C
Caster Placement minimizes the footprint of the chair	
Expanded Width	N/C
Caster arm is positioned approximately .75" wider than Optimized position	

Fork Options

Standard Fork	N/C
Single Sided Fork	\$156
Frog Legs II Suspension System	\$425
Lightweight shock absorbing fork. Not included in Colored Anodizing Package.	

Footrest

Footplate

Tubular "Open" Footplate	N/C
Not available with V-Taper	
Tubular Footplate with ABS Cover	\$38
Not available w/footrest widths greater than 15.5". See Reference G on page 7.	
Not available with V-Taper.	
Aluminum Angle Adjustable	N/C
Aluminum Angle Adjustable with Riser	\$190
High Mount Aluminum Angle Adjustable	\$190
Not available with V-Taper	
Angle Adjustable Flip Under	\$230
Not available with footrest widths less than 9.5". Not available with V-Taper.	
See Reference G on page 7.	
High Mount Angle Adjustable Flip Under	\$295
Not available w/footrest widths greater than 15.5". See Reference G on page 7. Not available with V-Taper.	
Hybrid Angle Adjustable	\$100
Hybrid Angle Adjustable with Wings	\$125

Footrest Protector

Footrest Protector	N/C
Not available with Angle Adjustable Flip Under, High Mount Angle Adjustable Flip Under or High Mount Aluminum Angle Adjustable Footplates	

Seat to Footrest Length

Measured from front edge of seat sling to top, rear of footrest. Footrest length at least 2.5" shorter than Front Seat Height recommended. See reference H on page 7.

8"	8.5"	9"	9.5"	10"	10.5"
11"	11.5"	12"	12.5"	13"	13.5"
14"	14.5"	15"	15.5"	16"	16.5"
17"	17.5"	18"	18.5"	19"	19.5"

Rear Seat Height and Wheels

Wheel Size / Rear Seat Height

Select Rear Seat Height in row corresponding to desired Wheel Size. For proper setup, selection is required when omitting rear wheels. Measured from floor to top of seat tube at front of back post. Rear Seat Height is custom to needs. See reference I on page 7.

Wheel Size	Rear Seat Height															
20"	12.5" ¹	13"	13.5"	14"	14.5"	15"	15.5"	16"	16.5"	17"	17.5"	18"	18.5"	19"	19.5"	20"
22"	13.5" ¹	14"	14.5"	15"	15.5"	16"	16.5"	17"	17.5"	18"	18.5"	19"	19.5"	20"		
24"	14.5" ¹	15"	15.5"	16"	16.5"	17"	17.5"	18"	18.5"	19"	19.5"	20"				
25"	15" ¹	15.5"	16"	16.5"	17"	17.5"	18"	18.5"	19"	19.5"	20"					
26"	15.5" ¹	16"	16.5"	17"	17.5"	18"	18.5"	19"	19.5"	20"						

¹ Available only with Low Profile tires

One Arm Drive

One Arm Drive - Quick Release	\$1825
Available only with 20", 22" and 24" spoke wheels and quick release axles. Spoke wheel style provided is exclusive to OAD. Standard handrim will be Aluminum Anodized. Limitations exist based on rear wheel spacing, camber and armrest selections.	

Left Side Drive	N/C
Right Side Drive	N/C
Aluminum Drive Handrim	N/C
Poly Coated Drive Handrim	\$200

Wheels

No selection needed with One Arm Drive

		Rear Wheel Size					
		Price	20"	22"	24"	25"	26"
Rear Wheel Type	MAXX Spoke	N/C					
	Mag	N/C					
	Mag (Color) ²	\$140					
	Superlight Spoke	\$395				¹	
	Spinergy Spox	\$820					
	Spinergy LX	\$1025					

¹ Available only with Superlight and Plastic Coated Handrims

² Color selection on page 6

Spineray Options

Select spoke color and handrim tab for Spineray wheels

Black Spokes Red Spokes Blue Spokes White Spokes _____ N/C

Rear Tire Type

Full Profile

Street Pneumatic 1 3/8" <i>Not available on 25" wheel size</i>	N/C
Full Poly 1 3/8" <i>Not available on Superlight wheel or 25" or 26" wheel sizes</i>	N/C
Pneumatic with Airless Insert 1 3/8" <i>Not available on Superlight wheel or 25" wheel size</i>	\$250
Schwalbe HS-127 1 3/8" <i>Available only on 24" wheel size. Not available on Mag wheel</i>	\$119
Mountain 2" Black <i>Available only on 22", 24" and 25" MAXX wheels and Spineray wheels</i>	\$119

Low Profile

Low Poly 1" <i>Not available on Superlight wheel, 25" or 26" wheel sizes</i>	\$50
Sentinel Solid Tire 1" <i>Not available on Superlight wheel</i>	\$120
High Pressure 1" <i>Not available on Mag wheel</i>	N/C
Schwalbe One 1" <i>Available only on 24" and 25" wheel sizes. Not available on Mag wheel</i>	\$135
Schwalbe Marathon Plus Evolution 1" <i>Not available on Mag wheel, 20" or 22" wheel sizes</i>	\$145

Handrims

No selection needed with One Arm Drive

Standard Handrims

Aluminum Anodized	N/C
Superlight Aluminum Anodized <i>Available only on 24" and 25" wheel sizes. Available only on MAXX Spokes, Superlight or Spineray wheels.</i>	\$75
Plastic Coated	\$119
Projection (8 Vertical Projections) <i>Available only with full profile tires in combination with 22", 24", and 26" MAXX Spoke wheels, or 22" and 24" Mag wheels</i>	\$299
Omit Handrim	N/C

Ergonomic Handrims

Not available with 20" or 26" wheels. Tab mount only available with 24" wheels.

Ergo Lite Regular Grip	\$445
Ergo Standard Regular Grip	\$445
Ergo Lite Extra Grip	\$495
Ergo Standard Extra Grip	\$495
Ergo Lite Omit Grip	\$375
Ergo Standard Omit Grip	\$375

Handrim Options

Handrim Mount

If no selection is made, Standard Mount will be used

Close Mount _____ N/C

Micro-Grip

3M Micro Grip _____ \$81
Not available on Plastic Coated or Projection Handrims

Axles

Quick Release _____ N/C
Quad Quick Release _____ \$219
Not available with Mag or Spineray wheels

Center of Gravity Presets

Measured from front of back post to center of rear axle. 0" indicates axle will be directly under back post. See reference J on page 7.

Amputee Positions				
-1.5"	-1"	-.5"	0"	.25"
Standard Positions				
.5"	.75"	1"	1.25"	1.5"
1.75"	2"	2.25"	2.5"	2.75"
3"	3.25"	3.5"	3.75"	4"
4.25"	4.5"	4.75"	5"	

Rear Wheel Spacing

1" minimum with 0° camber. 1.5" minimum with T-Arms. The following apply if One Arm Drive is selected: 1.75" minimum with T-Arms. 1.25" minimum with select Rear Seat Heights. See Reference K on page 7.

0.75" 1" 1.25" 1.5" 1.75" _____ N/C

Rear Wheel Camber

The following apply if One Arm Drive is selected: 6° and 8° not available. 4° not available with T-Arms.

0° 2° 4° 6° 8° _____ N/C

Wheel Locks

Wheel Lock		Wheel Lock Options	
Push to Lock	N/C	Extension Handles	\$70
Push to Lock Flush Mount	N/C	<i>Available only with Push to Lock or Pull to Lock Wheel Locks</i>	
Pull to Lock	N/C	Grade Aids	\$187
Under Seat Scissor Lock	N/C	<i>Available only with Push to Lock Wheel Locks and Pneumatic or Pneumatic with Airless Insert tires</i>	
Low Profile Scissor Lock	\$50		
<i>Not available with Low Poly, Full Poly or Sentinel Solid tires</i>			
Omit	N/C		

Armrests

Armrests	
Height Adjustable T-Arm Desk (8.5" - 13.5") (E0973)	\$285
Height Adjustable T-Arm Full (8.5" - 13.5") (E0973)	\$285
Height Adjustable T-Arm Low Desk (6.5" - 10.5") (E0973)	\$285
<i>If requested configuration is unavailable, standard height T-Arm will be used. 14" minimum seat depth with Offset Frame.</i>	
Height Adjustable T-Arm Low Full (6.5" - 10.5") (E0973)	\$285
<i>If requested configuration is unavailable, standard height T-Arm will be used. 14" minimum seat depth with Offset Frame.</i>	
Swing Away (8.5" - 12.5") (E0973)	\$100
Omit	N/C

Side Guards

Direct Mount Side Guards		Clamp-On Mount Side Guards	
<i>Not available with T-Arms or Swing Away with Side Guard Armrests</i>		<i>Not available with T-Arms or Swing Away with Side Guard Armrests</i>	
Composite Side Guards - Direct Mount Receiver	\$75	Composite Side Guards - Clamp-On Receiver	\$105
Aluminum Straight - Direct Mount Receiver - Black Matte	\$355	Aluminum Straight - Clamp On Receiver - Black Matte	\$385
Aluminum Straight - Direct Mount Receiver - Match Frame Color	\$405	Aluminum Straight - Clamp-On Receiver - Match Frame Color	\$435
<i>Not available with Hydrographics</i>		<i>Not available with Hydrographics</i>	
Aluminum Adjustable Fender w/Foam Pad - Direct Mount Receiver - Black Matte	\$355	Aluminum Adjustable Fender w/Foam Pad - Clamp-On Receiver - Black Matte	\$385
<i>Not available with Adjustable Depth greater than 1/2"</i>		<i>Not available with Hydrographics</i>	
Aluminum Adjustable Fender w/Foam Pad - Direct Mount Receiver - Match Frame Color	\$405	Aluminum Adjustable Fender w/Foam Pad - Clamp-On Receiver - Match Frame Color	\$435
<i>Not available with Adjustable Depth greater than 1/2". Not available with Hydrographics.</i>		<i>Not available with Hydrographics</i>	
Carbon Fiber Adjustable Fender - Direct Mount Receiver	\$595	Carbon Fiber Adjustable Fender - Clamp-On Receiver	\$625
<i>Not available with Adjustable Depth greater than 1/2"</i>			

Accessories

Anti-Tips

Rear Anti-Tips	\$140
User Activated - Pair	\$460
User Activated - Left	\$230
User Activated - Right	\$230
Omit	N/C

Calf Strap

Velcro Adjustable	N/C
Padded Velcro Adjustable	\$85
Bodypoint Padded AeroMesh	\$123

Pelvic Positioning Belt

1 1/2" Auto Buckle Pelvic Positioning Belt	\$80
1 1/2" Padded Auto Buckle Pelvic Positioning Belt	\$170
Small Bodypoint Evoflex (16-24")	\$219
Medium Bodypoint Evoflex (19-29")	\$219
Large Bodypoint Evoflex (25-37")	\$219

Other Accessories

Tool Kit	\$60
Removable Underseat Pouch	\$75
Ki Mobility Backpack	\$90
Luggage Carrier	\$120
Black Neoprene Impact Guards	\$85
Under Chair Carrier and Removable Bag	\$85
<i>Not available with Seat Widths less than 14" or scissor locks</i>	
Cane and Crutch Holder	\$110

Belt Mounting Kit

Ki Mobility Belt Mounting Clamp	\$50
Bodypoint Belt Mounting Bracket Kit	\$126

Color

Options	Price	Colors																			
		Gloss												Matte							
		Black	Blue Skies	Bubblegum Pink	Candy Blue	Candy Purple	Candy Red	Copper	Granny Smith	MRGallic Orange	Silver	Teal	Yellow	Charcoal Gray	Emerald Green	Iridescent Burgundy	Iridescent Navy	Military Green	Retro Red	Royal Blue	Shadow Black
Frame	N/C																				
Backrest Release Bar	\$50																				
	N/C	Black Anodized																			
MAXX Mag Color																					

Colored Anodizing Package

Select desired color. If no selection is made, black will be used.

	Color	Black ¹	Blue	Bright Green	Gold	Orange	Pewter	Pink	Purple	Red
Retail		N/C	\$35	\$35	\$35	\$35	\$35	\$35	\$35	\$35
Option	Back Plates ²									
	Camber Tube ³									
	Towers									
	Side Guard Receiver									
	Caster Fork ³									

¹ Black is no charge

² Not available with Transit Option

³ Available only with Standard or Single Sided

References

A. Seat Width See Diagram 1

Measured from outside of frame tube on one side to outside of frame tube on other side.

B. Seat Depth See Diagram 3

Measured from front of back posts to front edge of seat sling. Seat sling starts at beginning of bend at front of frame.

C. Sling Position See Diagram 2

In Performance Position (0°), sling is at front of frame to keep chair shorter and more maneuverable. The 1" or 2" seat sling position extends the frame in front of the sling by that amount. Adding more frame can improve stability and provide support to aid in transfers.

D. Front Frame Bend See Diagram 3

Angle between front seat tube and ground.

E. Footrest Taper See Diagram 1

Indicates bend of front frame creating footrest. Taper is measured from outside of seat frame to outside of front tube.

F. Front Seat Height See Diagram 1

Measured from floor to top of seat tube at front of seat sling.

G. Footrest Width See Diagram 1

Measured from inside of front tube to inside of front tube on other side. Footrest width is listed below for each seat width and taper.

Seat Width	Straight	1" Y Taper	2" Y Taper	3.5° V Taper	7° V Taper
Outside Measurement	2" Narrower than Seat Width	4" Narrower than Seat Width	6" Narrower than Seat Width	4" Narrower than Seat Width	6" Narrower than Seat Width
12"	9.5"	7.5"		7.5"	
13"	10.5"	8.5"		8.5"	
14"	11.5"	9.5"		9.5"	
15"	12.5"	10.5"		10.5"	
16"	13.5"	11.5"	9.5"	11.5"	9.5"
17"	14.5"	12.5"	10.5"	12.5"	10.5"
18"	15.5"	13.5"	11.5"	13.5"	11.5"
19"	16.5"	14.5"	12.5"	14.5"	12.5"
20"	17.5"	15.5"	13.5"	15.5"	13.5"

H. Seat to Footrest Length See Diagram 3

Measured from front edge of seat sling to top rear of footrest. Footrest length of at least 2.5" shorter than front seat height recommended.

I. Rear Seat Height See Diagram 3

Measured from floor to top of seat tube at front of back post. Rear seat height is custom to needs.

J. Center of Gravity Preset See Diagram 3

Measured from front of back post to center of rear axle. 0" indicates axle will be directly under back post.

K. Rear Wheel Spacing See Diagram 1

Measured from outside of seat back to inside of rear tire. Adjustable out .5" from setting.

L. Caster Position See Diagram 4

The Optimized Position keeps the casters tighter to the frame for enhanced maneuverability. Expanded Position pushes the casters out .75" past the Optimized Position for increased stability.

Diagram 1

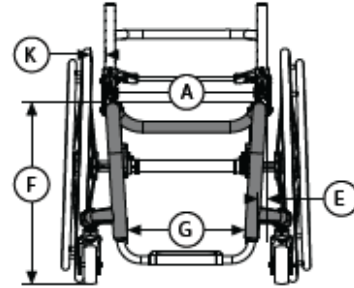


Diagram 2

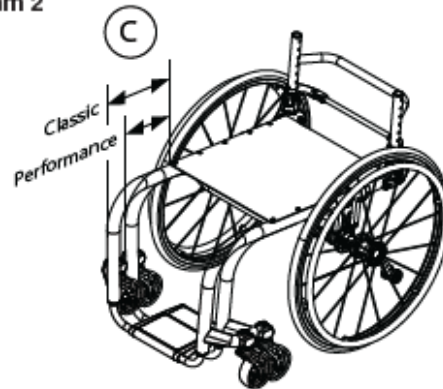


Diagram 3

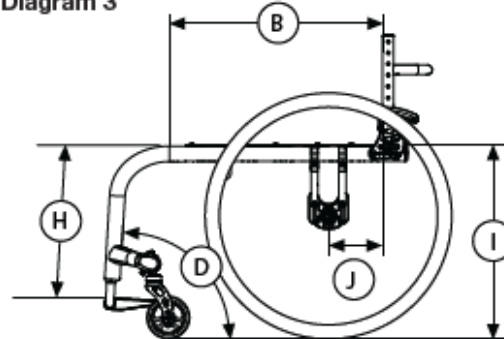


Diagram 4

