



Phone (800) 981-1540 | Fax (715) 254-0996
 sales@kimobility.com | www.kimobility.com



Company: _____ Ship To: _____
 Account Number: _____ Date: _____ Address: _____
 Quote: PO Number: _____ City: _____ Province: _____
 Clinician / Sales Rep: _____ Postal Code: _____ Phone: _____
 Marked For: _____ Email/Fax: _____
 Associated Quote/Order#: _____ **Submit Form** Effective: 1/10/2024

Arc - Rigid Base _____	\$4074
Arc - Folding Base _____	\$4247
165 lb weight capacity Price includes one time free growth kit Tilt range: 0° - 45° Maximum Seat Width of 18"	
ADP Code: WM0001901 (Pediatric), WM0001902 (Adult)	

Frame

Frame Width			
Frame Width Range	Frame Width		
Small (10" - 12")	10"	11"	12"
Medium (12" - 14")	12"	13"	14"
Large (14" - 16")	14"	15"	16"
X-Large (16" - 18")	16"	17"	18"

Frame Depth				
Frame Depth Range	Frame Width			
X-Short (12" - 15")	12" N/C	13" N/C	14" N/C	15" N/C
Short (14" - 17")	14" N/C	15" N/C	16" N/C	17" N/C
Medium (16" - 19")	16" N/C	17" N/C	18" N/C	19" N/C
Long (18" - 20")	18" N/C	19" WAMB N/C	20" WAMB \$584	

Transit Option
 Transit System _____ N/C

Offset Hanger Option
 Offset Hanger _____ N/C
Not available with X-Short 15" Frame Depth.

Tilt Mechanism
 Hand Tilt - Right WANA _____ N/C
 Hand Tilt - Left WANA _____ N/C
 Hand Tilt - Dual WANA _____ N/C
 Foot Tilt - Right WANA _____ N/C
 Foot Tilt - Left WANA _____ N/C

Seat Pan
 Growing Solid Seat Pan _____ \$323
 Omit Seat Pan _____ N/C

Vent and Battery Tray
Requires Rigid Base and Anti-Tips. Not available on frame widths less than 16" or Attendant Foot Lock or Foot Tilt.
 Vent Tray _____ \$343
 Battery Box Holder _____ \$343
Not available with X-Short Frame Depth Range.
 Vent Tray and Battery Box Holder _____ \$682
Not available with X-Short Frame Depth Range or Foot Tilt or Drum Brake or Hemi Wheel Lock. Must remove Ventilator and Battery for transit. Includes extended frame.



Phone (800) 981-1540 | Fax (715) 254-0996
sales@kimobility.com | www.kimobility.com



Backrest

Back Post / Height Range / Back Height

Stroller Handle Back Post (Short 20") (Folding)	N/C
Stroller Handle Back Post (Tall 24") (Folding)	N/C
Fixed Height Back with Folding Adjustable Handle (Short 22") (Folding)	N/C
<i>Not available with Dynamic Back.</i>	
Fixed Height Back with Folding Adjustable Handle (Tall 26") (Folding)	N/C
<i>Not available with Dynamic Back.</i>	
Reclining Back with Folding Adjustable Handle (Short 22") (Folding)	\$1163
<i>Not available with Dynamic Back or O2 Holder. Includes extended frame. Requires Anti-tips.</i>	
Reclining Back with Folding Adjustable Handle (Tall 26") (Folding)	\$1163
<i>Not available with Dynamic Back or O2 Holder. Includes extended frame. Requires Anti-tips.</i>	
Adjustable Height Back with Folding Adjustable Handle (Short 18" - 25")	N/C
<i>Not available with Dynamic Back.</i>	
Adjustable Height Back with Folding Adjustable Handle (Tall 20" - 27")	N/C
<i>20"-22" Heights not available with Dynamic Back.</i>	

Adjustable Height Back Post Height

18" Back Height	19" Back Height	20" Back Height	21" Back Height
22" Back Height	23" Back Height	24" Back Height	25" Back Height
26" Back Height	27" Back Height		N/C

Stroller Handle Extensions

Available only with Stroller Handle Back Post

Removable Stroller Handle Extension	\$185
-------------------------------------	-------

Other Backrest Options

Non Folding Back	N/C
<i>Standard with Dynamic Back.</i>	
Dynamic Back (E2398)	\$2665
<i>Not available with Flip Up Armrests. Available only with Non Folding Back.</i>	
Adjustable Height Rigidizer Bar	\$26
<i>Not available with Folding Base</i>	
Adjustable Height Folding Rigidizer Bar	\$241
<i>Not available with Reclining Back or Rigid Base</i>	

Footrest

Hanger / Front Frame Bend

Hanger	70°	80°	90°		Retail
Extension Tube Mount		1			N/C
Front Mount					N/C
Pro Elevating Leg Rests WAMK					\$302
Pediatric Pro Elevating Leg Rests ²					\$395
Omit Hangers					-\$20

1 Not available with 7" or 8" casters with Offset Hangers or 8" casters with Aluminum Angle Adjustable Footplates

2 Not available with Frame Widths less than 14" without Offset Hangers or Frame Widths less than 12" with Offset Hangers

PRO ELR Cover

Available only on PRO ELR.

Gel Pad Covers (PAIR)	\$595
-----------------------	-------

3" Extension

Available only with Front Mount Hangers. Not available with 90° hangers in combination with Offset Hangers and 8" casters.

3" Extension (Provided as Parts)	\$46
----------------------------------	------



Phone (800) 981-1540 | Fax (715) 254-0996
 sales@kimobility.com | www.kimobility.com

Footrest / Extension / Seat to Footrest Length

Select Extension and Seat to Footrest Length in row corresponding to desired Footrest. Footrest Length of at least 2.5" shorter than Front Seat Height recommended. Extension Tube Hanger measurements based on 70° Hanger Bend.

Footrest	Extension	Seat to Footrest Length											
		10"	10.5"	11"	11.5"	12"	12.5"	13"	13.5"	15.5"			
Extension Tube Hangers (70°,80°)	Short (10" - 13.5")	10"	10.5"	11"	11.5"	12"	12.5"	13"	13.5"				
	Medium (11.5" - 15.5")	11.5"	12"	12.5"	13"	13.5"	14"	14.5"	15"	15.5"			
	Long (14" - 18")	14"	14.5"	15"	15.5"	16"	16.5"	17"	17.5"	18"			
Front Mount Hangers ¹	Standard Selections										Requires 3" Extension for \$45		
	Short Front Mount Hanger	4" ⁵	4.5" ⁵	5"	5.5"	6"					8.5"	9"	9.5"
		6.5"	7"	7.5"	8"						10"	10.5"	11"
	Medium Front Mount Hanger	4" ⁴	4.5" ⁵	5"	5.5"	6"	6.5"	7"			10.5"	11"	11.5"
		7.5"	8"	8.5"	9"	9.5"	10"				12"	12.5"	13"
	Long Front Mount Hanger	5"	5.5"	6"	6.5"	7"	7.5"	8"	8.5"		12.5"	13"	13.5"
9"		9.5"	10"	10.5"	11"	11.5"	12"			14"	14.5"	15"	
Peds PRO ELR ²	Low Pivot Setting	6" ³	6.5" ³	7" ³	7.5" ³	8" ⁴	8.5"	9"	9.5"	10"	10.5"	11"	11.5"
	High Pivot Setting	6" ³	6.5" ³	7" ³	7.5" ³	8" ⁴	8.5"	9"	9.5"	10"			
PRO ELR Low Pivot Setting	PRO ELR Low Pivot Setting Short (10.5" - 15.5")	10.5" - 15.5"											
	PRO ELR Low Pivot Setting Long (13" - 19")	13" - 19"											
PRO ELR High Pivot Setting	PRO ELR High Pivot Setting Short (8.5" - 17")	8.5" - 17"											
	PRO ELR High Pivot Setting Long (11.5" - 17.5")	11.5" - 17.5"											

- ¹ See Minimum Front Seat Height chart below
- ² Comes standard with 3" Extension
- ³ Not available on chairs 14" wide or more
- ⁴ Not available on chairs 15" wide or more
- ⁵ Available only with 90° Front Mount Hangers

Minimum Front Seat Height with Front Mount Hangers						
Hanger Length	Short		Medium		Long	
	70°	80/90°	70°	80/90°	70°	80°
Minimum Front Seat Height with Standard Selection	14.5"	14.5"	14.5"	14.5"	14.5"	15.5"
Minimum Front Seat Height with 3" Extension	14.5"	14.5"	15.5"	16"	17"	18"



Phone (800) 981-1540 | Fax (715) 254-0996
 sales@kimobility.com | www.kimobility.com

Footplates

No selection needed with Contracture Footrest.

- Composite _____ N/C
Not available with Front Mount Hanger, Frame Widths less than 14" without Offset Hangers, Frame Widths less than 12" with Offset Hanger.
- Composite Angle Adjustable WAMJ _____ \$210
Not available with Front Mount Hanger or 10"-12" Frame Widths. 13" and 14" Frame Widths require Offset Hanger.
- Aluminum Angle Adjustable WAMJ _____ \$164
- Aluminum Locking Multi-Angle Adjustable _____ \$436
Available only with Front Mount Hanger.

Heel Loops

Not available with One Piece Flip Up Angle Adjustable Footplate.

- Heel Loops _____ \$67
Not available with Frame Widths less than 14" without Offset Hangers or Frame Widths less than 12" with Offset Hangers.
- Adjustable Heel Loops _____ \$46
- Omit Heel Loops _____ N/C

Calf Straps

- Velcro Adjustable _____ \$56
- Padded Velcro Adjustable _____ \$92
- Bodypoint Padded AeroMesh _____ \$144

Hanger Release

No selection needed with Contracture Footrest. If no selection is made

4-Way - In line will be used.

- Classic _____ N/C
- 4-Way - In-Line _____ N/C
Allows chair to be folded without removing footrest hanger. Not available with PRO ELR or Peds PRO ELR.
- 4-Way - Out _____ N/C
Not available with PRO ELR or Peds PRO ELR.

Residual Limb Support

	Limb Support	Price	Omit	Cover		Pad Size					
						5X8 Pad Left Side	7X10 Pad Left Side	9x10 Pad Left Side	9x14 Pad Left Side	11x10 Pad Left Side	11x14 Pad Left Side
Left	Left Limb Support	\$492	Omit Left Hanger	Smooth Cover Left	Air Mesh Cover Left	5X8 Pad Left Side	7X10 Pad Left Side	9x10 Pad Left Side	9x14 Pad Left Side	11x10 Pad Left Side	11x14 Pad Left Side
Right	Right Limb Support	\$492	Omit Right Hanger	Smooth Cover Right	Air Mesh Cover Right	5X8 Pad Right Side	7X10 Pad Right Side	9x10 Pad Right Side	9x14 Pad Right Side	11x10 Pad Right Side	11x14 Pad Right Side

Seat Height, Casters, and Rear Wheels

Select Seat Height corresponding to desired Rear Wheel and Caster Size.

Rear Wheel Size	Caster Size			
	5"	6"	7"	8"
12" with Pneumatic or Pneumatic with Airless Insert Tire	Seat Height			
	14.5"			
	15"			
	15.5"	15.5"		
	16"	16"		
12" with Full Poly Tire	14.5"			
	15"			
	15.5"	15.5"		
	16"	16"		
12" with Drum Brake	14.5"			
	15"			
	15.5"	15.5"		
	16"	16"		
	16.5"	16.5"		
16" with Pneumatic, Pneumatic with Airless Insert or Full Poly Tire	14.5"			
	15"			
	15.5"	15.5"		
	16"	16"		
	16.5"	16.5"		
	17"	17"	17"	
	17.5"	17.5"	17.5"	
	18"	18"	18"	18"
	18.5"	18.5"	18.5"	18.5"

Rear Wheel Size	Caster Size			
	5"	6"	7"	8"
16" With Low Poly Tire	Seat Height			
	14.5"			
	15"			
	15.5"	15.5"		
	16"	16"		
	16.5"	16.5"		
16" with Drum Brake	17"	17"	17"	
	17.5"	17.5"	17.5"	
	15"			
	15.5"	15.5"		
	16"	16"		
	16.5"	16.5"		
20"	17"	17"	17"	
	17.5"	17.5"	17.5"	
	18"	18"	18"	18"
	18.5"	18.5"	18.5"	18.5"
	19"	19"	19"	19"
	15"			
	15.5"	15.5"		
	16"	16"		
	16.5"	16.5"		

Castors

Caster Type	Description	Price	Caster Size			
			5"	6"	7"	8"
.75" Lighted Rollerblade		\$92				
1" Poly		N/C				
1" Poly Aluminum		\$133				
1" Pneumatic		\$97				
1.5" Poly		\$103				
1.5" Soft Roll Aluminum		\$185				
2" Poly		\$118				

Axles

No selection needed with Drum Brake.

Fixed _____ N/C
 Quick Release _____ N/C

Wheels

Rear Wheel Type	Description	Price	Rear Wheel Size		
			12"	16"	20" ¹
Mag		N/C			
Colored Mag ²		\$144			
MAXX Spoke		\$267			

¹ Not available with Attendant Foot Lock
² Mag color selection on page 7

Rear Tire Type

Low Poly _____ N/C
 Available only with 16" wheel size.

Full Poly _____ N/C
 Pneumatic _____ N/C
 Pneumatic with Airless Insert 1 3/8" _____ \$138

Handrims

Handrims not available on 12" or 16" wheel sizes.

Aluminum Anodized _____ N/C
 Plastic Coated WAMO _____ \$159
 Omit Handrim _____ N/C



Phone (800) 981-1540 | Fax (715) 254-0996
 sales@kimobility.com | www.kimobility.com



Wheel Locks

Wheel Lock		Wheel Lock Options	
Push to Lock	N/C	Extension Handles	\$72
Pull to Lock	N/C	<i>Available only with Push to Lock or Pull to Lock Wheel Locks.</i>	
<i>Not available with 12" or 16" Full Poly tires.</i>			
Attendant Foot Lock	N/C		
<i>Not available with 20" wheels. Mounted to the right side unless Foot Tilt - Right is selected.</i>			
Drum Brake	\$851		
<i>Available only with 12" Mag, 16" Mag, or MAXX Spoke wheels. Not available with 16" Low Poly tire or Recline Back or Vent and Battery Tray or Hand Tilt. Axle is Quick Release.</i>			
Dual - Drum Brake with Push to Lock	\$1010		
<i>Available only with 12" Mag, 16" Mag, or MAXX Spoke wheels. Not available with 16" Low Poly tire or Recline Back or Vent and Battery Tray or Hand Tilt. Axle is Quick Release.</i>			
Dual - Drum Brake with Pull to Lock	\$1010		
<i>Available only with 12" Mag, 16" Mag, or MAXX Spoke wheels. Not available with 16" Low Poly tire or Recline Back or Vent and Battery Tray or Hand Tilt. Axle is Quick Release.</i>			
Hemi Wheel Lock - Right	\$400		
<i>Not available with 20" wheels. Extension Handle included.</i>			
Hemi Wheel Lock - Left	\$400		
<i>Not available with 20" wheels. Extension Handle included.</i>			
Omit	N/C		

Armrest

Armrest Type	Length	Price	Armrest Type	Length	Price
Height Adjustable T-Arm Tall (11.5"-15")	Desk	\$400	Angle Adjustable Locking Extendable Flip Up ⁴	Desk	\$333
	Full			Full	
Height Adjustable Pediatric ¹	Desk(6.5"-9")	\$251	Tubular Flip Up ⁵		N/C
	Desk Tall(8"-10.5")				
Height Adjustable T-Arm (8.5"-13.5") ²	Desk	\$400	Omit Armrests		N/C
	Full				
Height Adjustable T-Arm Low (6.5"-10.5") ³	Desk	\$400			
	Full				

- ¹ Best fit with Frame Depths less than 14"
- ² Not available with 12" Frame
- ³ Not available with 12" Frame Depth. If requested configuration is unavailable, Standard Height T-Arm will be used.
- ⁴ Not available with Dynamic Back. Available only with 12" and 16" Rear Wheels.
- ⁵ Not available with Dynamic Back, Reclining Back or Arm Pads

Arm Pads	
Standard Arm Pad	N/C
Waterfall Arm Pad	\$36
<i>Not available with Angle Adjustable Locking Extendable Flip Up Armrest.</i>	
Foam Grip	N/C
<i>Available only with Angle Adjustable Locking Extendable Flip Up Armrest.</i>	

Accessories

Removable Side Guards

Not available with Height Adjustable Armrests.

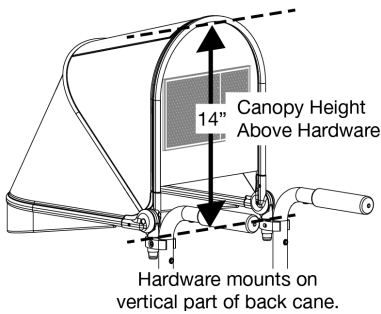
Adult Composite Side Guards (14" - 16") WAMV	\$164
Pediatric Composite Side Guards (10" - 14") WAMV	\$164

Pelvic Positioning Belts

1" Auto Buckle Pelvic Positioning Belt	\$118
1" Padded Auto Buckle Pelvic Positioning Belt	\$195
1 1/2" Auto Buckle Pelvic Positioning Belt	\$118
1 1/2" Padded Auto Buckle Pelvic Positioning Belt	\$195
1 1/2" Padded Auto Buckle Pelvic Positioning Belt	\$123
Small Bodypoint Evoflex (16-24")	\$241
Medium Bodypoint Evoflex (19-29")	\$241
Large Bodypoint Evoflex (25-37")	\$241

Belt Mounting Kit

Belt Mounting Band Clamp	\$26
Seat Belt Mounting Hardware	\$21



Anti-Tips

Rear Anti-Tips	\$123
Omit	N/C

Spoke Guards

Available only with MAXX Spoke

Clear Spoke Guards WAMP	\$138
Blue Monster Spoke Guards WAMP	\$359
Robo Fun Spoke Guards WAMP	\$359
Tutu Cute Spoke Guards WAMP	\$359
Tuxedo Time Spoke Guards WAMP	\$359

Other Accessories

Tool Kit	\$36
Removable Underseat Pouch	\$82
Pediatric Ki Mobility Backpack	\$97
Ki Mobility Backpack	\$97
Black Neoprene Impact Guards	\$108
Tilt Stop Posterior (Pair)	\$51
Tilt Stop Anterior (Pair)	\$51
IV Pole	\$200
O2 Holder	\$390
<i>Mounted to the left side. Must remove tank for transit.</i>	
Canopy with Hardware	\$364
<i>See image to the left.</i>	

Color

Select desired base frame and seat frame / hanger colors. If no Seat Frame color is selected, Base Frame color will be used.

Options	Price	Colors																				
		Gloss										Matte										
		Black	Blue Skies	Bubblegum Pink	Candy Blue	Candy Purple	Candy Red	Copper	Granny Smith	Metallic Orange	Silver	Teal	Yellow	Charcoal Gray	Emerald Green	Iridescent Burgundy	Iridescent Navy	Military Green	Retro Red	Royal Blue	Shadow Black	Smooth White
Seat Frame	N/C																					
Base Frame	N/C																					
Mag Color																						



Phone (800) 981-1540 | Fax (715) 254-0996
 sales@kimobility.com | www.kimobility.com



Axiom for Kids P - Positioning Cushion

Weight Capacity 165 lbs / 75 kg. Cushion includes 2 outer covers of the selected color. Cover Color Code Black=BLK, Blue=BLU, Purple=PUR.

Width	8"	9"	10"	11"	12"	13"	14"	15"	16"	
Retail	\$673									
Depth	8"	PXP0808BLK	PXP0908BLK	PXP1008BLK						
		PXP0808BLU	PXP0908BLU	PXP1008BLU						
		PXP0808PUR	PXP0908PUR	PXP1008PUR						
	9"	PXP0809BLK	PXP0909BLK	PXP1009BLK	PXP1109BLK					
		PXP0809BLU	PXP0909BLU	PXP1009BLU	PXP1109BLU					
		PXP0809PUR	PXP0909PUR	PXP1009PUR	PXP1109PUR					
	10"	PXP0810BLK	PXP0910BLK	PXP1010BLK	PXP1110BLK	PXP1210BLK	PXP1310BLK			
		PXP0810BLU	PXP0910BLU	PXP1010BLU	PXP1110BLU	PXP1210BLU	PXP1310BLU			
		PXP0810PUR	PXP0910PUR	PXP1010PUR	PXP1110PUR	PXP1210PUR	PXP1310PUR			
	11"			PXP1011BLK	PXP1111BLK	PXP1211BLK	PXP1311BLK	PXP1411BLK		
				PXP1011BLU	PXP1111BLU	PXP1211BLU	PXP1311BLU	PXP1411BLU		
				PXP1011PUR	PXP1111PUR	PXP1211PUR	PXP1311PUR	PXP1411PUR		
	12"			PXP1012BLK	PXP1112BLK	PXP1212BLK	PXP1312BLK	PXP1412BLK		
				PXP1012BLU	PXP1112BLU	PXP1212BLU	PXP1312BLU	PXP1412BLU		
				PXP1012PUR	PXP1112PUR	PXP1212PUR	PXP1312PUR	PXP1412PUR		
	13"			PXP1013BLK	PXP1113BLK	PXP1213BLK	PXP1313BLK	PXP1413BLK	PXP1513BLK	
				PXP1013BLU	PXP1113BLU	PXP1213BLU	PXP1313BLU	PXP1413BLU	PXP1513BLU	
				PXP1013PUR	PXP1113PUR	PXP1213PUR	PXP1313PUR	PXP1413PUR	PXP1513PUR	
	14"			PXP1014BLK	PXP1114BLK	PXP1214BLK	PXP1314BLK	PXP1414BLK	PXP1514BLK	PXP1614BLK
				PXP1014BLU	PXP1114BLU	PXP1214BLU	PXP1314BLU	PXP1414BLU	PXP1514BLU	PXP1614BLU
				PXP1014PUR	PXP1114PUR	PXP1214PUR	PXP1314PUR	PXP1414PUR	PXP1514PUR	PXP1614PUR
	15"					PXP1215BLK	PXP1315BLK	PXP1415BLK	PXP1515BLK	PXP1615BLK
						PXP1215BLU	PXP1315BLU	PXP1415BLU	PXP1515BLU	PXP1615BLU
						PXP1215PUR	PXP1315PUR	PXP1415PUR	PXP1515PUR	PXP1615PUR
16"					PXP1216BLK	PXP1316BLK	PXP1416BLK	PXP1516BLK	PXP1616BLK	
					PXP1216BLU	PXP1316BLU	PXP1416BLU	PXP1516BLU	PXP1616BLU	
					PXP1216PUR	PXP1316PUR	PXP1416PUR	PXP1516PUR	PXP1616PUR	
17"						PXP1317BLK	PXP1417BLK	PXP1517BLK	PXP1617BLK	
						PXP1317BLU	PXP1417BLU	PXP1517BLU	PXP1617BLU	
						PXP1317PUR	PXP1417PUR	PXP1517PUR	PXP1617PUR	
18"						PXP1318BLK	PXP1418BLK	PXP1518BLK	PXP1618BLK	
						PXP1318BLU	PXP1418BLU	PXP1518BLU	PXP1618BLU	
						PXP1318PUR	PXP1418PUR	PXP1518PUR	PXP1618PUR	



Phone (800) 981-1540 | Fax (715) 254-0996
 sales@kimobility.com | www.kimobility.com



Axiom for Kids SP - Skin Protection and Positioning Cushion

Weight Capacity 165 lbs. / 75 kg. Cushion includes 2 outer covers of the selected color. Cover Color Code Black=BLK, Blue=BLU, Purple=PUR.

Width	8"	9"	10"	11"	12"	13"	14"	15"	16"	
Retail	\$745									
Depth	8"	PXSP0808BLK	PXSP0908BLK	PXSP1008BLK						
		PXSP0808BLU	PXSP0908BLU	PXSP1008BLU						
		PXSP0808PUR	PXSP0908PUR	PXSP1008PUR						
	9"	PXSP0809BLK	PXSP0909BLK	PXSP1009BLK	PXSP1109BLK					
		PXSP0809BLU	PXSP0909BLU	PXSP1009BLU	PXSP1109BLU					
		PXSP0809PUR	PXSP0909PUR	PXSP1009PUR	PXSP1109PUR					
	10"	PXSP0810BLK	PXSP0910BLK	PXSP1010BLK	PXSP1110BLK	PXSP1210BLK	PXSP1310BLK			
		PXSP0810BLU	PXSP0910BLU	PXSP1010BLU	PXSP1110BLU	PXSP1210BLU	PXSP1310BLU			
		PXSP0810PUR	PXSP0910PUR	PXSP1010PUR	PXSP1110PUR	PXSP1210PUR	PXSP1310PUR			
	11"			PXSP1011BLK	PXSP1111BLK	PXSP1211BLK	PXSP1311BLK	PXSP1411BLK		
				PXSP1011BLU	PXSP1111BLU	PXSP1211BLU	PXSP1311BLU	PXSP1411BLU		
				PXSP1011PUR	PXSP1111PUR	PXSP1211PUR	PXSP1311PUR	PXSP1411PUR		
	12"			PXSP1012BLK	PXSP1112BLK	PXSP1212BLK	PXSP1312BLK	PXSP1412BLK		
				PXSP1012BLU	PXSP1112BLU	PXSP1212BLU	PXSP1312BLU	PXSP1412BLU		
				PXSP1012PUR	PXSP1112PUR	PXSP1212PUR	PXSP1312PUR	PXSP1412PUR		
	13"			PXSP1013BLK	PXSP1113BLK	PXSP1213BLK	PXSP1313BLK	PXSP1413BLK	PXSP1513BLK	
				PXSP1013BLU	PXSP1113BLU	PXSP1213BLU	PXSP1313BLU	PXSP1413BLU	PXSP1513BLU	
				PXSP1013PUR	PXSP1113PUR	PXSP1213PUR	PXSP1313PUR	PXSP1413PUR	PXSP1513PUR	
	14"			PXSP1014BLK	PXSP1114BLK	PXSP1214BLK	PXSP1314BLK	PXSP1414BLK	PXSP1514BLK	PXSP1614BLK
				PXSP1014BLU	PXSP1114BLU	PXSP1214BLU	PXSP1314BLU	PXSP1414BLU	PXSP1514BLU	PXSP1614BLU
				PXSP1014PUR	PXSP1114PUR	PXSP1214PUR	PXSP1314PUR	PXSP1414PUR	PXSP1514PUR	PXSP1614PUR
	15"					PXSP1215BLK	PXSP1315BLK	PXSP1415BLK	PXSP1515BLK	PXSP1615BLK
						PXSP1215BLU	PXSP1315BLU	PXSP1415BLU	PXSP1515BLU	PXSP1615BLU
						PXSP1215PUR	PXSP1315PUR	PXSP1415PUR	PXSP1515PUR	PXSP1615PUR
16"					PXSP1216BLK	PXSP1316BLK	PXSP1416BLK	PXSP1516BLK	PXSP1616BLK	
					PXSP1216BLU	PXSP1316BLU	PXSP1416BLU	PXSP1516BLU	PXSP1616BLU	
					PXSP1216PUR	PXSP1316PUR	PXSP1416PUR	PXSP1516PUR	PXSP1616PUR	
17"						PXSP1317BLK	PXSP1417BLK	PXSP1517BLK	PXSP1617BLK	
						PXSP1317BLU	PXSP1417BLU	PXSP1517BLU	PXSP1617BLU	
						PXSP1317PUR	PXSP1417PUR	PXSP1517PUR	PXSP1617PUR	
18"						PXSP1318BLK	PXSP1418BLK	PXSP1518BLK	PXSP1618BLK	
						PXSP1318BLU	PXSP1418BLU	PXSP1518BLU	PXSP1618BLU	
						PXSP1318PUR	PXSP1418PUR	PXSP1518PUR	PXSP1618PUR	

Accessories

Extra Cover

Extra Cover Black	\$169
Extra Cover Blue	\$169
Extra Cover Purple	\$169

Solid Seat Insert

Solid Seat Insert	\$87
-------------------	------

Axiom for Kids Back Width (all models)	Fits back Frame Widths
10" (25.5 cm)	9" - 11" (23 cm - 28 cm)
12" (30.5 cm)	11" - 13" (28 cm - 33 cm)
14" (35.5 cm)	13" - 15" (33 cm - 38 cm)
16" (40.5 cm)	15" - 17" (38 cm - 43 cm)



Axiom for Kids PL - Posterior Lateral Back

Includes Lumbar Pad. Weight capacity 165 lbs. (75 kg). Includes Axiom DEX for Kids Hardware.

		Width			
		10	12	14	16
Retail		\$1100			
Height	10	PXPL1010			
	12	PXPL1012	PXPL1212	PXPL1412	
	14	PXPL1014	PXPL1214	PXPL1414	PXPL1614
	16		PXPL1216	PXPL1416	PXPL1616
	18				PXPL1618

Axiom for Kids AL - Posterior Back for Adjustable Laterals

Back

Weight capacity 165 lbs. (75 kg). Includes Axiom DEX for Kids Hardware.

		Width			
		10"	12"	14"	16"
Retail		\$1445			
Height	10"	PXAL1010			
	12"	PXAL1012	PXAL1212	PXAL1412	
	14"	PXAL1014	PXAL1214	PXAL1414	PXAL1614
	16"		PXAL1216	PXAL1416	PXAL1616
	18"				PXAL1618



Phone (800) 981-1540 | Fax (715) 254-0996
 sales@kimobility.com | www.kimobility.com



Axiom for Kids - Adjustable Laterals Trunk Supports (for PXAL Back)

Not available for Posterior Back for Contoured Adjustable Laterals (PXALCL)

Description	Item Code	Retail
3 x 4 Lateral Trunk Pads, Flat with Fixed Mounting Hardware (Pair)	PLF3x4PP	\$236
4 x 5 Lateral Trunk Pads, Flat with Fixed Mounting Hardware (Pair)	PLF4x5PP	\$236
3 x 4 Lateral Trunk Pads, Flat with Swing Away Mounting Hardware (Pair)	PLTAS3x4PP	\$760
4 x 5 Lateral Trunk Pads, Flat with Swing Away Mounting Hardware (Pair)	PLTAS4x5PP	\$760
3 x 4 Lateral Trunk Pads, Curved with Swing Away Mounting Hardware (Pair)	PLTASC3x4PP	\$760
4 x 5 Lateral Trunk Pads, Curved with Swing Away Mounting Hardware (Pair)	PLTASC4x5PP	\$760

Axiom for Kids - Adjustable Lateral Pelvic Supports (for PXAL Back)

Not available for Posterior Back for Contoured Adjustable Laterals (PXALCL)

Description	Item Code	Retail
3 x 4 Lateral Pelvic Pads with Fixed Mounting Hardware (Pair)	PLPF3x4PP	\$236
4 x 5 Lateral Pelvic Pads with Fixed Mounting Hardware (Pair)	PLPF4x5PP	\$236
3 x 4 Lateral Pelvic Pads with Swing Away Mounting Hardware (Pair)	PLASP3x4PP	\$760
4 x 5 Lateral Pelvic Pads with Swing Away Mounting Hardware (Pair)	PLASP4x5PP	\$760

Axiom for Kids ALCL - Posterior Back for Contoured Adjustable Laterals

Back

Requires Contoured Adjustable Lateral Trunk Support selection below. Weight capacity 165 lbs. (75 kg). Includes Axiom DEX for Kids Hardware.

		Width			
		10"	12"	14"	16"
Retail		\$1850			
Height	10"	PXAL1010CL			
	12"	PXAL1012CL	PXAL1212CL	PXAL1412CL	
	14"	PXAL1014CL	PXAL1214CL	PXAL1414CL	PXAL1614CL
	16"		PXAL1216CL	PXAL1416CL	PXAL1616CL
	18"				PXAL1618CL

Axiom for Kids - Contoured Adjustable Lateral Trunk Supports (for PXALCL Back)

Description	Item Code	Retail
3" Contoured Lateral Wings with Fixed Mounting Hardware (Pair)	PCL3	\$200
4" Contoured Lateral Wings with Fixed Mounting Hardware (Pair)	PCL4	\$200

4" Contoured Lateral Wings are not available on 10" or 12" Back Heights



Phone (800) 981-1540 | Fax (715) 254-0996
 sales@kimobility.com | www.kimobility.com



Accessories

Axiom for Kids Back Accessories & Modifications

Extra Lumbar Pad	\$71
Privacy Flap	\$73
Axiom DEX for Kids Hardware Extension	\$136
Axiom for Kids Adjustable Shoulder Guides	\$136

Headrests

Description	Standard Straight Removable Adjustable Hardware		Multi-Axis Removable Adjustable Hardware		Posalinc Removable Adjustable Hardware		Posalinc Flip-Back Adjustable Hardware	
	Item Code	Retail	Item Code	Retail	Item Code	Retail	Item Code	Retail
Comfort Soft Headrest 8"	CS08SS	\$496	CS08MA	\$527	CS08PL	\$741	CS08PLF	\$815.71
Comfort Soft Headrest 10"	CS10SS	\$496	CS10MA	\$527	CS10PL	\$741	CS10PLF	\$815.71
Comfort Soft Headrest 14"	CS14SS	\$496	CS14MA	\$527	CS14PL	\$741	CS14PLF	\$815.71
Contour Positioning Pad, 8" X 6.25"	CP08SS	\$496	CP08MA	\$527	CP08PL	\$741	CP08PLF	\$815.71
Contour Positioning Pad, 9" X 6.5"	CP09SS	\$496	CP09MA	\$527	CP09PL	\$741	CP09PLF	\$815.71
Contour Positioning Pad, 10" X 7.5"	CP10SS	\$496	CP10MA	\$527	CP10PL	\$741	CP10PLF	\$815.71
Tri-soft Headrest 10"	TS10SS	\$496	TS10MA	\$527	TS10PL	\$741	TS10PLF	\$815.71
Tri-soft Headrest 14"	TS14SS	\$496	TS14MA	\$527	TS14PL	\$741	TS14PLF	\$815.71

Headrest Hardware

Not required with Axiom Headrests

Description	Item Code	Retail
Universal Headrest Mounting Plate	UMP	\$51

Anterior Trunk Supports

Description	Item Code	Retail
Dynaform Chest Support: 2-Piece with Hook&Loop, 3" High Pad, Small	14941	\$179
Dynaform Chest Support: 2-Piece with Hook&Loop, 4" High Pad, Medium	14942	\$179
Dynaform Chest Support: 2-Piece with Hook&Loop, 5" High Pad, Large	14943	\$179
Dynaform Chest Support: 1-Piece with Buckle, 3" Height x 20" Width, Small	14924	\$158
Dynaform Chest Support: 1-Piece with Buckle, 4" Height x 20" Width, Medium	14927	\$158
Dynaform Chest Support: 1-Piece with Buckle, 4" Height x 22" Width, Large	14928	\$158
Dynaform Anterior Trunk Support: Standard, Dynamic, X-Small	14851	\$186
Dynaform Anterior Trunk Support: Standard, Dynamic, Small	14852	\$186
Dynaform Anterior Trunk Support: Standard, Dynamic, Medium	14853	\$186
Dynaform Anterior Trunk Support: Standard, Dynamic, Large	14854	\$186
Dynaform Anterior Trunk Support: Slim Cut, Dynamic, X-Small	14856	\$186
Dynaform Anterior Trunk Support: Slim Cut, Dynamic, Small	14857	\$186
Dynaform Anterior Trunk Support: Slim Cut, Dynamic, Medium	14858	\$186
Dynaform Anterior Trunk Support: Slim Cut, Dynamic, Large	14859	\$186
AirLogic Anterior Trunk Support: Standard, Structure, Small	14282	\$250
AirLogic Anterior Trunk Support: Standard, Structure, Medium	14283	\$250
AirLogic Anterior Trunk Support: Standard, Structure, Large	14284	\$250
AirLogic Anterior Trunk Support: Slim Cut, Dynamic, Small	14257	\$250
AirLogic Anterior Trunk Support: Slim Cut, Dynamic, Medium	14258	\$250



Phone (800) 981-1540 | Fax (715) 254-0996
sales@kimobility.com | www.kimobility.com



Painted Back Shell Modification

If no selection is made, standard Shadow Black will be used with no additional lead time

Gloss Finish

Black	N/C
Blue Skies	N/C
Bubblegum Pink	N/C
Candy Blue	N/C
Candy Purple	N/C
Candy Red	N/C
Copper	N/C
Granny Smith	N/C
Metallic Orange	N/C
Silver	N/C
Teal	N/C
Yellow	N/C

Matte Finish

Charcoal Gray	N/C
Emerald Green	N/C
Iridescent Burgundy	N/C
Iridescent Navy	N/C
Military Green	N/C
Retro Red	N/C
Royal Blue	N/C
Smooth White	N/C