

# AXIOM

## G | P | S

USER INSTRUCTION MANUAL AND WARRANTY



# Axiom-G, Axiom-P and Axiom-S

## IMPORTANT CONSUMER INFORMATION

**NOTICE:** This manual contains instructions for use with the Ki Mobility Axiom-G, Axiom-P and Axiom-S foam cushion products. This information must be provided to the consumer of this product. Do not remove this manual before delivery to the consumer of this product.

**Supplier:** This manual must be given to the consumer of this product.

**Consumer:** Read the entire owner's manual prior to using this product and keep on-hand for future reference.

**NOTICE:** Check all parts for shipping damage. In case of damage, DO NOT use. Contact the supplier or Ki Mobility for further instructions.

## Cushion Features



1. Foam Cushion	2. 4-Way Stretch Cover
3. Front Handle	4. Water Resistant Zipper and Zipper Pull

**MAXIMUM USER WEIGHT: 350 lbs (158 kilos)**

## A. Selecting the Proper Seating Product

Ki Mobility recommends that you consult with a licensed clinician (i.e. Physician or therapist) trained in wheelchair seating and positioning before selecting any seating and positioning product. This will help ensure you receive the right product for your specific needs. Axiom Seating and Positioning products should only be installed by an authorized Ki Mobility supplier.

## B. Become Familiar with this Manual

Before using this cushion, you and each person who may assist you, should read this entire owner's manual and follow all instructions. Review the Warnings often, until they are second nature to you.

## C. Warnings

The word "WARNING" refers to a hazard or unsafe practice that may cause severe injury or death to you or to other persons.

## D. Check Your Skin Daily

These Axiom Seating and Positioning products are designed to improve pressure distribution and increase sitting tolerance. Whether the cushion provided will meet your individual needs cannot be assured in advance. The integrity of your skin can be affected by many aspects of your daily life and medical condition, including the use of this product. Be sure to follow any skin care regimens established by your clinician.

Users of this product should make sure their skin is inspected daily for changes. If you see changes, discontinue the use of this product immediately and consult with your clinician. A key clinical indicator of tissue breakdown is skin redness. If your skin develops redness, discontinue the use of this product immediately and consult your clinician. Be especially careful to inspect the areas related to the bony prominences of the pelvis such as your trochanters and ischial tuberosities.

### **▲ WARNING ▲**

**WARNING:** Failure to perform proper skin inspection or continuing to use a cushion after skin changes are present can affect your skin integrity, resulting in serious injury or death.

## E. General Warnings

### **▲ WARNING ▲**

**WARNING:** Do not use or install this cushion without first reading and understanding this manual. Please contact your authorized Ki Mobility supplier or your clinician if you are unable to understand the Warnings and Instructions. Failure to do so could result in serious injury or death.

### **▲ WARNING ▲**

**WARNING:** The adhesive on hook and loop closures (commonly known as "Velcro") may degrade over time and reduce its ability to secure the cushion. This could cause you to fall from your wheelchair, resulting in serious injury.

### **▲ WARNING ▲**

**WARNING:** The installation of a cushion on a wheelchair could affect the center of gravity of the wheelchair. Changes in your center of gravity may affect your stability in your wheelchair, resulting in tipping over or falling from your wheelchair which may result in serious injury. Always review the instructions for use of your wheelchair to see if changes to the wheelchair may be needed to provide sufficient stability after adding a cushion.

### **▲ WARNING ▲**

**WARNING:** The integrity of your skin can be effected by many aspects of your daily life and medical condition, including the use of this product. Be sure to follow any skin care regimens established by your clinician. Consumers of this product should make sure their skin is inspected routinely for changes as directed by their clinician. Failure to do so could result in serious injury or death.

## F. Protecting Your Cushion

Avoid prolonged exposure to adverse environmental conditions. This may include excessive exposure to sunlight and temperatures, either hot or cold. This can result in the degradation of the performance of your cushions.

### ▲ WARNING ▲

**WARNING:** Failure to protect your cushion may lead to changes that can affect your skin integrity, resulting in serious injury or death.

Although your cushion has been manufactured in accordance with its labeled flammability standards, you should avoid exposing your cushion to open flames or extreme heat sources such as a burning cigarette. This may cause your cushion to ignite or emit harmful gases.

### ▲ WARNING ▲

**WARNING:** Failure to protect your cushion from extreme heat may cause your cushion to ignite or emit harmful gases, resulting in serious injury or death.

## G. Obstructions

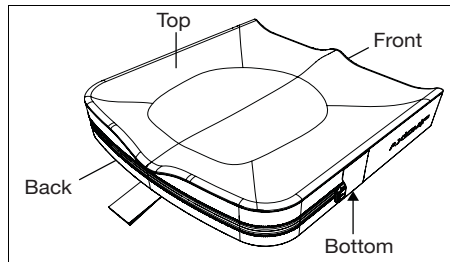
To ensure your cushion works effectively, avoid obstructions between your bottom and your cushion. Failure to do so will lessen the effectiveness of the product, potentially causing pressure points on the skin and body.

### ▲ WARNING ▲

**WARNING:** Pressure points can affect your skin integrity, resulting in serious injury or death.

## H. Cover Orientation

Your cushion was designed to be sat on in a specific orientation and it must be placed properly in your wheelchair with the cover oriented correctly with the foam base. It is labeled to indicate the proper orientation.



### ▲ WARNING ▲

**WARNING:** Failure to properly orient the cushion and cover can affect your skin integrity, resulting in serious injury or death.

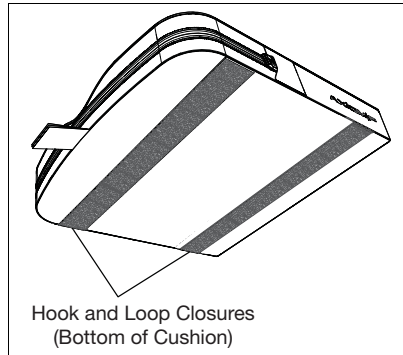
## Set-Up, Adjustment and Care

### A. Fitting Your Cushion and Wheelchair

#### 1. Initial Cushion Set-Up Without User in Seated Position

- In determining the right cushion for you, ensure the dimensions are appropriate considering the width and length of your wheelchair sling or seat pan. If you are unsure, consult your authorized Ki Mobility supplier or your clinician.

- Place the cushion in the chair with the material identification tags facing the rear of the chair and the cushion handle oriented toward the front of the chair. The non-skid texture should be facing the seat sling or seat pan on your wheelchair.
- It is important that during normal use the cushion is retained in the wheelchair. It is also important that the cushion is not displaced during transfers that might cause you to slip or fall. Your cushion has hook and loop closures and a non-skid bottom to facilitate retention in a wheelchair. Ensure the cushion hook and loop closures align and mate with the wheelchair hook and loop closures. If your wheelchair sling or seat pan does not have hook and loop closures, or they do not align with the cushion, you should consult your authorized Ki Mobility supplier or your clinician to ensure the cushion is appropriate.



**▲ WARNING ▲**

**WARNING:** Failure to properly select a cushion that fits your wheelchair can affect your skin integrity which can result in serious injury or death.

**▲ WARNING ▲**

**WARNING:** Failure to properly orient the cushion and cover can affect your skin integrity which can result in serious injury or death.

**▲ WARNING ▲**

**WARNING:** Failure to properly select the cushion and cover that can be retained in the wheelchair can cause you to fall from your wheelchair, resulting in serious injury.

**▲ WARNING ▲**

**WARNING:** Avoid using the cushion on overly stretched seat sling upholstery. Stretched upholstery does not provide adequate support for the cushion and improper positioning may result. This can affect your skin integrity, resulting in serious injury or death.

**2. Wheelchair Set-Up and Adjustment for your Cushion**

- Ensure hips are placed properly in the back of the wheelchair and cushion as directed by your authorized Ki Mobility supplier or your clinician.
- Ensure your footrests are adjusted to the proper height, as directed by your authorized Ki Mobility supplier or your clinician.
- Ensure your back support is properly positioned and adjusted for your seated posture, as directed by your authorized Ki Mobility supplier or your clinician.

**▲ WARNING ▲**

**WARNING:** Failure to ensure that the wheelchair is properly adjusted for use with the cushion can affect your skin integrity, resulting in serious injury or death.

## B. Maintenance

Regular cleaning and maintenance may help extend the life of your cushion. You should inspect your cushion weekly. During cleaning, component inspection is recommended.

1. Check Cover for Tears and Excessive Wear
  - a. Remove cover and check for abnormalities (inside and out).
  - b. Check the foam base for breakdown or degradation.

### **⚠ WARNING ⚠**

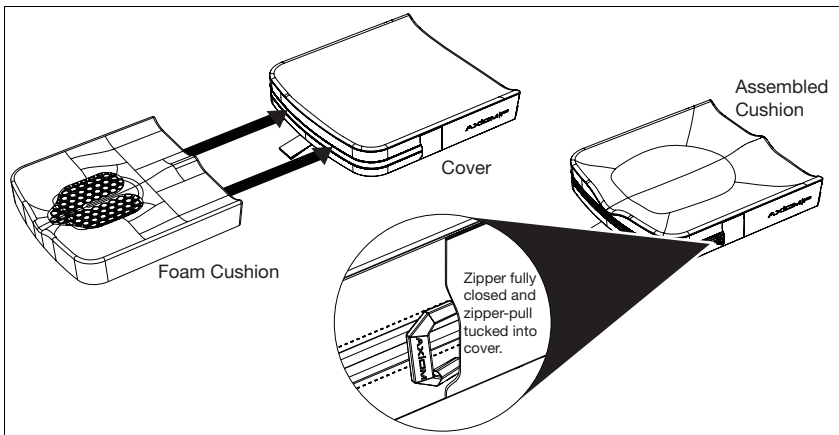
**WARNING:** If you find any abnormalities, such as the foam breaking down, discontinue the use of this product immediately and consult with your authorized Ki Mobility supplier or clinician. Failure to do so can affect your skin integrity, resulting in serious injury or death.

## C. Cleaning

1. Cleaning the Cover
  - a. Remove the outer cover from the foam base and zip closed.
  - b. Machine wash in warm water and tumble dry - no heat. Do not iron. Note - Do not dry clean covers or use industrial washers and dryers to clean cover. Do not steam auto-clave. Do not bleach.
  - c. To refit cover after washing, fit cover back over foam base. Ensure the back of the cover matches up to the back of the foam base. Note - If utilized in an institutional setting, write the residents name with a permanent marker on the content label of the cover. This will ensure the return of the correct cover to its matching cushion after washing.
2. Cleaning the Foam Base
  - a. Remove the outer cover from the foam base and wipe lightly with a damp cloth. Do not use soap. Do not submerge in water. Wipe off with a clean cloth.
  - b. Let your cushion completely air-dry before reassembly.

## D. Reassembling Your Axiom Cushion After Cleaning

1. After Proper Cleaning and Maintenance
  - a. Insert the foam base into the cover with the label down and the zipper to the rear of the cushion.
  - b. Close the zippers on your cushion ensuring that the zipper-pulls end up closed with the pull tucked into the zipper pocket cover. Check that the serial and regulatory tags are at the rear of the foam base.



# KI MOBILITY LIMITED WARRANTY

## A. For 24 Months

Ki Mobility warrants the cushion to be free from defects in materials and workmanship for a period of 24 months. This limited warranty applies to:

1. Axiom-G, Axiom-P and Axiom-S Cushion Bases

For a period of 24 months (2 years) from the date of purchase, provided normal use, should a defect in materials or workmanship occur, Ki Mobility will, at its option, repair or replace it without charge. This warranty does not apply to punctures, tears, or burns.

## B. For 6 Months

Ki Mobility warrants the cushion to be free from defects in materials and workmanship for a period of 6 months. This limited warranty applies to:

1. Axiom-G, Axiom-P and Axiom-S Removable Covers

For a period of 6 months from the date of purchase, provided normal use, should a defect in materials or workmanship occur, Ki Mobility will, at its option, repair or replace it without charge. This warranty does not apply to punctures, tears or burns.

## C. Limitations

1. We do not warrant:
  - a. Damage from neglect, accident, misuse, or from improper installation or repair.
  - b. Products modified without Ki Mobility's express written consent.
  - c. Damage from exceeding the weight limit.
2. This warranty is VOID if the original cushion tag is removed or altered.
3. This warranty applies in the USA only. Check with your supplier to find out if international warranties apply.
4. This warranty is not transferable and only applies to the first consumer purchase of this product through an authorized Ki Mobility supplier.

## D. What We Will Do

Our sole liability is to repair or replace covered parts. This is the exclusive remedy for consequential damages.

## E. What You Must Do

1. Obtain from us, while this warranty is in effect, prior approval for return or repair of covered parts.
2. Claims and repairs should be processed through the nearest authorized supplier. Except for express warranties made herein, all other warranties, including implied warranties of merchantability and warranties of fitness for a particular purpose are excluded.

## F. Notice to Consumer

1. If allowed by law, this warranty is in place of any other warranty (written or oral, express or implied, including a warranty of merchantability, or fitness for a particular purpose).
2. This warranty gives you certain legal rights. You may also have other rights that vary from state to state.

**Record your lot number here for future reference:**



**Ki Mobility**

5201 Woodward Drive  
Stevens Point, Wisconsin 54481  
715-254-0991  
[www.kimobility.com](http://www.kimobility.com)

**Authorized EU Representative**

James Leckey Design  
19C Ballinderry Road  
Lisburn  
BT28 2SA  
0800-318265 (UK) or 1800-626020 (ROI)  
[www.leckey.com](http://www.leckey.com)



DCN0193.0