



Phone (800) 981-1540 | Fax (715) 254-0996
 sales@kimobility.com | www.kimobility.com



Effective 05/23/2017

Company: _____

Ship To: _____

Account Number: _____ Date: _____

Address: _____

Quote PO Number: _____

City: _____ State: _____

RTS: _____

Zip: _____ Phone: _____

Marked For: _____

Email/Fax: _____

Little Wave XP K0005, E1235 **\$2495**
 Little Wave Width Growable Frame. 165 lb weight capacity.

HCPCS codes provided are based on code verification by the PDAC or our interpretation of the code definitions.

Proper use of HCPCS codes does not ensure coverage or payment. For coverage information, verify the appropriate payer's coverage policy.

Frame

Seat Width / Seat Depth

Select box corresponding to desired Seat Width and Depth. See references A and B on page 6.

		Seat Width						
		10"	11"	12"	13"	14"	15"	16"
Seat Depth	10"	<input type="checkbox"/>	<input type="checkbox"/>	<input type="checkbox"/>	<input type="checkbox"/>	<input type="checkbox"/>	<input type="checkbox"/>	<input type="checkbox"/>
	11"	<input type="checkbox"/>	<input type="checkbox"/>	<input type="checkbox"/>	<input type="checkbox"/>	<input type="checkbox"/>	<input type="checkbox"/>	<input type="checkbox"/>
	12"	<input type="checkbox"/>	<input type="checkbox"/>	<input type="checkbox"/>	<input type="checkbox"/>	<input type="checkbox"/>	<input type="checkbox"/>	<input type="checkbox"/>
	13"	<input type="checkbox"/>	<input type="checkbox"/>	<input type="checkbox"/>	<input type="checkbox"/>	<input type="checkbox"/>	<input type="checkbox"/>	<input type="checkbox"/>
	14"	<input type="checkbox"/>	<input type="checkbox"/>	<input type="checkbox"/>	<input type="checkbox"/>	<input type="checkbox"/>	<input type="checkbox"/>	<input type="checkbox"/>
	15"	<input type="checkbox"/>	<input type="checkbox"/>	<input type="checkbox"/>	<input type="checkbox"/>	<input type="checkbox"/>	<input type="checkbox"/>	<input type="checkbox"/>
	16"	<input type="checkbox"/>	<input type="checkbox"/>	<input type="checkbox"/>	<input type="checkbox"/>	<input type="checkbox"/>	<input type="checkbox"/>	<input type="checkbox"/>

Sling Position

In Performance Position (0"), sling is at front of frame. The 1" or 2" sling position extends the frame in front of the sling by that amount. See reference C on page 6.

- 0" (Performance) _____ N/C
- 1" _____ N/C
- 2" (Classic) _____ N/C

Backrest

Back Post / Height Range / Back Height

Select Back Height in row corresponding to desired Back Post and Height Range. 16" maximum Back Height with 10" - 12" Seat Widths.

Back Post	Price	Height Range	Back Height				
			11 ³	12 ⁴	13	14	17
Height Adjustable	N/C	Short	<input type="checkbox"/>	<input type="checkbox"/>	<input type="checkbox"/>	<input type="checkbox"/>	<input type="checkbox"/>
		Medium	<input type="checkbox"/>	<input type="checkbox"/>	<input type="checkbox"/>	<input type="checkbox"/>	<input type="checkbox"/>
		Tall	<input type="checkbox"/>	<input type="checkbox"/>			
Fixed Height ¹	\$65		<input type="checkbox"/>	<input type="checkbox"/>	<input type="checkbox"/>	<input type="checkbox"/>	<input type="checkbox"/>
			<input type="checkbox"/>	<input type="checkbox"/>	<input type="checkbox"/>	<input type="checkbox"/>	<input type="checkbox"/>
Offset ²	\$95		<input type="checkbox"/>	<input type="checkbox"/>	<input type="checkbox"/>	<input type="checkbox"/>	<input type="checkbox"/>
			<input type="checkbox"/>	<input type="checkbox"/>			

¹ Not available with back upholstery
² Fixed Height. Adjustable Height Rigidizer Bar Included.
³ Not available with Fold Down Push Handle
⁴ Fold Down Push Handle requires Height Adjustable Rigidizer Bar

Transit Option

125 lb maximum weight capacity

- Transit System K0108 _____ N/C

Adjustable Depth

Adds the capability to grow seat in depth

- No Rear Adjustment _____ N/C
- 1/2" _____ N/C
- 1" _____ N/C
- 2" _____ N/C
- 3" _____ N/C

Long Sling

Available only with 1", 2" and 3" Adjustable Depth

- Long Sling _____ N/C
Sling will be maximum 2" longer than seat depth

Front Frame Bend

Angle between front seat tube and ground. See reference D on page 6.

- 90° _____ N/C
- 85° _____ N/C
- 80° _____ N/C
- 75° _____ N/C
- 70° _____ N/C

Push Handle

- Omit Push Handles _____ N/C
- Standard Push Handles _____ \$15
Not available on Offset Back Posts with 11" - 14" Back Heights
- Bolt-On Push Handles _____ \$175
Handles will be 1" - 2" above back height
- Fold Down Push Handle _____ \$100

Offset Back Post Option

Selection required with Offset Back Posts. Not available with Height Adjustable or Fixed Height Back Posts. Each back post is offset 1" creating 2" overall offset.

- 2" Inward Offset _____ N/C
- 2" Outward Offset _____ N/C
Not available with Swing Away Armrests

Backrest continued

Stroller Handle

Stroller Handles are removable and height adjustable

Ergo Stroller Handle _____ \$185
 Single Stroller Handle _____ \$165
 Double Stroller Handle _____ \$330
Not available with Push Handles or 10" Seat Width

Seat Back Angle

Standard is 90° (perpendicular to floor). Minus (-°) closes back angle. Plus (+°) opens back angle.

Standard +3° +6° +9°
 -3° -6° -9° -12°

Rigidizer Bar

Included with Offset Back Posts

Adjustable Height Rigidizer Bar _____ \$15

Back Upholstery

Available only with Height Adjustable Back Posts

Padded Velcro Adjustable _____ Std
 Tension Adjustable E2611 _____ \$295
 Omit Back Upholstery _____ -\$10

Front Seat Height and Casters

Caster Size / Footrest Taper / Front Seat Height

Select Front Seat Height in row corresponding to desired Footrest Taper and Caster Size. 6" Casters not available with Seat Depths less than 13". Footrest Taper indicates bend of front frame creating footrest width. Taper is measured from outside of seat frame to outside of front tube. See reference E on page 6.

Front Seat Height is measured from floor to top of seat tube at front of seat sling. Adjustable up or down by 1/2". See reference F on page 6.

Footrest Taper	Caster Size	Front Seat Height														
		<input type="checkbox"/> 11.5	<input type="checkbox"/> 12	<input type="checkbox"/> 12.5	<input type="checkbox"/> 13	<input type="checkbox"/> 13.5	<input type="checkbox"/> 14	<input type="checkbox"/> 14.5	<input type="checkbox"/> 15	<input type="checkbox"/> 15.5	<input type="checkbox"/> 16	<input type="checkbox"/> 16.5	<input type="checkbox"/> 17	<input type="checkbox"/> 17.5	<input type="checkbox"/> 18	<input type="checkbox"/> 18.5
Straight	3"	<input type="checkbox"/>	<input type="checkbox"/>	<input type="checkbox"/>	<input type="checkbox"/>	<input type="checkbox"/>	<input type="checkbox"/>	<input type="checkbox"/>	<input type="checkbox"/>	<input type="checkbox"/>	<input type="checkbox"/>	<input type="checkbox"/>	<input type="checkbox"/>	<input type="checkbox"/>	<input type="checkbox"/>	<input type="checkbox"/>
	4"	<input type="checkbox"/>	<input type="checkbox"/>	<input type="checkbox"/>	<input type="checkbox"/>	<input type="checkbox"/>	<input type="checkbox"/>	<input type="checkbox"/>	<input type="checkbox"/>	<input type="checkbox"/>	<input type="checkbox"/>	<input type="checkbox"/>	<input type="checkbox"/>	<input type="checkbox"/>	<input type="checkbox"/>	<input type="checkbox"/>
	5"	<input type="checkbox"/>	<input type="checkbox"/>	<input type="checkbox"/>	<input type="checkbox"/>	<input type="checkbox"/>	<input type="checkbox"/>	<input type="checkbox"/>	<input type="checkbox"/>	<input type="checkbox"/>	<input type="checkbox"/>	<input type="checkbox"/>	<input type="checkbox"/>	<input type="checkbox"/>	<input type="checkbox"/>	<input type="checkbox"/>
	6"	<input type="checkbox"/>	<input type="checkbox"/>	<input type="checkbox"/>	<input type="checkbox"/>	<input type="checkbox"/>	<input type="checkbox"/>	<input type="checkbox"/>	<input type="checkbox"/>	<input type="checkbox"/>	<input type="checkbox"/>	<input type="checkbox"/>	<input type="checkbox"/>	<input type="checkbox"/>	<input type="checkbox"/>	<input type="checkbox"/>
1" Taper	3"	<input type="checkbox"/>	<input type="checkbox"/>	<input type="checkbox"/>	<input type="checkbox"/>	<input type="checkbox"/>	<input type="checkbox"/>	<input type="checkbox"/>	<input type="checkbox"/>	<input type="checkbox"/>	<input type="checkbox"/>	<input type="checkbox"/>	<input type="checkbox"/>	<input type="checkbox"/>	<input type="checkbox"/>	<input type="checkbox"/>
	4"	<input type="checkbox"/>	<input type="checkbox"/>	<input type="checkbox"/>	<input type="checkbox"/>	<input type="checkbox"/>	<input type="checkbox"/>	<input type="checkbox"/>	<input type="checkbox"/>	<input type="checkbox"/>	<input type="checkbox"/>	<input type="checkbox"/>	<input type="checkbox"/>	<input type="checkbox"/>	<input type="checkbox"/>	<input type="checkbox"/>
	5"	<input type="checkbox"/>	<input type="checkbox"/>	<input type="checkbox"/>	<input type="checkbox"/>	<input type="checkbox"/>	<input type="checkbox"/>	<input type="checkbox"/>	<input type="checkbox"/>	<input type="checkbox"/>	<input type="checkbox"/>	<input type="checkbox"/>	<input type="checkbox"/>	<input type="checkbox"/>	<input type="checkbox"/>	<input type="checkbox"/>
	6"	<input type="checkbox"/>	<input type="checkbox"/>	<input type="checkbox"/>	<input type="checkbox"/>	<input type="checkbox"/>	<input type="checkbox"/>	<input type="checkbox"/>	<input type="checkbox"/>	<input type="checkbox"/>	<input type="checkbox"/>	<input type="checkbox"/>	<input type="checkbox"/>	<input type="checkbox"/>	<input type="checkbox"/>	<input type="checkbox"/>

Caster Type

.75" Rollerblade _____ N/C
Not available with 5" and 6" Caster Sizes

.75" Lighted Rollerblade _____ \$70
Not available with 6" Caster Size

1" Poly _____ N/C
Not available with 3" Caster Size

1" Poly Aluminum _____ \$100
Not available with 3" and 6" Caster Sizes

1" Pneumatic _____ \$80
Not available with 3", 4" and 5" Caster Sizes

1.5" Poly _____ \$50
Not available with 3" Caster Size

1.5" Soft Roll Aluminum _____ \$175

Fork Options

Standard Fork _____ Std
 Single Sided Fork _____ \$125
Not available with 6" Casters

Frog Legs Ultra-Sport Fork - Black E1015 _____ \$425
End User Weight Required: _____ lbs

Frog Legs PHASE 2 Carbon Fork **New!** _____ \$425
Lightweight shock absorbing fork

Footrest

Footplate

- Tubular "Open" Footplate _____ N/C
Not available with footrest widths less than 9.5". See Reference G on page 6.
- Tubular Footplate with ABS Cover _____ \$30
Not available with footrest widths less than 9.5". See Reference G on page 6.
- Aluminum Angle Adjustable K0040 _____ \$95
- Aluminum Angle Adjustable with Riser K0040, K0037 _____ \$185
- High Mount Aluminum Angle Adjustable K0040, K0037 _____ \$160
- Angle Adjustable Flip Under K0040, K0037 _____ \$185
Not available with footrest widths less than 9.5". See Reference G on page 6.
- High Mount Angle Adjustable Flip Under K0040, K0037 _____ \$270

Seat to Footrest Length

Measured from front edge of seat sling to top, rear of footrest. Footrest length at least 2.5" shorter than Front Seat Height recommended. See reference H on page 6.

<input type="checkbox"/> 5.5"	<input type="checkbox"/> 6"	<input type="checkbox"/> 6.5"	<input type="checkbox"/> 7"	<input type="checkbox"/> 7.5"	<input type="checkbox"/> 8"
<input type="checkbox"/> 8.5"	<input type="checkbox"/> 9"	<input type="checkbox"/> 9.5"	<input type="checkbox"/> 10"	<input type="checkbox"/> 10.5"	<input type="checkbox"/> 11"
<input type="checkbox"/> 11.5"	<input type="checkbox"/> 12"	<input type="checkbox"/> 12.5"	<input type="checkbox"/> 13"	<input type="checkbox"/> 13.5"	<input type="checkbox"/> 14"
<input type="checkbox"/> 14.5"	<input type="checkbox"/> 15"	<input type="checkbox"/> 15.5"	<input type="checkbox"/> 16"	<input type="checkbox"/> 16.5"	<input type="checkbox"/> 17"

Rear Seat Height and Wheels

Wheel Size / Rear Seat Height

Select Rear Seat Height in row corresponding to desired Wheel Size. For proper setup, selection is required when omitting rear wheels. Measured from floor to top of seat tube at front of back post. Rear Seat Height is custom to needs. See reference I on page 6.

Wheel Size	Rear Seat Height															
18"	<input type="checkbox"/> 11.5 ¹	<input type="checkbox"/> 12	<input type="checkbox"/> 12.5	<input type="checkbox"/> 13	<input type="checkbox"/> 13.5	<input type="checkbox"/> 14	<input type="checkbox"/> 14.5	<input type="checkbox"/> 15	<input type="checkbox"/> 15.5	<input type="checkbox"/> 16	<input type="checkbox"/> 16.5	<input type="checkbox"/> 17	<input type="checkbox"/> 17.5	<input type="checkbox"/> 18	<input type="checkbox"/> 18.5	<input type="checkbox"/> 19
20"	<input type="checkbox"/> 12.5 ¹	<input type="checkbox"/> 13	<input type="checkbox"/> 13.5	<input type="checkbox"/> 14	<input type="checkbox"/> 14.5	<input type="checkbox"/> 15	<input type="checkbox"/> 15.5	<input type="checkbox"/> 16	<input type="checkbox"/> 16.5	<input type="checkbox"/> 17	<input type="checkbox"/> 17.5	<input type="checkbox"/> 18	<input type="checkbox"/> 18.5	<input type="checkbox"/> 19	<input type="checkbox"/> 19.5	<input type="checkbox"/> 20
22"	<input type="checkbox"/> 13.5 ¹	<input type="checkbox"/> 14	<input type="checkbox"/> 14.5	<input type="checkbox"/> 15	<input type="checkbox"/> 15.5	<input type="checkbox"/> 16	<input type="checkbox"/> 16.5	<input type="checkbox"/> 17	<input type="checkbox"/> 17.5	<input type="checkbox"/> 18	<input type="checkbox"/> 18.5	<input type="checkbox"/> 19	<input type="checkbox"/> 19.5	<input type="checkbox"/> 20		
24"	<input type="checkbox"/> 14.5 ¹	<input type="checkbox"/> 15	<input type="checkbox"/> 15.5	<input type="checkbox"/> 16	<input type="checkbox"/> 16.5	<input type="checkbox"/> 17	<input type="checkbox"/> 17.5	<input type="checkbox"/> 18	<input type="checkbox"/> 18.5	<input type="checkbox"/> 19	<input type="checkbox"/> 19.5	<input type="checkbox"/> 20				

¹ Available only with Low Profile Rear Tire Type

Rear Wheel Type

- Spoke _____ N/C
 - Mag _____ \$50
Not available in 18" rear wheel
 - Spinergy Spox _____ \$795
Not available in 18" rear wheel
- Color: Black Red White Blue Yellow
- Handrim: Short Tab Long Tab
Available only with Aluminum Anodized and Plastic Coated Handrims

Handrim

Standard Handrims

- Aluminum Anodized _____ Std
- Plastic Coated _____ \$95
- Projection (8 Vertical Projections) _____ \$315
Available on 22" and 24" Spoke wheels & 24" Mag wheels with full tires
- Omit Handrim _____ N/C

Natural Fit Handrims

Not available on 18" or 20" rear wheels or 22" Mag wheels. Not recommended with Mag wheels.

- Natural Fit LT Regular Grip _____ \$445
- Natural Fit Standard Regular Grip _____ \$445
- Natural Fit LT Super Grip _____ \$495
- Natural Fit Standard Super Grip _____ \$495
- Natural Fit LT Omit Grip _____ \$345
- Natural Fit Standard Omit Grip _____ \$345

Rear Tire Type

Full Profile

- Street Pneumatic 1 3/8" E2211, E2212 _____ Std
- Full Poly 1 3/8" E2218 _____ \$75
- Pneumatic with Airless Insert 1 3/8" E2211, E2213 _____ \$95

Low Profile

- Low Poly 1" E2218 _____ \$75
- High Pressure 1" E2211, E2212 _____ \$95
Not available on Mag or 18" rear wheel
- Schwalbe Marathon Plus Evolution 1" E2211, E2212 _____ \$125
Available only on 24" Spoke or Spinergy wheels

Handrim Option

- 3M Micro Grip _____ \$65
Not available on Plastic Coated or Projection Handrims

Rear Seat Height and Wheels continued

Wheelchair Drive Ready

Chair will ship from Ki Mobility with adaption kit installed for selected Alber system. Order system separately from Alber USA. Select Rear Seat Height (full profile selections only) in drive wheel size on Rear Seat Height chart (page 3). Requires Rear Anti-Tips. Not available with 5th Wheel or Spinergy wheels.

- e-motion Ready _____ N/C
- twion Ready _____ N/C
- Camber Selection: 0° 3°

Rear Wheel Spacing

Measured from outside of back to inside of rear tire. Adjustable out 1/2" from setting. 1.5" minimum Rear Wheel Spacing with Height Adjustable T-Arm Armrest, 1.25" minimum with Height Adjustable Pediatric Desk Armrest, 1" minimum with 0° Rear Wheel Camber. See reference K on page 6. No selection needed with Wheelchair Drive Ready option.

- .75" 1" 1.25" 1.5" 1.75"

Rear Wheel Camber

- 0° 2° 4° 6° 8°

Wheel Locks

Wheel Lock

- Push to Lock _____ Std
- Pull to Lock _____ N/C
- Short Thro Scissor Lock _____ \$125
- Low Profile Scissor Lock _____ \$45
Not available with Low Poly tire
- Omit Wheel Locks _____ N/C

Armrests

Armrest Please select Arm Pad option

- Height Adjustable T-Arm (8.5" - 13.5") E0973 _____ \$265
Not available with Seat Depths less than 13". 1.5" minimum Rear Wheel Spacing.
- Height Adjustable T-Arm Low (7.5" - 11.5") E0973 _____ \$265
Not available with Seat Depths less than 12". 1.5" minimum Rear Wheel Spacing.
- Height Adjustable Pediatric Desk (6.5" - 10") E0973 _____ \$225
Best fit with Seat Depths less than 14". 1.25" minimum Rear Wheel Spacing.
- Angle Adjustable Locking Extendable Flip Up E0973 _____ \$265
Requires Fixed Height Backrest and Adjustable Height Rigidizer Bar. Not available with back heights less than 12".

Side Guards

Removable Side Guards

- Not available with Height Adjustable Armrests*
- Composite Side Guards - Adult (14" - 16") K0108 _____ \$140
 - Composite Side Guards - Pediatric (10" - 14") K0108 _____ \$140

Center of Gravity Preset

Measured from front of back post to center of rear axle. 0" indicates axle will be directly under back post. See reference J on page 6.

Amputee Positions

<input type="checkbox"/> -1.5"	<input type="checkbox"/> -1.25"	<input type="checkbox"/> -1"	<input type="checkbox"/> -.75"
<input type="checkbox"/> -.5"	<input type="checkbox"/> -.25"	<input type="checkbox"/> 0"	<input type="checkbox"/> .25"

Standard Positions

<input type="checkbox"/> .5"	<input type="checkbox"/> .75"	<input type="checkbox"/> 1"	<input type="checkbox"/> 1.25"
<input type="checkbox"/> 1.5"	<input type="checkbox"/> 1.75"	<input type="checkbox"/> 2"	<input type="checkbox"/> 2.25"
<input type="checkbox"/> 2.5"	<input type="checkbox"/> 2.75"	<input type="checkbox"/> 3"	<input type="checkbox"/> 3.25"
<input type="checkbox"/> 3.5"	<input type="checkbox"/> 3.75"	<input type="checkbox"/> 4"	<input type="checkbox"/> 4.25"

Axle

- Quick Release _____ Std
- Quad Quick Release _____ \$185
Not available with Mag wheels

Wheel Lock Options

- Extension Handles E0961 _____ \$67
Available only with Push to Lock or Pull to Lock Wheel Locks
- Grade Aids E0974 _____ \$150
Available only with Push to Lock Wheel Locks and Pneumatic or Pneumatic w/ Airless Insert Rear Tire Types

Arm Pad

- Not available with Tubular Flip Up or Swing Away Armrests. Full Arm Pads not available with Height Adjustable Pediatric Desk Armrests.*
- Standard Arm Pad _____ N/C Desk Full
 - Waterfall Arm Pad _____ \$25 Desk Full
Not available with Angle Adjustable Locking Flip Up Extendable Armrests
 - Foam Grip _____ N/C Desk Full
Available only with Angle Adjustable Locking Extendable Flip Up Armrest

Armrest continued

- Tubular Flip Up _____ \$50
Not available with Arm Pads or back heights less than 12". Requires Fixed Height Backrest and Adjustable Height Rigidizer Bar.
- Swing Away (8.5" - 12.5") E0973 _____ \$195
Not available with Transit System AND more than 2" Adjustable Depth. Not available with Arm Pads or Outward Offset Back Posts.
- Omit Armrests _____ N/C

- Fender Side Guards K0108 _____ \$250

Accessories

5th Wheel

Rotating removable rear caster. Not available with anti-tips. See reference L on page 6.

- Standard 5th Wheel E0971 _____ \$210
 - Dynamic 5th Wheel K0108 _____ \$210
- Elastomer: Soft Firm

Both elastomers are included; the selected elastomer will be installed

Anti-Tip

Not available with 5th wheel

- Rear Anti-Tips E0971 _____ \$140

Positioning Belt

- 1" Auto Buckle E0978 _____ \$70
 - 1" Padded Auto Buckle E0978 _____ \$155
 - 1 1/2" Auto Buckle E0978 _____ \$70
 - 1 1/2" Padded Auto Buckle E0978 _____ \$155
 - 2" Airline Buckle E0978 _____ \$110
 - Bodypoint Evoflex - Pelvic Stabilizer E0978 _____ \$183
- Size: Small (16-24") Medium (19-29") Large (25-37")

Belt Mounting Kit

- Ki Mobility Belt Mounting Clamp **New!** _____ \$35
- Bodypoint Belt Mounting Bracket Kit _____ \$105

Frame Color

Gloss Finish

- Black _____ N/C
- Blue Skies _____ N/C
- Bubblemum Pink _____ N/C
- Candy Blue _____ N/C
- Candy Purple _____ N/C
- Candy Red _____ N/C
- Copper _____ N/C
- Fuchsia _____ N/C
- Granny Smith _____ N/C
- Yellow _____ N/C

Matte Finish

- Army Green _____ N/C
- Charcoal Gray _____ N/C
- Emerald Green _____ N/C
- Iridescent Burgundy _____ N/C
- Iridescent Navy _____ N/C
- Retro Red _____ N/C
- Royal Blue _____ N/C
- Shadow Black _____ N/C
- Smooth White _____ N/C

Graphic Image Transfer

*Visit www.kimobility.com for current graphic image transfer options
 Note selection below*

- _____ \$595

Calf Strap

- Velcro Adjustable K0038 _____ \$35
- Padded Velcro Adjustable K0038 _____ \$68
- Bodypoint Padded AeroMesh K0038 _____ \$102

Seat Pan

- Solid Seat Pan E2231 _____ \$245
- Seat Pan is 1" longer when Long Sling option is selected*

Other Accessories

- Tool Kit _____ \$45
 - Removable Underseat Pouch _____ \$50
 - Pediatric Ki Mobility Backpack **New!** _____ \$65
 - Ki Mobility Backpack _____ \$65
- Best fit on chairs more than 10" wide*
- Luggage Carrier **New!** _____ \$85
 - Black Neoprene Impact Guards _____ \$85
 - Clear Spoke Guards K0065 _____ \$115
- Not available with Mag wheels*
- Black Spoke Guards K0065 _____ \$115
- Not available with 18" or 20" rear wheels or Mag wheels*
- Cane and Crutch Holder _____ \$195

References

A. Seat Width See Diagram 1

Measured from outside of frame tube on one side to outside of frame tube on other side.

B. Seat Depth See Diagram 3

Measured from front of back posts to front edge of seat sling. Seat sling starts at beginning of bend at front of frame.

C. Sling Position See Diagram 2

In Performance Position (0°), sling is at front of frame to keep chair shorter and more maneuverable. The 1" or 2" seat sling position extends the frame in front of the sling by that amount. Adding more frame can improve stability and provide support to aid in transfers.

D. Front Frame Bend See Diagram 3

Angle between front seat tube and ground.

E. Footrest Taper See Diagram 1

Indicates bend of front frame creating footrest. Taper is measured from outside of seat frame to outside of front tube.

F. Front Seat Height See Diagram 1

Measured from floor to top of seat tube at front of seat sling.

G. Footrest Width See Diagram 1

Measured from inside of front tube to inside of front tube on other side. Footrest width is listed below for each seat width and taper.

Seat Width	Straight	1" Taper
Outside Measurement	2" Narrower than Seat Width	4" Narrower than Seat Width
10"	7.5"	
11"	8.5"	
12"	9.5"	7.5"
13"	10.5"	8.5"
14"	11.5"	9.5"
15"	12.5"	10.5"
16"	13.5"	11.5"

H. Seat to Footrest Length See Diagram 3

Measured from front edge of seat sling to top rear of footrest. Footrest length of at least 2.5" shorter than front seat height recommended.

I. Rear Seat Height See Diagram 3

Measured from floor to top of seat tube at front of back post. Rear seat height is custom to needs.

J. Center of Gravity Preset See Diagram 3

Measured from front of back post to center of rear axle. 0" indicates axle will be directly under back post.

K. Rear Wheel Spacing See Diagram 1

Measured from outside of seat back to inside of rear tire. Adjustable out .5" from setting.

L. 5th Wheel See Diagram 4

Rotating removable 5th wheel allows for aggressive center of gravity positioning of the rear wheels.

Diagram 1

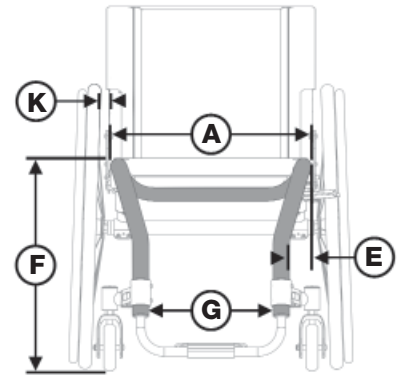


Diagram 2

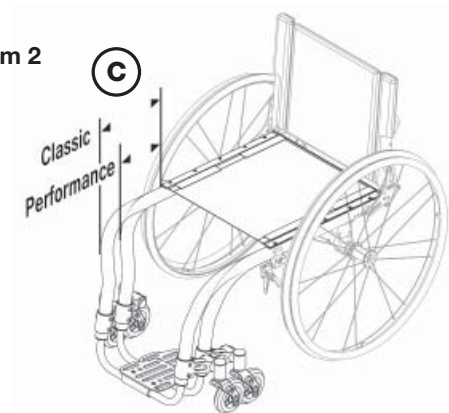


Diagram 3

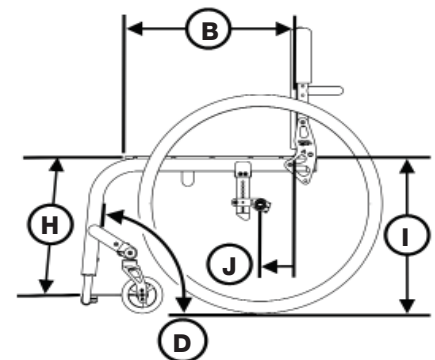


Diagram 4



Cushions

General Use Cushions

STEP 1: Choose Cushion

2" General Use Foam Cushion (10"x10" to 16"x16") _____ \$99

STEP 2: Choose Cushion Size

Match to Chair Size

Other Size _____

Matrix Seat Cushions

Cushion size is determined by chair dimensions. Certain sizes will have higher price and longer lead time; visit www.motionconcepts.com/matrix_international.html for size specifications.

STEP 1: Choose Cushion

Kidabra Cushion _____ \$425
Weight capacity is 150 lbs

STEP 2: Choose Cushion Size

Match to Chair Size

Other Size - Provide Part Number _____

ROHO Seat Cushions

Cushion size is determined by chair dimensions. Certain sizes will have higher price and longer lead time; visit therohogroup.com for size specifications.

STEP 1: Choose Cushion

Standard Cushions

- HIGH PROFILE® Single Compartment (E2622) _____ \$603
- MID PROFILE™ Single Compartment (E2622) _____ \$603
- LOW PROFILE® Single Compartment (E2622) _____ \$603
- QUADTRO SELECT® High Profile® (E2624) _____ \$603
- QUADTRO SELECT® Mid Profile® (E2624) _____ \$603
- QUADTRO SELECT® Low Profile® (E2624) _____ \$603
- HYBRID ELITE® Single Comp Smart Check Ready (E2622) _____ \$623
- HYBRID ELITE® Dual Compartment (E2622) _____ \$623
- CONTOUR SELECT® (E2624) _____ \$603
- Nexus SPIRIT® (E2622) _____ \$577

Cushions with Heavy Duty Cover

- HIGH PROFILE® Single Compartment w/ HD Cover (E2622) _____ \$629
- QUADTRO SELECT® High Profile® w/ HD Cover (E2624) _____ \$629

STEP 2: Choose Cushion Size

Match to Chair Size

Other Size - Provide Part Number _____

Backs

Matrix Backs

- Mini Back _____ \$625
Not available with 16" Seat Width. Back Height of 14" not available with 10" and 11" Seat Widths. Comes standard with Kidabra cover.
- Back Height:**
 7" 10" 12" 14"

Therafin Headrest for MATRX Back Systems

- Headrest, Multi-Axis Offset Hardware with Smooth/Soft Pad (E1028, E0955) 34187 _____ \$420
- PAD SIZE: 5 x 8 5 x 10 5 x 14

Other Matrix Mounting Hardware

Must provide part number

- _____
For mounting hardware other than quick release

ROHO Back Systems (Minimum chair width is 14")

Fixed Hardware included

- | | |
|---|---|
| <p><input type="checkbox"/> AGILITY™ Min. Contour w/ Foam Only (E2611) _____ \$549
 BACKREST HEIGHT: <input type="checkbox"/> 10" <input type="checkbox"/> 13" <input type="checkbox"/> 16"</p> <p><input type="checkbox"/> AGILITY™ Min. Contour w/ Foam & Lumbar Pad (E2613) _____ \$659
 BACKREST HEIGHT: <input type="checkbox"/> 10" <input type="checkbox"/> 13" <input type="checkbox"/> 16"</p> <p><input type="checkbox"/> AGILITY™ Min. Contour w/ Air Only (E2620) _____ \$769
 BACKREST HEIGHT: <input type="checkbox"/> 10" <input type="checkbox"/> 13" <input type="checkbox"/> 16"</p> <p><input type="checkbox"/> AGILITY™ Min. Contour w/ Air & Lumbar Pad (E2615) _____ \$769
 BACKREST HEIGHT: <input type="checkbox"/> 10" <input type="checkbox"/> 13" <input type="checkbox"/> 16"</p> | <p><input type="checkbox"/> AGILITY™ Mid Contour w/ Air Only (E2620) _____ \$781
 BACKREST HEIGHT: <input type="checkbox"/> 10" <input type="checkbox"/> 13" <input type="checkbox"/> 16"</p> <p><input type="checkbox"/> AGILITY™ Mid Contour w/ Air & Lumbar Pad (E2615) _____ \$781
 BACKREST HEIGHT: <input type="checkbox"/> 10" <input type="checkbox"/> 13" <input type="checkbox"/> 16"</p> <p><input type="checkbox"/> AGILITY™ Max Contour w/ Air Only (E2620) _____ \$920
 BACKREST HEIGHT: <input type="checkbox"/> 16"</p> <p><input type="checkbox"/> AGILITY™ Max Contour w/ Air & Lumbar Pad (E2615) _____ \$920
 BACKREST HEIGHT: <input type="checkbox"/> 16"</p> |
|---|---|

ROHO Laterals for AGILITY™ Back Systems

Sold in pairs

- Swing Away with Curved Pad (E1028/E0956) _____ \$1014
- PAD SIZE: Medium Large X-Large
 4 T x 4 L 4 T x 5 L 5 T x 5 L
- OFFSET TYPE: Flush Offset 1" Offset 2" Offset
- Fixed with Flat Pad (E0956) _____ \$452
- PAD SIZE: Medium Large X-Large
 4 T x 4 L 4 T x 5 L 5 T x 5 L
- OFFSET TYPE: Flush Offset

Therafin Headrest for AGILITY™ Back Systems

- Headrest, Multi-Axis Offset Hardware with Smooth/Soft Pad (E1028, E0955) 34187 _____ \$420
- PAD SIZE: 5 x 8 5 x 10 5 x 14



Vest

Not compatible with Back Upholstery

- Full Shape, Comfort Strap (E0960) _____ \$167
 - Small 30589 Medium 30590 Large 30591
 - X-Large 30592 2X-Large 30593
- Full Shape, Extended Strap (E0960) _____ \$167
 - Small 30594 Medium 30595 Large 30596
 - X-Large 30597 2X-Large 30598
- Trim Shape, Comfort Strap (E0960) _____ \$169
 - Small 30618 Medium 30619 Large 30620
 - X-Large 30621 2X-Large 30622
- Trim Shape, Extended Strap (E0960) _____ \$169
 - Small 30604 Medium 30624 Large 30625
 - X-Large 30626 2X-Large 30627

Shoulder Harness

With metal clips and cam locks. Not compatible with Back Upholstery.

- Small (E0960) 61403 _____ \$157
- Medium (E0960) 61503 _____ \$164
- Large (E0960) 61703 _____ \$170
- X-Large (E0960) 61803 _____ \$177

Hip Belt

- 4 Point Y-Style, Metal Buckle (E0978) _____ \$173
 - Small 60024 Medium 60025 Large 60026
- Dual Rear Pull, Metal Attaching Clips (E0978)
 - 1" Straps, 6.25"W x 1.75"H Pads 60161 _____ \$97
 - 1.5" Straps, 7.25"W x 2.25"H Pads 60171 _____ \$106
 - 1.5" Straps, 9.25"W x 2.5"H Pads 60181 _____ \$106
- Single Pull, Metal Buckle (E0978)
 - 1" Straps, 4.25"W x 1.75"H Pads 61001 _____ \$86
 - 1" Straps, 6.25"W x 1.75"H Pads 61201 _____ \$86
 - 1.5" Straps, 5.25"W x 2.25"H Pads 62001 _____ \$95
 - 1.5" Straps, 9.25"W x 2.5"H Pads 62201 _____ \$95
 - 2" Straps, 9.25"W x 3"H Pads 64001 _____ \$102
 - 2" Straps, 11.25"W x 3"H Pads 64101 _____ \$102

Cane Mounted Swing Away Lateral Thoracic Support

Sold as pair. Not compatible with Back Upholstery.

- Swing Away Kits w/ 4"x6" Gel Pads (E0956, E1028) 50021 _____ \$478
- Swing Away Kits, No Pads (E0956, E1028) 50022 _____ \$309

Knee Adductor

- Flip Down Hardware (E1028) _____ \$734
Sold in pairs, one right side and one left side
 - Short Arm, Fits 1-3/8" Tubing 32974
 - Long Arm, Fits 1-3/8" Tubing 32973
- Knee Adductor Pad with Neoprene Cover (E0956) _____ \$117
Sold single
 - Small Pad, 4.25" x 3.25" 50490 Quantity: _____
 - Medium Pad, 6.25" x 4.25" 50491 Quantity: _____

Foot / Shoe Holder

Compatible only with Angle Adjustable Footplates

- FootSure Ankle Support (K0108) _____ \$178
Sold in pairs
 - X-Small w/ Buckle Closure, 6"-8" Circum. 60250
 - Small w/ Buckle Closure, 7"-8.5" Circum. 60251
 - Medium w/ Buckle Closure, 8"-11" Circum. 60252
 - Large w/ Buckle Closure, 9"-12" Circum. 60253
 - X-Large w/ Buckle Closure, 12.5"-15" Circum. 60254
 - X-Small w/ Hook-N-Loop Closure, 5"-6" Circum. 60255
 - Small w/ Hook-N-Loop Closure, 6"-8" Circum. 60256
 - Med w/ Hook-N-Loop Closure, 8"-10.5" Circum. 60257
 - Large w/ Hook-N-Loop Closure, 9"-12" Circum. 60258
 - X-Lrg w/ Hook-N-Loop Closure, 12"-15" Circum. 60259
- Padded Footbox (K0108)
 - Small, Full Design, Fits 14" Chair 30111 _____ \$287
 - Medium, Full Design, Fits 16" Chair 30112 _____ \$293
 - Large, Full Design, Fits 18" Chair 30113 _____ \$298
 - Small, Split Design, Fits 14" Chair 30152 _____ \$367
 - Medium, Split Design, Fits 16" Chair 30153 _____ \$373
 - Large, Split Design, Fits 18" Chair 30154 _____ \$378
- Molded Shoe Holders (K0108) _____ \$162
Sold in pairs
 - Small with Plain Straps, 3.5" x 5.25" 30293
 - Medium with Plain Straps, 4" x 6.5" 30303
 - Large with Plain Straps, 4.75" x 8" 30309
 - X-Large with Plain Straps, 5" x 10" 30316



Half Tray

Not compatible with Swing Away or Tubular Flip Up Armrests

- Standard Shape, Clear, Flip-Away (E0950, E1028) _____ \$246
 - Right Side 41310 Left Side 41311
- Standard Shape, Padded, Flip-Away (E0950, E1028) _____ \$269
 - Right Side 41350 Left Side 41353
- Trimline Shape, Padded, Flip-Away (E0950, E1028) _____ \$269
 - Right Side 41352 Left Side 41351

Clear Tray with Border and Pre-Drilled Holes

STEP 1: Choose Tray

Chair Width	Tray Dimension (W x D)	Body Cutout (W x D)	HCPCS	Part Number	Price	
10"	17 x 15	7.5 x 4.5, H2.75	E0950	33203	\$209	<input type="checkbox"/>
11"	17 x 15	7.5 x 4.5	E0950	33204	\$209	<input type="checkbox"/>
	17 x 15	8 x 5	E0950	33205	\$220	<input type="checkbox"/>
12"	18 x 16	8.5 x 5	E0950	33206	\$220	<input type="checkbox"/>
	18 x 16	9.5 x 5.5	E0950	33207	\$220	<input type="checkbox"/>
13"	19 x 18	9.5 x 5.5	E0950	33208	\$220	<input type="checkbox"/>
	19 x 18	10.5 x 6	E0950	33209	\$220	<input type="checkbox"/>
14"	20 x 18	10.5 x 6	E0950	33210	\$220	<input type="checkbox"/>
	20 x 18	11.5 x 6.5	E0950	33211	\$220	<input type="checkbox"/>
15"	21 x 18	11.5 x 6.5	E0950	33212	\$220	<input type="checkbox"/>
	21 x 18	12.5 x 7	E0950	33213	\$220	<input type="checkbox"/>
16"	22 x 21	12.5 x 7.5	E0950	33214	\$255	<input type="checkbox"/>
	22 x 21	13.5 x 8.5	E0950	33215	\$255	<input type="checkbox"/>

STEP 2: Choose Tray Hardware

- E-Z Lock Clamps, Tube Arm (E1028) 31072 _____ \$150
Available only with Swing Away, Tubular Flip Up or Angle Adjustable Locking Extendable Flip Up with Foam Grip Armrests. Sold in Pairs.
- E-Z Lock Clamps, Standard (E1028) 31098 _____ \$142
Not available with Swing Away, Tubular Flip Up or Angle Adjustable Locking Extendable Flip Up with Foam Grip Armrests. Sold in Pairs.

Communication Mount Hardware

Choose Device Holder AND Mount

STEP 1: What DEVICE will be used?

- Smart Phone 32359 _____ \$150
- Large Smart Phone 32354 _____ \$150
- I-Pad 32355 _____ \$184
- I-Pad Mini 32356 _____ \$178
- 7" Tablet 32357 _____ \$173
- 10" Tablet 32358 _____ \$395

STEP 2: Where does it need to MOUNT?

- 1-3/8" Frame 32366 _____ \$512
- Armrest 32351 _____ \$395
Not compatible with Swing Away or Tubular Flip Up Armrests
- Tray 32352 _____ \$212