



Phone (800) 981-1540 | Fax (715) 254-0996
 sales@kimobility.com | www.kimobility.com

Effective 05/23/2017

Company: _____

Ship To: _____

Account Number: _____ Date: _____

Address: _____

Quote PO Number: _____

City: _____ State: _____

RTS: _____

Zip: _____ Phone: _____

Marked For: _____

Email/Fax: _____

Tsunami ALX K0005 **\$1995**
 250 lb weight capacity

HCPCS codes provided are based on code verification by the PDAC or our interpretation of the code definitions.

Proper use of HCPCS codes does not ensure coverage or payment. For coverage information, verify the appropriate payer's coverage policy.

Frame

Seat Width / Seat Depth

Select box corresponding to desired Seat Width and Depth. See references A and B on page 6.

		Seat Width									
		14"	15"	16"	17"	18"	19"	20"	21"	22"	
		Price HCPCS	N/C	N/C	N/C	N/C	N/C	\$125	\$425 E2201	\$450 E2201	\$450 E2201
Seat Depth	14"	N/C	<input type="checkbox"/>	<input type="checkbox"/>	<input type="checkbox"/>	<input type="checkbox"/>	<input type="checkbox"/>	<input type="checkbox"/>	<input type="checkbox"/>	<input type="checkbox"/>	<input type="checkbox"/>
	15"	N/C	<input type="checkbox"/>	<input type="checkbox"/>	<input type="checkbox"/>	<input type="checkbox"/>	<input type="checkbox"/>	<input type="checkbox"/>	<input type="checkbox"/>	<input type="checkbox"/>	<input type="checkbox"/>
	16"	N/C	<input type="checkbox"/>	<input type="checkbox"/>	<input type="checkbox"/>	<input type="checkbox"/>	<input type="checkbox"/>	<input type="checkbox"/>	<input type="checkbox"/>	<input type="checkbox"/>	<input type="checkbox"/>
	17"	N/C	<input type="checkbox"/>	<input type="checkbox"/>	<input type="checkbox"/>	<input type="checkbox"/>	<input type="checkbox"/>	<input type="checkbox"/>	<input type="checkbox"/>	<input type="checkbox"/>	<input type="checkbox"/>
	18"	N/C	<input type="checkbox"/>	<input type="checkbox"/>	<input type="checkbox"/>	<input type="checkbox"/>	<input type="checkbox"/>	<input type="checkbox"/>	<input type="checkbox"/>	<input type="checkbox"/>	<input type="checkbox"/>
	19"	\$75	<input type="checkbox"/>	<input type="checkbox"/>	<input type="checkbox"/>	<input type="checkbox"/>	<input type="checkbox"/>	<input type="checkbox"/>	<input type="checkbox"/>	<input type="checkbox"/>	<input type="checkbox"/>
	20"	\$475 E2203	<input type="checkbox"/>	<input type="checkbox"/>	<input type="checkbox"/>	<input type="checkbox"/>	<input type="checkbox"/>	<input type="checkbox"/>	<input type="checkbox"/>	<input type="checkbox"/>	<input type="checkbox"/>

Sling Position

In Performance Position (0"), sling is at front of frame. The 1" or 2" sling position extends the frame in front of the sling by that amount. See reference C on page 6.

- 0" (Performance) _____ N/C
- 1" _____ N/C
- 2" (Classic) _____ N/C

Adjustable Depth

Adds the capability to grow seat in depth

- No Rear Adjustment _____ N/C
- 1/2" _____ N/C
- 1" _____ \$85
- 2" _____ \$85
- 3" _____ \$85

Long Sling

Available only with 1", 2" and 3" Adjustable Depth

- Long Sling _____ N/C
Sling will be maximum 2" longer than seat depth

Front Frame Bend

Angle between front seat tube and ground. See reference D on page 6.

- 90° _____ \$75
- 85° _____ N/C
- 80° _____ N/C
- 75° _____ N/C
- 70° _____ N/C

Heavy Duty Option

Requires 6" casters

- 350 lb Weight Capacity _____ \$750

Transit Option

125 lb maximum weight capacity

- Transit System K0108 _____ \$320

Backrest

Back Post / Height Range / Back Height

Select Back Height in row corresponding to desired Back Post and Height Range

Back Post	Price	Height Range	Back Height				
Height Adjustable	N/C	Short	<input type="checkbox"/> 11 ²	<input type="checkbox"/> 12 ³	<input type="checkbox"/> 13	<input type="checkbox"/> 14	
		Medium	<input type="checkbox"/> 13	<input type="checkbox"/> 14	<input type="checkbox"/> 15	<input type="checkbox"/> 16	<input type="checkbox"/> 17
		Tall	<input type="checkbox"/> 17	<input type="checkbox"/> 18	<input type="checkbox"/> 19	<input type="checkbox"/> 20	
Fixed Height ¹	\$85		<input type="checkbox"/> 9 ²	<input type="checkbox"/> 10 ²	<input type="checkbox"/> 11 ²	<input type="checkbox"/> 12 ³	<input type="checkbox"/> 13
			<input type="checkbox"/> 14	<input type="checkbox"/> 15	<input type="checkbox"/> 16	<input type="checkbox"/> 17	<input type="checkbox"/> 18

Push Handle

- Omit Push Handle _____ N/C
- Standard Push Handle _____ \$85
- Low Profile Push Handle _____ \$135
2" shorter than standard push handles
- Bolt-On Push Handle _____ \$125
Handles will be 1" - 2" above back height
- Fold Down Push Handle _____ \$100
Not available with Heavy Duty option

¹ Not available with back upholstery
² Not available with Fold Down Push Handle
³ Fold Down Push Handle requires Height Adjustable Rigidizer Bar
 DCN0023.23 Pricing and specifications subject to change without notice

Backrest continued

Rigidizer Bar

Adjustable Height Rigidizer Bar _____ \$75

Seat Back Angle

Standard is 90° (perpendicular to floor). Minus (-°) closes back angle. Plus (+°) opens back angle.

- Standard +3° +6° +9°
- 3° -6° -9° -12°

Back Upholstery

Available only with Height Adjustable Back Posts

- Padded Velcro Adjustable _____ Std
Not available with Heavy Duty Option
- Tension Adjustable E2611 _____ \$285
- Omit Back Upholstery _____ -\$10

Front Seat Height and Casters

Caster Size / Footrest Taper / Front Seat Height

Select Front Seat Height in row corresponding to Footrest Taper and Caster Size. 6" casters not available with 85° and 90° Front Frame Bend. Footrest Taper indicates bend of front frame creating footrest width. Taper is measured from outside of seat frame to outside of front tube. 2" Taper not available with 70° or 75° Front Frame Bend. See reference E on page 6.

Front Seat Height is measured from floor to top of seat tube at front of seat sling. Adjustable up or down by 1/2". See reference F on page 6.

Footrest Taper	Caster Size	Front Seat Height														
		<input type="checkbox"/> 13.5	<input type="checkbox"/> 14	<input type="checkbox"/> 14.5	<input type="checkbox"/> 15	<input type="checkbox"/> 15.5	<input type="checkbox"/> 16	<input type="checkbox"/> 16.5	<input type="checkbox"/> 17	<input type="checkbox"/> 17.5	<input type="checkbox"/> 18	<input type="checkbox"/> 18.5	<input type="checkbox"/> 19	<input type="checkbox"/> 19.5	<input type="checkbox"/> 20	<input type="checkbox"/> 20.5
Straight	3"	<input type="checkbox"/> 13.5	<input type="checkbox"/> 14	<input type="checkbox"/> 14.5	<input type="checkbox"/> 15	<input type="checkbox"/> 15.5	<input type="checkbox"/> 16	<input type="checkbox"/> 16.5	<input type="checkbox"/> 17	<input type="checkbox"/> 17.5	<input type="checkbox"/> 18	<input type="checkbox"/> 18.5	<input type="checkbox"/> 19	<input type="checkbox"/> 19.5	<input type="checkbox"/> 20	<input type="checkbox"/> 20.5
	4"	<input type="checkbox"/> 14	<input type="checkbox"/> 14.5	<input type="checkbox"/> 15	<input type="checkbox"/> 15.5	<input type="checkbox"/> 16	<input type="checkbox"/> 16.5	<input type="checkbox"/> 17	<input type="checkbox"/> 17.5	<input type="checkbox"/> 18	<input type="checkbox"/> 18.5	<input type="checkbox"/> 19	<input type="checkbox"/> 19.5	<input type="checkbox"/> 20	<input type="checkbox"/> 20.5	
	5"	<input type="checkbox"/> 14.5	<input type="checkbox"/> 15	<input type="checkbox"/> 15.5	<input type="checkbox"/> 16	<input type="checkbox"/> 16.5	<input type="checkbox"/> 17	<input type="checkbox"/> 17.5	<input type="checkbox"/> 18	<input type="checkbox"/> 18.5	<input type="checkbox"/> 19	<input type="checkbox"/> 19.5	<input type="checkbox"/> 20	<input type="checkbox"/> 20.5		
	6"	<input type="checkbox"/> 15	<input type="checkbox"/> 15.5	<input type="checkbox"/> 16	<input type="checkbox"/> 16.5	<input type="checkbox"/> 17	<input type="checkbox"/> 17.5	<input type="checkbox"/> 18	<input type="checkbox"/> 18.5	<input type="checkbox"/> 19	<input type="checkbox"/> 19.5	<input type="checkbox"/> 20	<input type="checkbox"/> 20.5			
1" Taper	3"	<input type="checkbox"/> 16.5	<input type="checkbox"/> 17	<input type="checkbox"/> 17.5	<input type="checkbox"/> 18	<input type="checkbox"/> 18.5	<input type="checkbox"/> 19	<input type="checkbox"/> 19.5	<input type="checkbox"/> 20	<input type="checkbox"/> 20.5						
	4"	<input type="checkbox"/> 17	<input type="checkbox"/> 17.5	<input type="checkbox"/> 18	<input type="checkbox"/> 18.5	<input type="checkbox"/> 19	<input type="checkbox"/> 19.5	<input type="checkbox"/> 20	<input type="checkbox"/> 20.5							
	5"	<input type="checkbox"/> 17.5	<input type="checkbox"/> 18	<input type="checkbox"/> 18.5	<input type="checkbox"/> 19	<input type="checkbox"/> 19.5	<input type="checkbox"/> 20	<input type="checkbox"/> 20.5								
	6"	<input type="checkbox"/> 18	<input type="checkbox"/> 18.5	<input type="checkbox"/> 19	<input type="checkbox"/> 19.5	<input type="checkbox"/> 20	<input type="checkbox"/> 20.5									
2" Taper	3"	<input type="checkbox"/> 16.5	<input type="checkbox"/> 17	<input type="checkbox"/> 17.5	<input type="checkbox"/> 18	<input type="checkbox"/> 18.5	<input type="checkbox"/> 19	<input type="checkbox"/> 19.5	<input type="checkbox"/> 20	<input type="checkbox"/> 20.5						
	4"	<input type="checkbox"/> 17	<input type="checkbox"/> 17.5	<input type="checkbox"/> 18	<input type="checkbox"/> 18.5	<input type="checkbox"/> 19	<input type="checkbox"/> 19.5	<input type="checkbox"/> 20	<input type="checkbox"/> 20.5							
	5"	<input type="checkbox"/> 17.5	<input type="checkbox"/> 18	<input type="checkbox"/> 18.5	<input type="checkbox"/> 19	<input type="checkbox"/> 19.5	<input type="checkbox"/> 20	<input type="checkbox"/> 20.5								
	6"	<input type="checkbox"/> 18	<input type="checkbox"/> 18.5	<input type="checkbox"/> 19	<input type="checkbox"/> 19.5	<input type="checkbox"/> 20	<input type="checkbox"/> 20.5									

Caster Type

- .75" Rollerblade _____ N/C
Not available with 5" and 6" Caster Sizes
- .75" Lighted Rollerblade _____ \$70
Not available with 5" and 6" Caster Sizes
- 1" Poly _____ N/C
Not available with 3" Caster Size
- 1" Poly Aluminum _____ \$110
Not available with 3" and 6" Caster Sizes
- 1" Pneumatic _____ \$80
Not available with 3", 4" and 5" Caster Sizes
- 1.5" Poly _____ \$50
Not available with 3" Caster Size
- 1.5" Soft Roll Aluminum _____ \$175

Fork Options

- Standard Fork _____ Std
 - Slotted Fork _____ \$75
 - Single Sided Fork _____ \$160
Not available with 6" Casters or Caster Pin Locks
 - Frog Legs Ultra-Sport Fork - Black E1015 _____ \$425
Not available with Caster Pin Locks or Heavy Duty Option
- End User Weight Required: _____ lbs**
- Frog Legs PHASE2 Carbon Fork **New!** _____ \$425
Lightweight shock absorbing fork. Not available with Caster Pin Locks or Heavy Duty Option.
 - Caster Pin Locks K0073 _____ \$185
Available only with Slotted Fork

Footrest

Footplate

- Tubular "Open" Footplate _____ Std
*Not available with footrest widths greater than 17.5".
See Reference G on page 6.*
- Tubular Footplate with ABS Cover _____ \$30
*Not available with footrest widths greater than 15.5".
See Reference G on page 6.*
- Aluminum Angle Adjustable K0040 _____ \$95
- Aluminum Angle Adjustable with Riser K0040, K0037 _____ \$145
- High Mount Aluminum Angle Adjustable K0040, K0037 _____ \$95
- Angle Adjustable Flip Under K0040, K0037 _____ \$185
- High Mount Angle Adjustable Flip Under K0040, K0037 _____ \$270
*Not available with footrest widths greater than 15.5".
See Reference G on page 6.*

Seat to Footrest Length

Measured from front edge of seat sling to top, rear of footrest. Footrest length at least 2.5" shorter than Front Seat Height recommended. See reference H on page 6.

<input type="checkbox"/> 8"	<input type="checkbox"/> 8.5"	<input type="checkbox"/> 9"	<input type="checkbox"/> 9.5"	<input type="checkbox"/> 10"	<input type="checkbox"/> 10.5"
<input type="checkbox"/> 11"	<input type="checkbox"/> 11.5"	<input type="checkbox"/> 12"	<input type="checkbox"/> 12.5"	<input type="checkbox"/> 13"	<input type="checkbox"/> 13.5"
<input type="checkbox"/> 14"	<input type="checkbox"/> 14.5"	<input type="checkbox"/> 15"	<input type="checkbox"/> 15.5"	<input type="checkbox"/> 16"	<input type="checkbox"/> 16.5"
<input type="checkbox"/> 17"	<input type="checkbox"/> 17.5"	<input type="checkbox"/> 18"	<input type="checkbox"/> 18.5"	<input type="checkbox"/> 19"	<input type="checkbox"/> 19.5"

Footrest Protector

- Footrest Protector _____ \$25
Not available with Angle Adjustable Flip Under, High Mount Angle Adjustable Flip Under or High Mount Aluminum Angle Adjustable Footplates

Rear Seat Height and Wheels

Wheel Size / Rear Seat Height

Select Rear Seat Height in row corresponding to desired Wheel Size. For proper setup, selection is required when omitting rear wheels. Measured from floor to top of seat tube at front of back post. Rear Seat Height is custom to needs. See reference I on page 6.

Wheel Size	Rear Seat Height													
22"	<input type="checkbox"/> 13.5 ¹	<input type="checkbox"/> 14	<input type="checkbox"/> 14.5	<input type="checkbox"/> 15	<input type="checkbox"/> 15.5	<input type="checkbox"/> 16	<input type="checkbox"/> 16.5	<input type="checkbox"/> 17	<input type="checkbox"/> 17.5	<input type="checkbox"/> 18	<input type="checkbox"/> 18.5	<input type="checkbox"/> 19	<input type="checkbox"/> 19.5	<input type="checkbox"/> 20
24"	<input type="checkbox"/> 14.5 ¹	<input type="checkbox"/> 15	<input type="checkbox"/> 15.5	<input type="checkbox"/> 16	<input type="checkbox"/> 16.5	<input type="checkbox"/> 17	<input type="checkbox"/> 17.5	<input type="checkbox"/> 18	<input type="checkbox"/> 18.5	<input type="checkbox"/> 19	<input type="checkbox"/> 19.5	<input type="checkbox"/> 20		
25"	<input type="checkbox"/> 15 ¹	<input type="checkbox"/> 15.5	<input type="checkbox"/> 16	<input type="checkbox"/> 16.5	<input type="checkbox"/> 17	<input type="checkbox"/> 17.5	<input type="checkbox"/> 18	<input type="checkbox"/> 18.5	<input type="checkbox"/> 19	<input type="checkbox"/> 19.5	<input type="checkbox"/> 20			
26"	<input type="checkbox"/> 15.5 ¹	<input type="checkbox"/> 16	<input type="checkbox"/> 16.5	<input type="checkbox"/> 17	<input type="checkbox"/> 17.5	<input type="checkbox"/> 18	<input type="checkbox"/> 18.5	<input type="checkbox"/> 19	<input type="checkbox"/> 19.5	<input type="checkbox"/> 20				

¹ Available only with Low Profile Rear Tire Type

Camber Bar Tower

- Standard Tower _____ N/C
- Mx Tower _____ \$100

Standard Tower allows rear seat height adjustment up or down in 1/4" increments. 1" adjustment available; 1/2" in lowest end of range. **Mx Tower** useful with low seat heights or when large rear seat height adjustment range is required. 3" adjustment range in 1/4" increments.

Rear Wheel Type

- 24" Spoke _____ N/C
 - Spoke (22", 25", 26") _____ \$125
 - Mag _____ N/C
Not available in 25" or 26" rear wheels
 - Spinergy Spox _____ \$795
Not available in 20" rear wheel
- Color: Black Red White Blue Yellow
- Handrim: Short Tab Long Tab
Available only with Aluminum Anodized and Plastic Coated Handrims

Rear Tire Type

Full Profile

- Street Pneumatic 1 3/8" E2211, E2212 _____ Std
Not available on 25" rear wheel
- Full Poly 1 3/8" E2218 _____ \$55
Not available on 25" rear wheel
- Pneumatic with Airless Insert 1 3/8" E2211, E2213 _____ \$80
Not available on 25" rear wheel
- Schwalbe HS-127 1 3/8" E2211, E2212 **New!** _____ \$125
Available only on 24" rear wheel. Not available on Mag wheels.
- Euro Trek Knobby 1 3/8" E2211, E2212 _____ \$95
Available only on 24" rear wheel
- Mountain 2" Black E2211, E2212 _____ \$125
Available only on 22", 24" and 25" Spoke and Spinergy wheels

Low Profile

- Low Poly 1" E2218 _____ N/C
Not available on 25" or 26" rear wheels
- Sentinel Solid Tire 1" E2218 _____ \$95
- High Pressure 1" E2211, E2212 _____ \$80
Not available on Mag wheels
- Schwalbe Marathon Plus Evolution 1" E2211, E2212 _____ \$125
Not available on Mag or 22" rear wheel

Rear Seat Height and Wheels continued

Handrim

Standard Handrims

- Aluminum Anodized _____ Std
- Plastic Coated _____ \$95
- Projection (8 Vertical Projections) _____ \$295
Available on 22", 24", 25" and 26" Spoke wheels & 24" Mag wheels w/full tires
- Omit Handrim _____ N/C

Natural Fit Handrims

Not available on 20" rear wheel or 22" Mag wheels. Not recommended with Mag wheels.

- Natural Fit LT Regular Grip _____ \$445
- Natural Fit Standard Regular Grip _____ \$445
- Natural Fit LT Super Grip _____ \$495
- Natural Fit Standard Super Grip _____ \$495
- Natural Fit LT Omit Grip _____ \$345
- Natural Fit Standard Omit Grip _____ \$345

Handrim Option

- 3M Micro Grip _____ \$65
Not available on Plastic Coated or Projection Handrims

Axle

- Quick Release _____ Std
- Quad Quick Release _____ \$185
Not available with Mag wheels

Wheel Locks

Wheel Lock

- Push to Lock _____ Std
- Push to Lock Flush Mount _____ N/C
- Pull to Lock _____ N/C
- Under Seat Scissor Lock _____ N/C
- Low Profile Scissor Lock _____ \$45
Not available with Low Poly Tire
- Short Thro Scissor Lock _____ \$110
- Omit Wheel Locks _____ N/C

Armrests

Armrest Please select Arm Pad option

- Height Adjustable T-Arm (8.5" - 13.5") E0973 _____ \$325
1.5" minimum Rear Wheel Spacing
- Height Adjustable T-Arm Low (7.5" - 11.5") E0973 _____ \$325
1.5" minimum Rear Wheel Spacing

Arm Pad

Not available with Swing Away Armrests

- Desk Full

Center of Gravity Preset

Measured from front of back post to center of rear axle. 0" indicates axle will be directly under back post. See reference J on page 6.

Amputee Positions

<input type="checkbox"/> -1.5"	<input type="checkbox"/> -1.25"	<input type="checkbox"/> -1"	<input type="checkbox"/> -.75"
<input type="checkbox"/> -.5"	<input type="checkbox"/> -.25"	<input type="checkbox"/> 0"	<input type="checkbox"/> .25"

Standard Positions

<input type="checkbox"/> .5"	<input type="checkbox"/> .75"	<input type="checkbox"/> 1"	<input type="checkbox"/> 1.25"
<input type="checkbox"/> 1.5"	<input type="checkbox"/> 1.75"	<input type="checkbox"/> 2"	<input type="checkbox"/> 2.25"
<input type="checkbox"/> 2.5"	<input type="checkbox"/> 2.75"	<input type="checkbox"/> 3"	<input type="checkbox"/> 3.25"
<input type="checkbox"/> 3.5"	<input type="checkbox"/> 3.75"	<input type="checkbox"/> 4"	<input type="checkbox"/> 4.25"

Rear Wheel Spacing

Measured from outside of back to inside of rear tire. Adjustable out 1/2" from setting. 1.5" minimum Rear Wheel Spacing with Height Adjustable T-Arm Armrest. 1" minimum Rear Wheel Spacing with 0° Rear Wheel Camber. See reference K on page 6.

- .75" 1" 1.25" 1.5" 1.75"

Rear Wheel Camber

- 0° 2° 4° 6° 8°

Wheel Lock Options

- Extension Handles E0961 _____ \$67
Available only with Push to Lock or Pull to Lock Wheel Locks
- Grade Aids E0974 _____ \$150
Available only with Push to Lock Wheel Locks and Pneumatic or Pneumatic with Airless Insert Rear Tire Types

Armrest continued

- Swing Away (8.5" - 12.5") E0973 _____ \$175
Not available with Arm Pads
- Swing Away with Side Guard (8.5" - 12.5") E0973 _____ \$285
Includes direct mount receiver. Not available with Arm Pads.
- Omit Armrests _____ N/C

Side Guards

Removable Side Guards

Not available with T-Arm Armrests

- Composite Side Guards - Direct Mount Receiver K0108 ___ \$125
- Composite Side Guards - Clamp-on Receiver K0108 ___ \$155
- Fender Side Guards K0108 ___ \$280
Includes clamp-on receiver

Fabric Side Guard

Not available with T-Arm Armrests or when omitting Back Upholstery

- Fabric Side Guards K0108 ___ \$85

Accessories

Anti-Tip

- Rear Anti-Tips E0971 ___ \$140

Calf Strap

- Velcro Adjustable K0038 ___ N/C
- Padded Velcro Adjustable K0038 ___ \$68
- Bodypoint Padded AeroMesh K0038 ___ \$102

Positioning Belt

- 1 1/2" Auto Buckle E0978 ___ \$70
- 1 1/2" Padded Auto Buckle E0978 ___ \$155
- 2" Airline Buckle E0978 ___ \$110
- Bodypoint Evoflex - Pelvic Stabilizer E0978 ___ \$183
 Size: Small (16-24") Medium (19-29") Large (25-37")

Belt Mounting Kit

- Ki Mobility Belt Mounting Clamp **New!** ___ \$35
- Bodypoint Belt Mounting Bracket Kit ___ \$105

Seat Pan

- Solid Seat Pan E2231 ___ \$245
Seat Pan is 1" longer when Long Sling option is selected

Other Accessories

- Tool Kit ___ \$45
- Removable Underseat Pouch ___ \$50
- Ki Mobility Backpack ___ \$65
- Luggage Carrier **New!** ___ \$85
- Black Neoprene Impact Guards ___ \$85
- Under Chair Carrier and Removable Bag ___ \$85
- Clear Spoke Guards K0065 ___ \$115
Not available with Mag wheels
- Black Spoke Guards K0065 ___ \$115
Not available with 20" rear wheel or Mag wheels
- Cane and Crutch Holder ___ \$195

Frame Color

Gloss Finish

- Black ___ N/C
- Blue Skies ___ N/C
- Bubblegum Pink ___ N/C
- Candy Blue ___ N/C
- Candy Purple ___ N/C
- Candy Red ___ N/C
- Copper ___ N/C
- Fuchsia ___ N/C
- Granny Smith ___ N/C
- Silver ___ N/C
- Yellow ___ N/C

Matte Finish

- Army Green ___ N/C
- Charcoal Gray ___ N/C
- Emerald Green ___ N/C
- Iridescent Burgundy ___ N/C
- Iridescent Navy ___ N/C
- Retro Red ___ N/C
- Royal Blue ___ N/C
- Shadow Black ___ N/C
- Smooth White ___ N/C

References

A. Seat Width See Diagram 1

Measured from outside of frame tube on one side to outside of frame tube on other side.

B. Seat Depth See Diagram 3

Measured from front of back posts to front edge of seat sling. Seat sling starts at beginning of bend at front of frame.

C. Sling Position See Diagram 2

In Performance Position (0°), sling is at front of frame to keep chair shorter and more maneuverable. The 1" or 2" seat sling position extends the frame in front of the sling by that amount. Adding more frame can improve stability and provide support to aid in transfers.

D. Front Frame Bend See Diagram 3

Angle between front seat tube and ground.

E. Footrest Taper See Diagram 1

Indicates bend of front frame creating footrest. Taper is measured from outside of seat frame to outside of front tube.

F. Front Seat Height See Diagram 1

Measured from floor to top of seat tube at front of seat sling.

G. Footrest Width See Diagram 1

Measured from inside of front tube to inside of front tube on other side. Footrest width is listed below for each seat width and taper.

Seat Width	Straight	1" Taper	2" Taper
Outside Measurement	2" Narrower than Seat Width	4" Narrower than Seat Width	6" Narrower than Seat Width
14"	11.5"	9.5"	
15"	12.5"	10.5"	
16"	13.5"	11.5"	9.5"
17"	14.5"	12.5"	10.5"
18"	15.5"	13.5"	11.5"
19"	16.5"	14.5"	12.5"
20"	17.5"	15.5"	13.5"
21"	18.5"	16.5"	14.5"
22"	19.5"	17.5"	15.5"

H. Seat to Footrest Length See Diagram 3

Measured from front edge of seat sling to top rear of footrest. Footrest length of at least 2.5" shorter than front seat height recommended.

I. Rear Seat Height See Diagram 3

Measured from floor to top of seat tube at front of back post. Rear seat height is custom to needs.

J. Center of Gravity Preset See Diagram 3

Measured from front of back post to center of rear axle. 0" indicates axle will be directly under back post.

K. Rear Wheel Spacing See Diagram 1

Measured from outside of seat back to inside of rear tire. Adjustable out .5" from setting.

Diagram 1

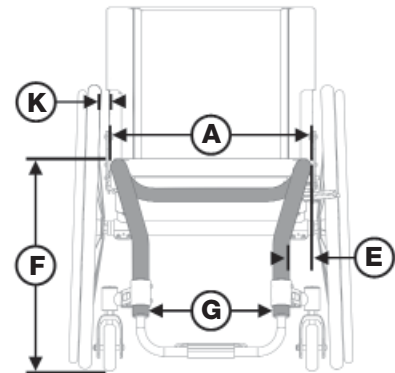


Diagram 2

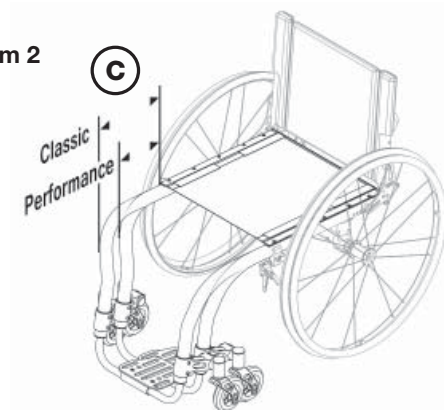
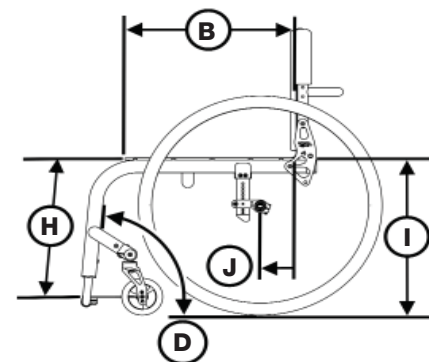


Diagram 3



Cushions

General Use Cushions

STEP 1: Choose Cushion

- 2" General Use Foam Cushion (14"x14" to 20"x20") E2601 _____ \$99
- 2" General Use Foam Cushion (Over 20"x20") E2601 _____ \$250

STEP 2: Choose Cushion Size

- Match to Chair Size
- Other Size _____

Matrix Seat Cushions

Cushion size is determined by chair dimensions. Certain sizes will have higher price and longer lead time; visit www.motionconcepts.com/matrix_international.html for size specifications.

STEP 1: Choose Cushion

- PS Cushion _____ \$414
Cushions 14" wide have a weight capacity of 150 lbs. Cushions 15" through 20" have a weight capacity of 300 lbs.
- Vi Cushion _____ \$510
Weight capacity of 300 lbs
- Libra Cushion _____ \$582
Weight capacity of 300 lbs

STEP 2: Choose Cushion Size

- Match to Chair Size
- Other Size - Provide Part Number _____

Other Matrix Products

Must provide part number

- _____

ROHO Seat Cushions

Cushion size is determined by chair dimensions. Certain sizes will have higher price and longer lead time; visit therohogroup.com for size specifications.

STEP 1: Choose Cushion

Standard Cushions

For chairs under 22" wide

- HIGH PROFILE® Single Compartment (E2622) _____ \$603
- MID PROFILE™ Single Compartment (E2622) _____ \$603
- LOW PROFILE® Single Compartment (E2622) _____ \$603
- QUADTRO SELECT® High Profile® (E2624) _____ \$603
- QUADTRO SELECT® Mid Profile® (E2624) _____ \$603
- QUADTRO SELECT® Low Profile® (E2624) _____ \$603
- HYBRID ELITE® Single Comp Smart Check Ready (E2622) _____ \$623
- HYBRID ELITE® Dual Compartment (E2622) _____ \$623
- CONTOUR SELECT® (E2624) _____ \$603

Cushions with Heavy Duty Cover

- HIGH PROFILE® Single Compartment w/ HD Cover (E2622) \$629
- QUADTRO SELECT® High Profile® w/ HD Cover (E2624) _____ \$629

STEP 2: Choose Cushion Size

- Match to Chair Size
- Other Size - Provide Part Number _____

Backs

Matrix Backs

- MX1 Back with Mono Mount Hardware
Not available with 19" through 22" Seat Widths. Requires Height Adjustable Rigidizer Bar.
Back Height:
 9" _____ \$930
 12" _____ \$966
 16" _____ \$1002
- MX1 Back with Fixed Dual Mount Hardware
Not available with 19" through 22" Seat Widths
Back Height:
 9" _____ \$990
 12" _____ \$1026
 16" _____ \$1062
- MX1 Back with Quick Release Dual Mount Hardware
Not available with 19" through 22" Seat Widths
Back Height:
 9" _____ \$1020
 12" _____ \$1056
 16" _____ \$1092
- Elite Back _____ \$750
Not available with 22" Seat Width. Back Height of 14" not available with 19", 20" and 21" Seat Widths.
Back Height:
 10" 12" 14" 16" 18" 20"

Therafin Headrest for MATRIX Back Systems

- Headrest, Multi-Axis Offset Hardware with Smooth/Soft Pad (E1028, E0955) 34187 _____ \$420
 PAD SIZE: 5 x 8 5 x 10 5 x 14

Other Matrix Mounting Hardware

- Must provide part number*
- _____
For mounting hardware other than quick release

Other Matrix Products

- Must provide part number*
- _____

ROHO Back Systems (Available for chairs up to 20" wide)

Fixed Hardware included

- AGILITY™ Min. Contour w/ Foam Only (E2611) _____ \$549
 BACKREST HEIGHT: 10" 13" 16"
- AGILITY™ Min. Contour w/ Foam & Lumbar Pad (E2613) _____ \$659
 BACKREST HEIGHT: 10" 13" 16"
- AGILITY™ Min. Contour w/ Air Only (E2620) _____ \$769
 BACKREST HEIGHT: 10" 13" 16"
- AGILITY™ Min. Contour w/ Air & Lumbar Pad (E2615) _____ \$769
 BACKREST HEIGHT: 10" 13" 16"
- AGILITY™ Mid Contour w/ Air Only (E2620) _____ \$781
 BACKREST HEIGHT: 10" 13" 16"
- AGILITY™ Mid Contour w/ Air & Lumbar Pad (E2615) _____ \$781
 BACKREST HEIGHT: 10" 13" 16"
- AGILITY™ Max Contour w/ Air Only (E2620) _____ \$920
 BACKREST HEIGHT: 16"
- AGILITY™ Max Contour w/ Air & Lumbar Pad (E2615) _____ \$920
 BACKREST HEIGHT: 16"

ROHO Laterals for AGILITY™ Back Systems

Sold in pairs

- Swing Away with Curved Pad (E1028/E0956) _____ \$1014
 PAD SIZE: Medium Large X-Large
 4 T x 4 L 4 T x 5 L 5 T x 5 L
 OFFSET TYPE: Flush Offset 1" Offset 2" Offset
- Fixed with Flat Pad (E0956) _____ \$452
 PAD SIZE: Medium Large X-Large
 4 T x 4 L 4 T x 5 L 5 T x 5 L
 OFFSET TYPE: Flush Offset

Therafin Headrest for AGILITY Back Systems

- Headrest, Multi-Axis Offset Hardware with Smooth/Soft Pad (E1028, E0955) 34187 _____ \$420
 PAD SIZE: 5 x 8 5 x 10 5 x 14



Vest

Not compatible with Back Upholstery

- Full Shape, Comfort Strap (E0960) _____ \$167
 - Small 30589 Medium 30590 Large 30591
 - X-Large 30592 2X-Large 30593
- Full Shape, Extended Strap (E0960) _____ \$167
 - Small 30594 Medium 30595 Large 30596
 - X-Large 30597 2X-Large 30598
- Trim Shape, Comfort Strap (E0960) _____ \$169
 - Small 30618 Medium 30619 Large 30620
 - X-Large 30621 2X-Large 30622
- Trim Shape, Extended Strap (E0960) _____ \$169
 - Small 30604 Medium 30624 Large 30625
 - X-Large 30626 2X-Large 30627

Shoulder Harness

With metal clips and cam locks. Not compatible with Back Upholstery.

- Small (E0960) 61403 _____ \$157
- Medium (E0960) 61503 _____ \$164
- Large (E0960) 61703 _____ \$170
- X-Large (E0960) 61803 _____ \$177

Hip Belt

- 4 Point Y-Style, Metal Buckle (E0978) _____ \$173
 - Small 60024 Medium 60025 Large 60026
- Dual Rear Pull, Metal Attaching Clips (E0978)
 - 1" Straps, 6.25"W x 1.75"H Pads 60161 _____ \$97
 - 1.5" Straps, 7.25"W x 2.25"H Pads 60171 _____ \$106
 - 1.5" Straps, 9.25"W x 2.5"H Pads 60181 _____ \$106
- Single Pull, Metal Buckle (E0978)
 - 1" Straps, 4.25"W x 1.75"H Pads 61001 _____ \$86
 - 1" Straps, 5.25"W x 1.75"H Pads 61101 _____ \$86
 - 1" Straps, 6.25"W x 1.75"H Pads 61201 _____ \$86
 - 1.5" Straps, 5.25"W x 2.25"H Pads 62001 _____ \$95
 - 1.5" Straps, 9.25"W x 2.5"H Pads 62201 _____ \$95
 - 2" Straps, 9.25"W x 3"H Pads 64001 _____ \$102
 - 2" Straps, 11.25"W x 3"H Pads 64101 _____ \$102

Cane Mounted Swing Away Lateral Thoracic Support

Sold as pair. Not compatible with Back Upholstery.

- Swing Away Kits w/ 4"x6" Gel Pads (E0956, E1028) 50021 _____ \$478
- Swing Away Kits, No Pads (E0956, E1028) 50022 _____ \$309

Knee Adductor

- Flip Down Hardware (E1028) _____ \$734
Sold in pairs, one right side and one left side
 - Short Arm, Fits 1-3/8" Tubing 32974
 - Long Arm, Fits 1-3/8" Tubing 32973
- Knee Adductor Pad with Neoprene Cover (E0956) _____ \$117
Sold single
 - Small Pad, 4.25" x 3.25" 50490 Quantity: _____
 - Medium Pad, 6.25" x 4.25" 50491 Quantity: _____

Foot / Shoe Holder

Compatible only with Angle Adjustable Footplates

- FootSure Ankle Support (K0108) _____ \$178
Sold in pairs
 - X-Small w/ Buckle Closure, 6"-8" Circum. 60250
 - Small w/ Buckle Closure, 7"-8.5" Circum. 60251
 - Medium w/ Buckle Closure, 8"-11" Circum. 60252
 - Large w/ Buckle Closure, 9"-12" Circum. 60253
 - X-Large w/ Buckle Closure, 12.5"-15" Circum. 60254
 - X-Small w/ Hook-N-Loop Closure, 5"-6" Circum. 60255
 - Small w/ Hook-N-Loop Closure, 6"-8" Circum. 60256
 - Med w/ Hook-N-Loop Closure, 8"-10.5" Circum. 60257
 - Large w/ Hook-N-Loop Closure, 9"-12" Circum. 60258
 - X-Lrg w/ Hook-N-Loop Closure, 12"-15" Circum. 60259
- Padded Footbox (K0108)
 - Small, Full Design, Fits 14" Chair 30111 _____ \$287
 - Medium, Full Design, Fits 16" Chair 30112 _____ \$293
 - Large, Full Design, Fits 18" Chair 30113 _____ \$298
 - Small, Split Design, Fits 14" Chair 30152 _____ \$367
 - Medium, Split Design, Fits 16" Chair 30153 _____ \$373
 - Large, Split Design, Fits 18" Chair 30154 _____ \$378
- Molded Shoe Holders (K0108) _____ \$162
Sold in pairs
 - Small with Plain Straps, 3.5" x 5.25" 30293
 - Medium with Plain Straps, 4" x 6.5" 30303
 - Large with Plain Straps, 4.75" x 8" 30309
 - X-Large with Plain Straps, 5" x 10" 30316



Half Tray

Not compatible with Swing Away Armrests

- Standard Shape, Clear, Flip-Away (E0950, E1028) _____ \$246
 - Right Side 41310 Left Side 41311
- Standard Shape, Padded, Flip-Away (E0950, E1028) _____ \$269
 - Right Side 41350 Left Side 41353
- Trimline Shape, Padded, Flip-Away (E0950, E1028) _____ \$269
 - Right Side 41352 Left Side 41351

Clear Tray with Border and Pre-Drilled Holes

STEP 1: Choose Tray

Chair Width	Tray Dimension (W x D)	Body Cutout (W x D)	HCPCS	Part Number	Price	
14"	20 x 18	10.5 x 6	E0950	33210	\$220	<input type="checkbox"/>
	20 x 18	11.5 x 6.5	E0950	33211	\$220	<input type="checkbox"/>
15"	21 x 18	11.5 x 6.5	E0950	33212	\$220	<input type="checkbox"/>
	21 x 18	12.5 x 7	E0950	33213	\$220	<input type="checkbox"/>
16"	22 x 21	12.5 x 7.5	E0950	33214	\$255	<input type="checkbox"/>
	22 x 21	13.5 x 8.5	E0950	33215	\$255	<input type="checkbox"/>
17"	23.5 x 22	13.5 x 8.5	E0950	33216	\$255	<input type="checkbox"/>
	23.5 x 22	14.5 x 9.5	E0950	33217	\$285	<input type="checkbox"/>
18"	24.5 x 22	14.5 x 9.5	E0950	33218	\$285	<input type="checkbox"/>
	24.5 x 22	15.5 x 10.5	E0950	33219	\$285	<input type="checkbox"/>
19"	26.5 x 22	15.5 x 10.5	E0950	33220	\$285	<input type="checkbox"/>
	26.5 x 22	16.5 x 11	E0950	33221	\$285	<input type="checkbox"/>
20"	26.5 x 22	17 x 11	E0950	33222	\$309	<input type="checkbox"/>
	26.5 x 22	18 x 11	E0950	33223	\$309	<input type="checkbox"/>
21"	27.5 x 23.5	17.5 x 11	E0950	33224	\$309	<input type="checkbox"/>
	27.5 x 23.5	19 x 11	E0950	33225	\$309	<input type="checkbox"/>
22"	28.5 x 23.5	18.5 x 11	E0950	33226	\$309	<input type="checkbox"/>
	28.5 x 23.5	20 x 11	E0950	33227	\$309	<input type="checkbox"/>

STEP 2: Choose Tray Hardware

- E-Z Lock Clamps, Tube Arm (E1028) 31072 _____ \$150
Available only with Swing Away and Swing Away with Side Guard Armrests. Sold in Pairs.
- E-Z Lock Clamps, Standard (E1028) 31098 _____ \$142
Not available with Swing Away and Swing Away with Side Guard Armrests. Sold in Pairs.

Communication Mount Hardware

Choose Device Holder AND Mount

STEP 1: What DEVICE will be used?

- Smart Phone 32359 _____ \$150
- Large Smart Phone 32354 _____ \$150
- I-Pad 32355 _____ \$184
- I-Pad Mini 32356 _____ \$178
- 7" Tablet 32357 _____ \$173
- 10" Tablet 32358 _____ \$395

STEP 2: Where does it need to MOUNT?

- 1-3/8" Frame 32366 _____ \$512
- Armrest 32351 _____ \$395
Not compatible with Swing Away Armrests
- Tray 32352 _____ \$212