



Phone (800) 981-1540 | Fax (715) 254-0996
 sales@kimobility.com | www.kimobility.com

Effective 05/23/2017

Company: _____

Ship To: _____

Account Number: _____ Date: _____

Address: _____

Quote PO Number: _____

City: _____ State: _____

RTS: _____

Zip: _____ Phone: _____

Marked For: _____

Email/Fax: _____

Rogue XPe K0005, E1235 **\$2395**
Rogue Width Growable Frame. Price does not include one time free growth kit. 200 lb weight capacity. Maximum Seat Width of 18".

*HCPCS codes provided are based on code verification by the PDAC or our interpretation of the code definitions.
 Proper use of HCPCS codes does not ensure coverage or payment. For coverage information, verify the appropriate payer's coverage policy.*

Frame

Seat Width / Seat Depth

Select box corresponding to desired Seat Width and Depth. See references A and B on page 7.

		Seat Width									
		10"	11"	12"	13"	14"	15"	16"	17"	18"	
Seat Depth	Price	N/C	N/C	N/C	N/C	N/C	N/C	N/C	N/C	N/C	N/C
	10"	<input type="checkbox"/>	<input type="checkbox"/>	<input type="checkbox"/>	<input type="checkbox"/>	<input type="checkbox"/>	<input type="checkbox"/>	<input type="checkbox"/>	<input type="checkbox"/>	<input type="checkbox"/>	<input type="checkbox"/>
	11"	<input type="checkbox"/>	<input type="checkbox"/>	<input type="checkbox"/>	<input type="checkbox"/>	<input type="checkbox"/>	<input type="checkbox"/>	<input type="checkbox"/>	<input type="checkbox"/>	<input type="checkbox"/>	<input type="checkbox"/>
	12"	<input type="checkbox"/>	<input type="checkbox"/>	<input type="checkbox"/>	<input type="checkbox"/>	<input type="checkbox"/>	<input type="checkbox"/>	<input type="checkbox"/>	<input type="checkbox"/>	<input type="checkbox"/>	<input type="checkbox"/>
	13"	<input type="checkbox"/>	<input type="checkbox"/>	<input type="checkbox"/>	<input type="checkbox"/>	<input type="checkbox"/>	<input type="checkbox"/>	<input type="checkbox"/>	<input type="checkbox"/>	<input type="checkbox"/>	<input type="checkbox"/>
	14"	<input type="checkbox"/>	<input type="checkbox"/>	<input type="checkbox"/>	<input type="checkbox"/>	<input type="checkbox"/>	<input type="checkbox"/>	<input type="checkbox"/>	<input type="checkbox"/>	<input type="checkbox"/>	<input type="checkbox"/>
	15"	<input type="checkbox"/>	<input type="checkbox"/>	<input type="checkbox"/>	<input type="checkbox"/>	<input type="checkbox"/>	<input type="checkbox"/>	<input type="checkbox"/>	<input type="checkbox"/>	<input type="checkbox"/>	<input type="checkbox"/>
	16"	<input type="checkbox"/>	<input type="checkbox"/>	<input type="checkbox"/>	<input type="checkbox"/>	<input type="checkbox"/>	<input type="checkbox"/>	<input type="checkbox"/>	<input type="checkbox"/>	<input type="checkbox"/>	<input type="checkbox"/>
	17"	<input type="checkbox"/>	<input type="checkbox"/>	<input type="checkbox"/>	<input type="checkbox"/>	<input type="checkbox"/>	<input type="checkbox"/>	<input type="checkbox"/>	<input type="checkbox"/>	<input type="checkbox"/>	<input type="checkbox"/>
	18"	<input type="checkbox"/>	<input type="checkbox"/>	<input type="checkbox"/>	<input type="checkbox"/>	<input type="checkbox"/>	<input type="checkbox"/>	<input type="checkbox"/>	<input type="checkbox"/>	<input type="checkbox"/>	<input type="checkbox"/>
19"	<input type="checkbox"/>	<input type="checkbox"/>	<input type="checkbox"/>	<input type="checkbox"/>	<input type="checkbox"/>	<input type="checkbox"/>	<input type="checkbox"/>	<input type="checkbox"/>	<input type="checkbox"/>	<input type="checkbox"/>	
20"	N/C E2203	<input type="checkbox"/>	<input type="checkbox"/>	<input type="checkbox"/>	<input type="checkbox"/>	<input type="checkbox"/>	<input type="checkbox"/>	<input type="checkbox"/>	<input type="checkbox"/>	<input type="checkbox"/>	

Transit Option

Cannot be retrofitted

Transit System K0108 _____ \$320

Seat Option

- Standard Seat Sling _____ N/C
- Solid Seat Pan E2231 _____ \$245
- Omit Seat _____ N/C

Sling Position

In Performance Position (0"), sling is at front of frame. The 1" or 2" sling position extends the frame in front of the sling by that amount. See reference C on page 7.

- 0" (Performance) _____ N/C
- 1" _____ N/C
- 2" (Classic) _____ N/C

Adjustable Depth

Adds the capability to grow seat in depth. Depth of chair cannot exceed 20.5".

- No Rear Adjustment _____ N/C
- 1/2" _____ N/C
- 1" _____ N/C
- 2" _____ N/C
- 3" _____ N/C

Front Frame Bend

Angle between front seat tube and ground. See reference D on page 7.

- 90° _____ \$150
- 85° _____ N/C
- 80° _____ N/C
- 75° _____ N/C
- 70° _____ N/C

Backrest

Back Post / Height Range / Back Height

Select Back Height in row corresponding to desired Back Post and Height Range

Back Post	Height Range	Back Height				
		Ex. Short ¹	<input type="checkbox"/> 9	<input type="checkbox"/> 10	<input type="checkbox"/> 11	<input type="checkbox"/> 12
Height Adjustable (Standard or 1" Inward Offset)	Short	<input type="checkbox"/> 11 ¹	<input type="checkbox"/> 12	<input type="checkbox"/> 13	<input type="checkbox"/> 14	
	Medium	<input type="checkbox"/> 13	<input type="checkbox"/> 14	<input type="checkbox"/> 15	<input type="checkbox"/> 16	
	Tall	<input type="checkbox"/> 15	<input type="checkbox"/> 16	<input type="checkbox"/> 17	<input type="checkbox"/> 18	
Fixed Height (Straight or 1" Inward Offset)		<input type="checkbox"/> 9 ¹	<input type="checkbox"/> 10 ¹	<input type="checkbox"/> 11 ¹	<input type="checkbox"/> 12	<input type="checkbox"/> 13
		<input type="checkbox"/> 14	<input type="checkbox"/> 15	<input type="checkbox"/> 16	<input type="checkbox"/> 17	<input type="checkbox"/> 18
Fixed Height 2" Offset		<input type="checkbox"/> 11 ¹	<input type="checkbox"/> 12 ¹	<input type="checkbox"/> 13 ¹	<input type="checkbox"/> 14 ¹	
		<input type="checkbox"/> 15	<input type="checkbox"/> 16	<input type="checkbox"/> 17		

¹ Not available with Fold Down Push Handle

Stroller Handle

Stroller Handles are removable and height adjustable

- Ergo Stroller Handle _____ \$185
- Single Stroller Handle _____ \$165
- Double Stroller Handle _____ \$330
Not available with Push Handles or 10" Seat Width

Back Upholstery

Available only with Height Adjustable Back Posts

- Padded Velcro Adjustable _____ Std
- Tension Adjustable E2611 _____ \$295
- Omit Back Upholstery _____ -\$10

Height Adjustable Back Post Option

Selection required with Height Adjustable Back Post. Each Offset Back Post is offset 1/2" creating 1" overall offset.

- Standard _____ N/C
- 1" Inward Offset _____ N/C

Fixed Height Back Post Option

Selection required with Fixed Height Back Post. Uses 1" tubes compatible with after-market backs. Not available with back upholstery. 2" Inward or Outward Offset Back Posts are offset 1" creating 2" overall offset. 1" Offset Back Post is offset 1/2" creating 1" overall offset.

- Straight _____ N/C
- 1" Inward Offset _____ N/C
- 2" Inward Offset _____ \$95
- 2" Outward Offset _____ \$95
Not available with Swing Away Armrests

Push Handle

- Omit Push Handle _____ N/C
- Standard Push Handle _____ \$15
- Low Profile Push Handle _____ \$135
2" shorter than standard push handles
- Fold Down Push Handle _____ \$100
Not available on Height Adjustable Back Posts with 9"-11" Back Heights or Offset Back Posts with 11"-14" Back Heights
- Bolt-On Push Handle _____ \$175
Handles will be 1" - 2" above back height

Spinergy Backrest Release Cable Color

Select desired color. If no selection is made, black will be used.

- Black
- Red
- White
- Blue
- Yellow
- Orange
- Green
- Pink

Seat Back Angle

Standard is 90° (perpendicular to floor). Minus (-°) closes back angle. Plus (+°) opens back angle.

- Std
- +2°
- +4°
- +6°
- +8°
- +10°
- 2°
- 4°
- 6°
- 8°
- 10°

Front Seat Height and Casters

Caster Size / Footrest Taper / Front Seat Height

Select Front Seat Height in row corresponding to Footrest Taper and Caster Size. 6" casters not available with 85° and 90° Front Frame Bend. Footrest Taper indicates bend of front frame creating footrest width. Taper is measured from outside of seat frame to outside of front tube. See reference E on page 7.

Front Seat Height is measured from floor to top of seat tube at front of seat sling. Adjustable up or down by 1/2". See reference F on page 7.

Footrest Taper	Caster Size	Front Seat Height														
Straight	3"	<input type="checkbox"/> 13.5	<input type="checkbox"/> 14	<input type="checkbox"/> 14.5	<input type="checkbox"/> 15	<input type="checkbox"/> 15.5	<input type="checkbox"/> 16	<input type="checkbox"/> 16.5	<input type="checkbox"/> 17	<input type="checkbox"/> 17.5	<input type="checkbox"/> 18	<input type="checkbox"/> 18.5	<input type="checkbox"/> 19	<input type="checkbox"/> 19.5	<input type="checkbox"/> 20	<input type="checkbox"/> 20.5
	4"	<input type="checkbox"/> 14	<input type="checkbox"/> 14.5	<input type="checkbox"/> 15	<input type="checkbox"/> 15.5	<input type="checkbox"/> 16	<input type="checkbox"/> 16.5	<input type="checkbox"/> 17	<input type="checkbox"/> 17.5	<input type="checkbox"/> 18	<input type="checkbox"/> 18.5	<input type="checkbox"/> 19	<input type="checkbox"/> 19.5	<input type="checkbox"/> 20	<input type="checkbox"/> 20.5	
	5"	<input type="checkbox"/> 14.5	<input type="checkbox"/> 15	<input type="checkbox"/> 15.5	<input type="checkbox"/> 16	<input type="checkbox"/> 16.5	<input type="checkbox"/> 17	<input type="checkbox"/> 17.5	<input type="checkbox"/> 18	<input type="checkbox"/> 18.5	<input type="checkbox"/> 19	<input type="checkbox"/> 19.5	<input type="checkbox"/> 20	<input type="checkbox"/> 20.5		
	6"	<input type="checkbox"/> 15	<input type="checkbox"/> 15.5	<input type="checkbox"/> 16	<input type="checkbox"/> 16.5	<input type="checkbox"/> 17	<input type="checkbox"/> 17.5	<input type="checkbox"/> 18	<input type="checkbox"/> 18.5	<input type="checkbox"/> 19	<input type="checkbox"/> 19.5	<input type="checkbox"/> 20	<input type="checkbox"/> 20.5			
1" Taper	3"	<input type="checkbox"/> 16.5	<input type="checkbox"/> 17	<input type="checkbox"/> 17.5	<input type="checkbox"/> 18	<input type="checkbox"/> 18.5	<input type="checkbox"/> 19	<input type="checkbox"/> 19.5	<input type="checkbox"/> 20	<input type="checkbox"/> 20.5						
	4"	<input type="checkbox"/> 17	<input type="checkbox"/> 17.5	<input type="checkbox"/> 18	<input type="checkbox"/> 18.5	<input type="checkbox"/> 19	<input type="checkbox"/> 19.5	<input type="checkbox"/> 20	<input type="checkbox"/> 20.5							
	5"	<input type="checkbox"/> 17.5	<input type="checkbox"/> 18	<input type="checkbox"/> 18.5	<input type="checkbox"/> 19	<input type="checkbox"/> 19.5	<input type="checkbox"/> 20	<input type="checkbox"/> 20.5								
	6"	<input type="checkbox"/> 18	<input type="checkbox"/> 18.5	<input type="checkbox"/> 19	<input type="checkbox"/> 19.5	<input type="checkbox"/> 20	<input type="checkbox"/> 20.5									

Caster Type

- .75" Rollerblade _____ N/C
Not available with 5" and 6" Caster Sizes
- .75" Lighted Rollerblade _____ \$70
Not available with 6" Caster Size
- 1" Poly _____ N/C
Not available with 3" Caster Size
- 1" Poly Aluminum _____ \$110
Not available with 3" and 6" Caster Sizes
- 1" Pneumatic _____ \$80
Not available with 3", 4" or 5" Caster Sizes
- 1.5" Poly _____ \$50
Not available with 3" Caster Size
- 1.5" Soft Roll Aluminum _____ \$175

Fork Options

- Standard Fork _____ Std
 - Single Sided Fork _____ \$125
 - Frog Legs Ultra-Sport Fork - Black E1015 _____ \$425
Not included in Colored Anodizing Package
- End User Weight Required: _____ lbs**
- Frog Legs PHASE 2 Carbon Fork **New!** _____ \$425
Lightweight shock absorbing fork. Not included in Colored Anodizing Package.

Footrest

Footplate

- Tubular "Open" Footplate _____ Std
Not available with footrest widths less than 9.5". See Reference G on page 7.
- Tubular Footplate with ABS Cover _____ \$30
Not available with footrest widths less than 9.5". See Reference G on page 7.
- Aluminum Angle Adjustable K0040 _____ \$95
- Aluminum Angle Adjustable with Riser K0040, K0037 _____ \$165
- High Mount Aluminum Angle Adjustable K0040, K0037 _____ \$165
- Angle Adjustable Flip Under K0040, K0037 _____ \$185
Not available with footrest widths less than 9.5". See Reference G on page 7.
- High Mount Angle Adjustable Flip Under K0040, K0037 _____ \$270
Not available with footrest widths greater than 15.5". See Reference G on page 7.

Seat to Footrest Length

Measured from front edge of seat sling to top, rear of footrest. Footrest length at least 2.5" shorter than Front Seat Height recommended. See reference H on page 7.

<input type="checkbox"/> 8"	<input type="checkbox"/> 8.5"	<input type="checkbox"/> 9"	<input type="checkbox"/> 9.5"	<input type="checkbox"/> 10"	<input type="checkbox"/> 10.5"
<input type="checkbox"/> 11"	<input type="checkbox"/> 11.5"	<input type="checkbox"/> 12"	<input type="checkbox"/> 12.5"	<input type="checkbox"/> 13"	<input type="checkbox"/> 13.5"
<input type="checkbox"/> 14"	<input type="checkbox"/> 14.5"	<input type="checkbox"/> 15"	<input type="checkbox"/> 15.5"	<input type="checkbox"/> 16"	<input type="checkbox"/> 16.5"
<input type="checkbox"/> 17"	<input type="checkbox"/> 17.5"	<input type="checkbox"/> 18"	<input type="checkbox"/> 18.5"	<input type="checkbox"/> 19"	<input type="checkbox"/> 19.5"

Footrest Protector

- Footrest Protector _____ N/C
Not available with Angle Adjustable Flip Under, High Mount Angle Adjustable Flip Under or High Mount Aluminum Angle Adjustable Footplates

Rear Seat Height and Wheels

Wheel Size / Rear Seat Height

Select Rear Seat Height in row corresponding to desired Wheel Size. For proper setup, selection is required when omitting rear wheels. Measured from floor to top of seat tube at front of back post. Rear Seat Height is custom to needs. See reference I on page 7.

Wheel Size	Rear Seat Height															
18"	<input type="checkbox"/> 11.5 ¹	<input type="checkbox"/> 12	<input type="checkbox"/> 12.5	<input type="checkbox"/> 13	<input type="checkbox"/> 13.5	<input type="checkbox"/> 14	<input type="checkbox"/> 14.5	<input type="checkbox"/> 15	<input type="checkbox"/> 15.5	<input type="checkbox"/> 16	<input type="checkbox"/> 16.5	<input type="checkbox"/> 17	<input type="checkbox"/> 17.5	<input type="checkbox"/> 18	<input type="checkbox"/> 18.5	<input type="checkbox"/> 19
20"	<input type="checkbox"/> 12.5 ¹	<input type="checkbox"/> 13	<input type="checkbox"/> 13.5	<input type="checkbox"/> 14	<input type="checkbox"/> 14.5	<input type="checkbox"/> 15	<input type="checkbox"/> 15.5	<input type="checkbox"/> 16	<input type="checkbox"/> 16.5	<input type="checkbox"/> 17	<input type="checkbox"/> 17.5	<input type="checkbox"/> 18	<input type="checkbox"/> 18.5	<input type="checkbox"/> 19	<input type="checkbox"/> 19.5	<input type="checkbox"/> 20
22"	<input type="checkbox"/> 13.5 ¹	<input type="checkbox"/> 14	<input type="checkbox"/> 14.5	<input type="checkbox"/> 15	<input type="checkbox"/> 15.5	<input type="checkbox"/> 16	<input type="checkbox"/> 16.5	<input type="checkbox"/> 17	<input type="checkbox"/> 17.5	<input type="checkbox"/> 18	<input type="checkbox"/> 18.5	<input type="checkbox"/> 19	<input type="checkbox"/> 19.5	<input type="checkbox"/> 20		
24"	<input type="checkbox"/> 14.5 ¹	<input type="checkbox"/> 15	<input type="checkbox"/> 15.5	<input type="checkbox"/> 16	<input type="checkbox"/> 16.5	<input type="checkbox"/> 17	<input type="checkbox"/> 17.5	<input type="checkbox"/> 18	<input type="checkbox"/> 18.5	<input type="checkbox"/> 19	<input type="checkbox"/> 19.5	<input type="checkbox"/> 20				
25"	<input type="checkbox"/> 15 ¹	<input type="checkbox"/> 15.5	<input type="checkbox"/> 16	<input type="checkbox"/> 16.5	<input type="checkbox"/> 17	<input type="checkbox"/> 17.5	<input type="checkbox"/> 18	<input type="checkbox"/> 18.5	<input type="checkbox"/> 19	<input type="checkbox"/> 19.5	<input type="checkbox"/> 20					

¹ Available only with Low Profile Rear Tire Type

One Arm Drive

- One Arm Drive E0958 \$1495
 Available only with 24" Mag wheels. Not available with 0°, 6° or 8° camber or 10" Seat Width. 2° Camber required with One Arm Drive and Height Adjustable T-Arm combination. Axle not quick release. Standard Handrim will be Aluminum Anodized.
 Drive Handrim Side: Left Right
 Drive Handrim Type: Aluminum N/C
 Poly Coated \$200

Rear Wheel Type

- Spoke N/C
- Mag (Black) \$50
 Not available in 18" or 25" rear wheels
- Colored Mag \$100
 Available only in 20" and 22" rear wheels
 Color: Florescent Red White Blue Pink
- Superlight Spoke \$315
 Available only in 24" and 25" rear wheels
- Spinergy Spox \$795
 Not available in 18" rear wheel
 Color: Black Red White Blue Yellow
 Handrim: Short Tab Long Tab
 Available only with Aluminum Anodized and Plastic Coated Handrims
- Spinergy LX \$995
 Not available in 18" or 20" rear wheels
 Color: Black Red White Blue Yellow
 Pink Green Orange
 Handrim: Short Tab Long Tab
 Available only with Aluminum Anodized and Plastic Coated Handrims
- Omit Rear Wheels N/C

Handrim

No selection needed with One Arm Drive

Standard Handrims

- Aluminum Anodized Std
- Superlight Aluminum Anodized \$50
 Available only on 24" and 25" Superlight and Spinergy wheels
- Plastic Coated \$95
- Projection (8 Vertical Projections) \$315
 Available on 22", 24" and 25" Spoke wheels & 24" Mag wheels w/full tires
- Spinergy Flex Rim \$600
 Available only on 24" and 25" Spinergy LX wheels
- Omit Handrim N/C

DCN0168.7 Pricing and specifications subject to change without notice

Rear Tire Type

Full Profile

- Street Pneumatic 1 3/8" E2211, E2212 Std
 Not available on 25" rear wheel
- Full Poly 1 3/8" E2218 \$95
 Not available on Superlight or 25" rear wheel
- Pneumatic with Airless Insert 1 3/8" E2211, E2213 \$80
 Not available on Superlight or 25" rear wheel
- Schwalbe HS-127 1 3/8" E2211, E2212 **New!** \$125
 Available only on 24" rear wheel. Not available on Mag wheels.
- Euro Trek Knobby 1 3/8" E2211, E2212 \$95
 Available only on 24" rear wheel
- Mountain 2" Black E2211, E2212 \$95
 Available only on 22", 24" and 25" Spoke and Spinergy wheels

Low Profile

- Low Poly 1" E2218 \$75
 Not available on Superlight or 25" rear wheel
- Sentinel Solid Tire 1" E2218 \$95
 Not available on Superlight or 18" rear wheel
- High Pressure 1" E2211, E2212 \$95
 Not available on Mag or 18" rear wheel
- Schwalbe One 1" E2211, E2212 **New!** \$125
 Available only on 24" and 25" rear wheels. Not available on Mag wheels.
- Schwalbe Marathon Plus Evolution 1" E2211, E2212 \$125
 Available only on 24" and 25" rear wheels. Not available on Mag wheels.

Natural Fit Handrims

Not available on 18" or 20" rear wheels or 22" Mag wheels. Not recommended with Mag wheels.

- Natural Fit LT Regular Grip \$445
- Natural Fit Standard Regular Grip \$445
- Natural Fit LT Super Grip \$495
- Natural Fit Standard Super Grip \$495
- Natural Fit LT Omit Grip \$345
- Natural Fit Standard Omit Grip \$345

Rear Seat Height and Wheels continued

Handrim Option

- 3M Micro Grip _____ \$65
Not available on Plastic Coated or Projection Handrims

Axle

- Quick Release _____ Std
- Quad Quick Release _____ \$175
Not available with Mag wheels

Wheelchair Drive Ready

Chair will ship from Ki Mobility with adaption kit installed for selected Alber system. Order system separately from Alber USA. Select Rear Seat Height (full profile selections only) in drive wheel size on Rear Seat Height chart (page 4). Requires Rear Anti-Tips. Not available with 5th Wheel or Spinergy wheels.

- e-motion Ready _____ N/C
- twion Ready _____ N/C

Camber Selection: 0° 3°

Rear Wheel Camber

- 0° 2° 4° 6° 8°

Wheel Locks

Wheel Lock

- Push to Lock _____ Std
- Push to Lock Flush Mount _____ N/C
- Pull to Lock _____ N/C
- Under Seat Scissor Lock _____ \$35
- Low Profile Scissor Lock _____ \$45
Not available with Low Poly tire
- Short Thro Scissor Lock _____ \$125
- Omit Wheel Locks _____ N/C

Armrests

Armrest Please select Arm Pad option

- Height Adjustable T-Arm (8.5" - 13.5") E0973 _____ \$340
Not available with Seat Depths less than 13". 1.5" minimum Rear Wheel Spacing
- Height Adjustable T-Arm Low (7.5" - 11.5") E0973 _____ \$340
Not available with Seat Depths less than 12". 1.5" minimum Rear Wheel Spacing
- Angle Adjustable Locking Extendable Flip Up E0973 _____ \$265
Requires Fixed Height Backrest. Not available with backrest heights less than 12".

Arm Pad

Not available with Swing Away Armrests

- Standard Arm Pad _____ N/C Desk Full
- Waterfall Arm Pad _____ \$25 Desk Full
Not available with Angle Adjustable Locking Extendable Flip Up Armrest
- Foam Grip _____ N/C Desk Full
Available only with Angle Adjustable Locking Extendable Flip Up Armrest

Side Guards

Removable Side Guards

Not available with Height Adjustable Armrests or Swing Away w/ Side Guard Armrests. 12" minimum Seat Depth for Composite Side Guards-Direct Mount and Composite Side Guards-Clamp-on Receiver.

- Composite Side Guards - Direct Mount Receiver K0108 _____ \$145
- Composite Side Guards - Clamp-on Receiver K0108 _____ \$175
- Composite Side Guards - Pediatric K0108 _____ \$140
Includes clamp-on receiver
- Fender Side Guards K0108 _____ \$280
Includes clamp-on receiver

Rear Wheel Spacing

1.5" minimum Rear Wheel Spacing with Height Adjustable Armrest. 1" minimum Rear Wheel Spacing with 0° Rear Wheel Camber. See reference K on page 7. No selection needed with One Arm Drive or Wheelchair Drive Ready options.

- .75" 1" 1.25" 1.5" 1.75"

Center of Gravity Preset

Measured from front of back post to center of rear axle. 0" indicates axle will be directly under back post. 2" minimum Center of Gravity with 5th Wheel and One Arm Drive. See reference J on page 7.

Amputee Positions

<input type="checkbox"/> -1.5"	<input type="checkbox"/> -1.25"	<input type="checkbox"/> -1"	<input type="checkbox"/> -.75"
<input type="checkbox"/> -.5"	<input type="checkbox"/> -.25"	<input type="checkbox"/> 0"	<input type="checkbox"/> .25"

Standard Positions

<input type="checkbox"/> .5"	<input type="checkbox"/> .75"	<input type="checkbox"/> 1"	<input type="checkbox"/> 1.25"
<input type="checkbox"/> 1.5"	<input type="checkbox"/> 1.75"	<input type="checkbox"/> 2"	<input type="checkbox"/> 2.25"
<input type="checkbox"/> 2.5"	<input type="checkbox"/> 2.75"	<input type="checkbox"/> 3"	<input type="checkbox"/> 3.25"
<input type="checkbox"/> 3.5"	<input type="checkbox"/> 3.75"	<input type="checkbox"/> 4"	<input type="checkbox"/> 4.25"

Wheel Lock Options

- Extension Handles E0961 _____ \$67
Available only with Push to Lock or Pull to Lock Wheel Locks
- Grade Aids E0974 _____ \$150
Available only with Push to Lock Wheel Locks and Pneumatic or Pneumatic with Airless Insert Rear Tire Types

Armrest continued

- Short Swing Away (7" - 9") E0973 _____ \$195
Not available with Arm Pads or Outward Offset Back Posts. If selection is not available with rear wheel and rear seat height configuration, then Tall Swing Away armrest will be used.
- Tall Swing Away (9.25" - 11.25") E0973 _____ \$195
Not available with Arm Pads or Outward Offset Back Posts
- Short Swing Away with Side Guard (7" - 9") E0973 _____ \$285
Includes Composite Side Guard with Direct Mount Receiver. Not available with Arm Pads or Outward Offset Back Posts. If selection is not available with rear wheel and rear seat height configuration, then Tall Swing Away with Side Guard armrest will be used.
- Tall Swing Away with Side Guard (9.25" - 11.25") E0973 _____ \$285
Includes Composite Side Guard with Direct Mount Receiver. Not available with Arm Pads or Outward Offset Back Posts.
- Omit Armrests _____ N/C

Fabric Side Guard

Not available with Height Adjustable Armrests, Swing Away with Side Guard Armrests or when omitting Back Upholstery

- Fabric Side Guards K0108 _____ \$85

Accessories

5th Wheel

- Rotating removable rear caster. Not available with Anti-Tips or 25" rear wheel.*
- Standard 5th Wheel E0971 \$210
 - Dynamic 5th Wheel K0108 \$210
- Elastomer: Soft Firm
Both elastomers are included; the selected elastomer will be installed

Anti-Tip

- Not available with 5th wheel*
- Rear Anti-Tips E0971 \$140

Positioning Belt

- 1" Auto Buckle E0978 \$70
 - 1" Padded Auto Buckle E0978 \$155
 - 1 1/2" Auto Buckle E0978 \$70
 - 1 1/2" Padded Auto Buckle E0978 \$155
 - 2" Airline Buckle E0978 \$110
 - Bodypoint Evoflex - Pelvic Stabilizer E0978 \$183
- Size: Small (16-24") Medium (19-29") Large (25-37")

Belt Mounting Kit

- Ki Mobility Belt Mounting Clamp \$35
- Bodypoint Belt Mounting Bracket Kit \$105

Color

Frame and Accent

Select desired frame and accent colors. Accent color is used on backrest rigidizer bar; if no accent color is selected, frame color will be used.

Gloss Finish	Frame	Accent
Black	N/C	<input type="checkbox"/>
Blue Skies	N/C	<input type="checkbox"/>
Bubblegum Pink	N/C	<input type="checkbox"/>
Candy Blue	N/C	<input type="checkbox"/>
Candy Purple	N/C	<input type="checkbox"/>
Candy Red	N/C	<input type="checkbox"/>
Copper	N/C	<input type="checkbox"/>
Fuchsia	N/C	<input type="checkbox"/>
Granny Smith	N/C	<input type="checkbox"/>
Silver	N/C	<input type="checkbox"/>
Teal	N/C	<input type="checkbox"/>
Yellow	N/C	<input type="checkbox"/>

Calf Strap

- Velcro Adjustable K0038 \$35
- Padded Velcro Adjustable K0038 \$68
- Bodypoint Padded AeroMesh K0038 \$102

Spoke Guards

- Clear Spoke Guards K0065 \$115
Not available with Mag wheels
 - Black Spoke Guards K0065 \$115
Not available with 18" or 20" rear wheels or Mag wheels
 - Designer Spoke Guards K0065 \$200
Available only with 20" and 22" rear wheels. Not available with Mag wheels.
- Design:**
- Blue Monster
 - Robo Fun
 - Tutu Cute
 - Fairy Garden
 - Rockin' Reptiles
 - Tuxedo Time
 - Havin' a Hoot
 - Super Puppies

Other Accessories

- Tool Kit \$45
- Removable Underseat Pouch \$50
- Pediatric Ki Mobility Backpack **New!** \$65
- Ki Mobility Backpack \$65
Best fit on chairs more than 10" wide
- Luggage Carrier **New!** \$85
- Black Neoprene Impact Guards \$85
- Under Chair Carrier and Removable Bag \$85
Not available with Seat Widths less than 14"
- Cane and Crutch Holder \$195

Graphic Image Transfer

- Visit www.kimobility.com for current graphic image transfer options. Note selection below. Available on frame only; please choose accent color above.*
- \$595
Not available with Transit Option

Matte Finish	Frame	Accent
Army Green	N/C	<input type="checkbox"/>
Charcoal Gray	N/C	<input type="checkbox"/>
Emerald Green	N/C	<input type="checkbox"/>
Iridescent Burgundy	N/C	<input type="checkbox"/>
Iridescent Navy	N/C	<input type="checkbox"/>
Retro Red	N/C	<input type="checkbox"/>
Royal Blue	N/C	<input type="checkbox"/>
Shadow Black	N/C	<input type="checkbox"/>
Smooth White	N/C	<input type="checkbox"/>

Colored Anodizing Package

- Select desired color. If no selection is made, black will be used. Included in Colored Anodizing Package: Backrest plates, release cable housings, camber tube, towers, CG clamps, side guard receivers, RP tuning housing, front caster forks (standard or unitine) and Dynamic 5th Wheel split clamp. Camber tube not included if Wheelchair Drive Ready is selected.*
- Black N/C
 - Blue \$165
 - Bright Green \$165
 - Orange \$165
 - Pewter \$165
 - Pink \$165
 - Purple \$165
 - Red \$165
 - Gold \$165

References

A. Seat Width See Diagram 1

Measured from outside of frame tube on one side to outside of frame tube on other side.

B. Seat Depth See Diagram 3

Measured from front of back posts to front edge of seat sling. Seat sling starts at beginning of bend at front of frame.

C. Sling Position See Diagram 2

In Performance Position (0°), sling is at front of frame to keep chair shorter and more maneuverable. The 1" or 2" seat sling position extends the frame in front of the sling by that amount. Adding more frame can improve stability and provide support to aid in transfers.

D. Front Frame Bend See Diagram 3

Angle between front seat tube and ground.

E. Footrest Taper See Diagram 1

Indicates bend of front frame creating footrest. Taper is measured from outside of seat frame to outside of front tube.

F. Front Seat Height See Diagram 1

Measured from floor to top of seat tube at front of seat sling.

G. Footrest Width See Diagram 1

Measured from inside of front tube to inside of front tube on other side. Footrest width is listed below for each seat width and taper.

Seat Width	Straight	1" Taper
Outside Measurement	2" Narrower than Seat Width	4" Narrower than Seat Width
10"	7.5"	
11"	8.5"	
12"	9.5"	7.5"
13"	10.5"	8.5"
14"	11.5"	9.5"
15"	12.5"	10.5"
16"	13.5"	11.5"
17"	14.5"	12.5"
18"	15.5"	13.5"

H. Seat to Footrest Length See Diagram 3

Measured from front edge of seat sling to top rear of footrest. Footrest length of at least 2.5" shorter than front seat height recommended.

I. Rear Seat Height See Diagram 3

Measured from floor to top of seat tube at front of back post. Rear seat height is custom to needs.

J. Center of Gravity Preset See Diagram 3

Measured from front of back post to center of rear axle. 0" indicates axle will be directly under back post.

K. Rear Wheel Spacing See Diagram 1

Measured from outside of seat back to inside of rear tire. Adjustable out .5" from setting.

Diagram 1

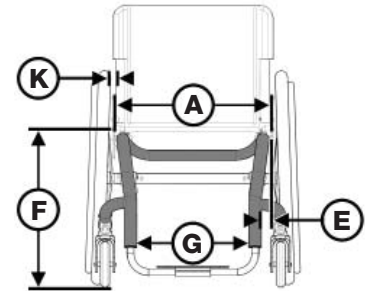


Diagram 2

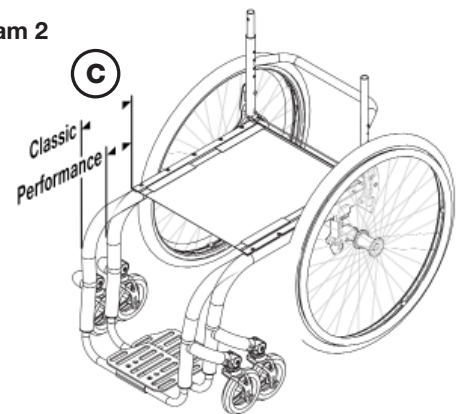
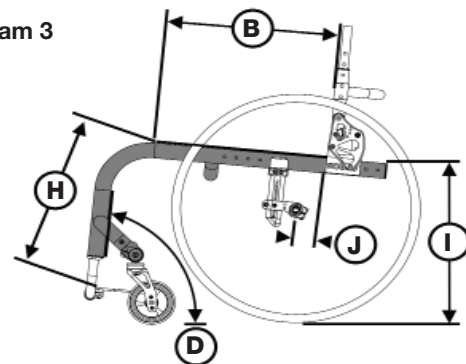


Diagram 3



Cushions

General Use Cushions

STEP 1: Choose Cushion

2" General Use Foam Cushion (10"x10" to 18"x20") E2601 ____ \$99

STEP 2: Choose Cushion Size

Match to Chair Size

Other Size _____

Matrx Seat Cushions

Cushion size is determined by chair dimensions. Certain sizes will have higher price and longer lead time; visit www.motionconcepts.com/matrx_international.html for size specifications.

STEP 1: Choose Cushion

Kidabra Cushion _____ \$510
Weight capacity is 150 lbs

PS Cushion _____ \$414
Cushions 10" through 14" wide have a weight capacity of 150 lbs

Vi Cushion _____ \$510
Not available on chairs less than 14" x 14"

Libra Cushion _____ \$582
Not available on chairs less than 14" x 14"

STEP 2: Choose Cushion Size

Match to Chair Size

Other Size - Provide Part Number _____

Other Matrx Products

Must provide part number

ROHO Seat Cushions

Cushion size is determined by chair dimensions. Certain sizes will have higher price and longer lead time; visit therohogroup.com for size specifications.

STEP 1: Choose Cushion

Standard Cushions

For chairs under 22" wide

HIGH PROFILE® Single Compartment (E2622) _____ \$603

MID PROFILE™ Single Compartment (E2622) _____ \$603

LOW PROFILE® Single Compartment (E2622) _____ \$603

QUADTRO SELECT® High Profile® (E2624) _____ \$603

QUADTRO SELECT® Mid Profile® (E2624) _____ \$603

QUADTRO SELECT® Low Profile® (E2624) _____ \$603

HYBRID ELITE® Single Comp Smart Check Ready (E2622) _____ \$623

HYBRID ELITE® Dual Compartment (E2622) _____ \$623

CONTOUR SELECT® (E2624) _____ \$603

Cushions with Heavy Duty Cover

HIGH PROFILE® Single Compartment w/ HD Cover (E2622) \$629

QUADTRO SELECT® High Profile® w/ HD Cover (E2624) ____ \$629

STEP 2: Choose Cushion Size

Match to Chair Size

Other Size - Provide Part Number _____

Backs

- Matrix Backs**
- MX1 Back with Mono Mount Hardware
Available only with 14" to 18" Seat Widths
Back Height:
 9" _____ \$930
 12" _____ \$966
 16" _____ \$1002
 - MX1 Back with Fixed Dual Mount Hardware
Available only with 14" to 18" Seat Widths
Back Height:
 9" _____ \$990
 12" _____ \$1026
 16" _____ \$1062
 - MX1 Back with Quick Release Dual Mount Hardware
Available only with 14" to 18" Seat Widths
Back Height:
 9" _____ \$1020
 12" _____ \$1056
 16" _____ \$1092
 - Mini Back
Available with 10"-15" Seat Widths. Back Height of 14" not available with 10" and 11" Seat Widths. Comes standard with Kidabra cover.
Back Height:
 7" 10" 12" 14" _____ \$750
 - Elite Back _____ \$750
Available with 14"-18" Seat Widths
Back Height:
 10" 12" 14" 16" 18" 20"
- Therafin Headrest for MATRX Back Systems**
- Headrest, Multi-Axis Offset Hardware with Smooth/Soft Pad (E1028, E0955) 34187 _____ \$420
 PAD SIZE: 5 x 8 5 x 10 5 x 14
- Other Matrix Mounting Hardware**
- Must provide part number*
- _____
For mounting hardware other than quick release
- Other Matrix Products**
- Must provide part number*
- _____

- ROHO Back Systems** (Available for chairs up to 18" wide)
- Fixed Hardware included*
- AGILITY™ Min. Contour w/ Foam Only E2611 _____ \$549
 BACKREST HEIGHT: 10" 13" 16"
 - AGILITY™ Min. Contour w/ Foam & Lumbar Pad E2613 _____ \$659
 BACKREST HEIGHT: 10" 13" 16"
 - AGILITY™ Min. Contour w/ Air Only E2620 _____ \$769
 BACKREST HEIGHT: 10" 13" 16"
 - AGILITY™ Min. Contour w/ Air & Lumbar Pad E2615 _____ \$769
 BACKREST HEIGHT: 10" 13" 16"
 - AGILITY™ Mid Contour w/ Air Only E2620 _____ \$781
 BACKREST HEIGHT: 10" 13" 16"
 - AGILITY™ Mid Contour w/ Air & Lumbar Pad E2615 _____ \$781
 BACKREST HEIGHT: 10" 13" 16"
 - AGILITY™ Max Contour w/ Air Only E2620 _____ \$920
 BACKREST HEIGHT: 16"
 - AGILITY™ Max Contour w/ Air & Lumbar Pad E2615 _____ \$920
 BACKREST HEIGHT: 16"

- ROHO Laterals for AGILITY™ Back Systems**
- Sold in pairs*
- Swing Away with Curved Pad E1028/E0956 _____ \$1014
 PAD SIZE: Medium Large X-Large
 4 T x 4 L 4 T x 5 L 5 T x 5 L
 OFFSET TYPE: Flush Offset 1" Offset 2" Offset
 - Fixed with Flat Pad E0956 _____ \$452
 PAD SIZE: Medium Large X-Large
 4 T x 4 L 4 T x 5 L 5 T x 5 L
 OFFSET TYPE: Flush Offset
- Therafin Headrest for AGILITY Back Systems**
- Headrest, Multi-Axis Offset Hardware with Smooth/Soft Pad (E1028, E0955) 34187 _____ \$420
 PAD SIZE: 5 x 8 5 x 10 5 x 14



Vest

Not compatible with Back Upholstery

- Full Shape, Comfort Strap (E0960) _____ \$167
 - Small 30589 Medium 30590 Large 30591
 - X-Large 30592 2X-Large 30593
- Full Shape, Extended Strap (E0960) _____ \$167
 - Small 30594 Medium 30595 Large 30596
 - X-Large 30597 2X-Large 30598
- Trim Shape, Comfort Strap (E0960) _____ \$169
 - Small 30618 Medium 30619 Large 30620
 - X-Large 30621 2X-Large 30622
- Trim Shape, Extended Strap (E0960) _____ \$169
 - Small 30604 Medium 30624 Large 30625
 - X-Large 30626 2X-Large 30627

Shoulder Harness

With metal clips and cam locks. Not compatible with Back Upholstery.

- Small (E0960) 61403 _____ \$157
- Medium (E0960) 61503 _____ \$164
- Large (E0960) 61703 _____ \$170
- X-Large (E0960) 61803 _____ \$177

Hip Belt

- 4 Point Y-Style, Metal Buckle (E0978) _____ \$173
 - Small 60024 Medium 60025 Large 60026
- Dual Rear Pull, Metal Attaching Clips (E0978)
 - 1" Straps, 6.25"W x 1.75"H Pads 60161 _____ \$97
 - 1.5" Straps, 7.25"W x 2.25"H Pads 60171 _____ \$106
 - 1.5" Straps, 9.25"W x 2.5"H Pads 60181 _____ \$106
- Single Pull, Metal Buckle (E0978)
 - 1" Straps, 4.25"W x 1.75"H Pads 61001 _____ \$86
 - 1" Straps, 6.25"W x 1.75"H Pads 61201 _____ \$86
 - 1.5" Straps, 5.25"W x 2.25"H Pads 62001 _____ \$95
 - 1.5" Straps, 9.25"W x 2.5"H Pads 62201 _____ \$95
 - 2" Straps, 9.25"W x 3"H Pads 64001 _____ \$102
 - 2" Straps, 11.25"W x 3"H Pads 64101 _____ \$102

Cane Mounted Swing Away Lateral Thoracic Support

Sold as pair. Not compatible with Back Upholstery.

- Swing Away Kits w/ 4"x6" Gel Pads (E0956, E1028) 50021 _____ \$478
- Swing Away Kits, No Pads (E0956, E1028) 50022 _____ \$309

Knee Adductor

- Flip Down Hardware (E1028) _____ \$734
Sold in pairs, one right side and one left side
 - Short Arm, Fits 1-3/8" Tubing 32974
 - Long Arm, Fits 1-3/8" Tubing 32973
- Knee Adductor Pad with Neoprene Cover (E0956) _____ \$117
Sold single
 - Small Pad, 4.25" x 3.25" 50490 Quantity: _____
 - Medium Pad, 6.25" x 4.25" 50491 Quantity: _____

Foot / Shoe Holder

Compatible only with Angle Adjustable Footplates

- FootSure Ankle Support (K0108) _____ \$178
Sold in pairs
 - X-Small w/ Buckle Closure, 6"-8" Circum. 60250
 - Small w/ Buckle Closure, 7"-8.5" Circum. 60251
 - Medium w/ Buckle Closure, 8"-11" Circum. 60252
 - Large w/ Buckle Closure, 9"-12" Circum. 60253
 - X-Large w/ Buckle Closure, 12.5"-15" Circum. 60254
 - X-Small w/ Hook-N-Loop Closure, 5"-6" Circum. 60255
 - Small w/ Hook-N-Loop Closure, 6"-8" Circum. 60256
 - Med w/ Hook-N-Loop Closure, 8"-10.5" Circum. 60257
 - Large w/ Hook-N-Loop Closure, 9"-12" Circum. 60258
 - X-Lrg w/ Hook-N-Loop Closure, 12"-15" Circum. 60259
- Padded Footbox (K0108)
 - Small, Full Design, Fits 14" Chair 30111 _____ \$287
 - Medium, Full Design, Fits 16" Chair 30112 _____ \$293
 - Large, Full Design, Fits 18" Chair 30113 _____ \$298
 - Small, Split Design, Fits 14" Chair 30152 _____ \$367
 - Medium, Split Design, Fits 16" Chair 30153 _____ \$373
 - Large, Split Design, Fits 18" Chair 30154 _____ \$378
- Molded Shoe Holders (K0108) _____ \$162
Sold in pairs
 - Small with Plain Straps, 3.5" x 5.25" 30293
 - Medium with Plain Straps, 4" x 6.5" 30303
 - Large with Plain Straps, 4.75" x 8" 30309
 - X-Large with Plain Straps, 5" x 10" 30316



Half Tray

Not compatible with Swing Away Armrest

- Standard Shape, Clear, Flip-Away (E0950, E1028) _____ \$246
 - Right Side 41310 Left Side 41311
- Standard Shape, Padded, Flip-Away (E0950, E1028) _____ \$269
 - Right Side 41350 Left Side 41353
- Trimline Shape, Padded, Flip-Away (E0950, E1028) _____ \$269
 - Right Side 41352 Left Side 41351

Clear Tray with Border and Pre-Drilled Holes

STEP 1: Choose Tray

Chair Width	Tray Dimension (W x D)	Body Cutout (W x D)	HCPCS	Part Number	Price	
10"	17 x 15	7.5 x 4.5, H2.75	E0955	33203	\$209	<input type="checkbox"/>
11"	17 x 15	7.5 x 4.5	E0950	33204	\$209	<input type="checkbox"/>
	17 x 15	8 x 5	E0950	33205	\$220	<input type="checkbox"/>
12"	18 x 16	8.5 x 5	E0950	33206	\$220	<input type="checkbox"/>
	18 x 16	9.5 x 5.5	E0950	33207	\$220	<input type="checkbox"/>
13"	19 x 18	9.5 x 5.5	E0950	33208	\$220	<input type="checkbox"/>
	19 x 18	10.5 x 6	E0950	33209	\$220	<input type="checkbox"/>
14"	20 x 18	10.5 x 6	E0950	33210	\$220	<input type="checkbox"/>
	20 x 18	11.5 x 6.5	E0950	33211	\$220	<input type="checkbox"/>
15"	21 x 18	11.5 x 6.5	E0950	33212	\$220	<input type="checkbox"/>
	21 x 18	12.5 x 7	E0950	33213	\$220	<input type="checkbox"/>
16"	22 x 21	12.5 x 7.5	E0950	33214	\$255	<input type="checkbox"/>
	22 x 21	13.5 x 8.5	E0950	33215	\$255	<input type="checkbox"/>
17"	23.5 x 22	13.5 x 8.5	E0950	33216	\$255	<input type="checkbox"/>
	23.5 x 22	14.5 x 9.5	E0950	33217	\$285	<input type="checkbox"/>
18"	24.5 x 22	14.5 x 9.5	E0950	33218	\$285	<input type="checkbox"/>
	24.5 x 22	15.5 x 10.5	E0950	33219	\$285	<input type="checkbox"/>

STEP 2: Choose Tray Hardware

- E-Z Lock Clamps, Tube Arm (E1028) 31072 _____ \$150
Available only with Short Swing Away, Tall Swing Away, Short Swing Away with Side Guard, Tall Swing Away with Side Guard and Angle Adjustable Locking Extendable Flip Up with Foam Grip Armrests. Sold in Pairs.
- E-Z Lock Clamps, Standard (E1028) 31098 _____ \$142
Not available with Short Swing Away, Tall Swing Away, Short Swing Away with Side Guard, Tall Swing Away with Side Guard and Angle Adjustable Locking Extendable Flip Up with Foam Grip Armrests. Sold in Pairs.

Communication Mount Hardware

Choose Device Holder AND Mount

STEP 1: What DEVICE will be used?

- Smart Phone 32359 _____ \$150
- Large Smart Phone 32354 _____ \$150
- I-Pad 32355 _____ \$184
- I-Pad Mini 32356 _____ \$178
- 7" Tablet 32357 _____ \$173
- 10" Tablet 32358 _____ \$395

STEP 2: Where does it need to MOUNT?

- 1-3/8" Frame 32366 _____ \$512
- Armrest 32351 _____ \$395
Not compatible with Swing Away Armrests
- Tray 32352 _____ \$212