



Phone (800) 981-1540 | Fax (715) 254-0996
 sales@kimobility.com | www.kimobility.com



Patent Pending

Effective 05/23/2017

Company: _____

Ship To: _____

Account Number: _____ Date: _____

Address: _____

Quote PO Number: _____

City: _____ State: _____

RTS: _____

Zip: _____ Phone: _____

Marked For: _____

Email/Fax: _____

Little Wave - Clik XP K0005, E1235 **\$2495**
 Width Growable Frame. Price includes one time free growth kit.
 165 lb weight capacity.

*HCPCS codes provided are based on code verification by the PDAC or our interpretation of the code definitions.
 Proper use of HCPCS codes does not ensure coverage or payment. For coverage information, verify the appropriate payer's coverage policy.*

End User Weight: _____ lbs (Required with Frog Legs Forks)

Frame

Seat Width / Seat Depth

Select box corresponding to desired Seat Width and Depth.
 See references A and B on page 6.

		Seat Width								
		8"	9"	10"	11"	12"	13"	14"	15"	16"
Seat Depth	8"	<input type="checkbox"/>	<input type="checkbox"/>	<input type="checkbox"/>	<input type="checkbox"/>	<input type="checkbox"/>	<input type="checkbox"/>	<input type="checkbox"/>	<input type="checkbox"/>	<input type="checkbox"/>
	9"	<input type="checkbox"/>	<input type="checkbox"/>	<input type="checkbox"/>	<input type="checkbox"/>	<input type="checkbox"/>	<input type="checkbox"/>	<input type="checkbox"/>	<input type="checkbox"/>	<input type="checkbox"/>
	10"	<input type="checkbox"/>	<input type="checkbox"/>	<input type="checkbox"/>	<input type="checkbox"/>	<input type="checkbox"/>	<input type="checkbox"/>	<input type="checkbox"/>	<input type="checkbox"/>	<input type="checkbox"/>
	11"	<input type="checkbox"/>	<input type="checkbox"/>	<input type="checkbox"/>	<input type="checkbox"/>	<input type="checkbox"/>	<input type="checkbox"/>	<input type="checkbox"/>	<input type="checkbox"/>	<input type="checkbox"/>
	12"	<input type="checkbox"/>	<input type="checkbox"/>	<input type="checkbox"/>	<input type="checkbox"/>	<input type="checkbox"/>	<input type="checkbox"/>	<input type="checkbox"/>	<input type="checkbox"/>	<input type="checkbox"/>
	13"	<input type="checkbox"/>	<input type="checkbox"/>	<input type="checkbox"/>	<input type="checkbox"/>	<input type="checkbox"/>	<input type="checkbox"/>	<input type="checkbox"/>	<input type="checkbox"/>	<input type="checkbox"/>
	14"	<input type="checkbox"/>	<input type="checkbox"/>	<input type="checkbox"/>	<input type="checkbox"/>	<input type="checkbox"/>	<input type="checkbox"/>	<input type="checkbox"/>	<input type="checkbox"/>	<input type="checkbox"/>
	15"	<input type="checkbox"/>	<input type="checkbox"/>	<input type="checkbox"/>	<input type="checkbox"/>	<input type="checkbox"/>	<input type="checkbox"/>	<input type="checkbox"/>	<input type="checkbox"/>	<input type="checkbox"/>
16"	<input type="checkbox"/>	<input type="checkbox"/>	<input type="checkbox"/>	<input type="checkbox"/>	<input type="checkbox"/>	<input type="checkbox"/>	<input type="checkbox"/>	<input type="checkbox"/>	<input type="checkbox"/>	

Adjustable Depth

Adds the capability to grow seat in depth. For restrictions see Chart 2 on page 6.

- No Rear Adjustment _____ N/C
- 1" _____ N/C
- 2" _____ N/C
- 3" _____ N/C

Backrest

Back Upholstery

Available only with Height Adjustable Back Posts

- Padded Velcro Adjustable _____ Std
Not available with 17" or 18" Back Heights in combination with 8" or 9" Seat Widths
- Tension Adjustable E2611 _____ \$295
Not available with 8" and 9" Seat Widths
- Omit Back Upholstery _____ -\$10

Transit Option

- Transit System K0108 _____ N/C

Offset Option

- See Chart 1 on page 6
- Offset Frame _____ N/C
Not available with 0 and -1 Sling Positions

Seat Option

- Growing Seat Sling _____ N/C
- Growing Solid Seat Pan E2231 _____ \$245
- Omit Seat _____ N/C

Sling Position

With 0 Sling Position, sling is approximately 4" from front down tube. The 1 and 2 Sling Positions extend the frame in front of the sling by that amount. -1 pushes the seat 1" farther forward. See reference D on page 6 for further detail and restrictions.

- 2 _____ N/C
- 1 _____ N/C
- 0 _____ N/C
Not available with Offset Frame
- 1 _____ N/C
Not available with Offset Frame

Front Caster Wing

Certain combinations of Seat Depth, Center of Gravity Position and Wheel Size may require a forward facing caster wing

- Forward Facing Wing _____ N/C

Front Frame Bend

Angle between front seat tube and ground. See reference C on page 6.

- 90° _____ N/C
- 85° _____ N/C
- 80° _____ N/C

Seat Back Angle

Standard is 90° (perpendicular to floor). Minus (-°) closes back angle. Plus (+°) opens back angle.

- Std +2° +4° +6° +8° +10°
- 2° -4° -6° -8° -10°

Spinergy Backrest Release Cable Color

Select desired color. If no selection is made, black will be used.

- Black Red White Blue
- Yellow Orange Green Pink

Backrest continued

Back Post / Height Range / Back Height

Select Back Height in row corresponding to desired Back Post and Height Range

Back Post	Height Range	Back Height				
Height Adjustable (Standard or 1" Inward Offset)	Ex. Short ¹	<input type="checkbox"/> 9	<input type="checkbox"/> 10	<input type="checkbox"/> 11	<input type="checkbox"/> 12	
	Short	<input type="checkbox"/> 11 ¹	<input type="checkbox"/> 12	<input type="checkbox"/> 13	<input type="checkbox"/> 14	
	Medium	<input type="checkbox"/> 13	<input type="checkbox"/> 14	<input type="checkbox"/> 15	<input type="checkbox"/> 16	
	Tall	<input type="checkbox"/> 15	<input type="checkbox"/> 16	<input type="checkbox"/> 17	<input type="checkbox"/> 18	
Fixed Height (Straight or 1" Inward Offset)		<input type="checkbox"/> 9 ¹	<input type="checkbox"/> 10 ¹	<input type="checkbox"/> 11 ¹	<input type="checkbox"/> 12	<input type="checkbox"/> 13
		<input type="checkbox"/> 14	<input type="checkbox"/> 15	<input type="checkbox"/> 16	<input type="checkbox"/> 17	<input type="checkbox"/> 18
Fixed Height 2" Offset		<input type="checkbox"/> 11 ¹	<input type="checkbox"/> 12 ¹	<input type="checkbox"/> 13 ¹	<input type="checkbox"/> 14 ¹	
		<input type="checkbox"/> 15	<input type="checkbox"/> 16	<input type="checkbox"/> 17		

¹ Not available with Fold Down Push Handle

Stroller Handle

Stroller Handles are removable and height adjustable

- Ergo Stroller Handle _____ \$185
 - Single Straight Stroller Handle _____ \$165
 - Double Straight Stroller Handle _____ \$330
- Not available with Push Handles or 8"-10" Seat Widths*

Height Adjustable Back Post Option

Selection required with Height Adjustable Back Post. Each Offset Back Post is offset 1/2" creating 1" overall offset.

- Standard _____ N/C
 - 1" Inward Offset _____ N/C
- Not available with 8" Seat Width*

Fixed Height Back Post Option

Selection required with Fixed Height Back Post. Uses 1" tubes compatible with after-market backs. Not available with back upholstery. 2" Inward or Outward Offset Back Posts are offset 1" creating 2" overall offset. 1" Offset Back Post is offset 1/2" creating 1" overall offset.

- Straight _____ N/C
- 1" Inward Offset _____ N/C
- Not available with 8" Seat Widths*
- 2" Inward Offset _____ \$95
- Not available with 8" or 9" Seat Widths*
- 2" Outward Offset _____ \$95
- Not available with Swing Away Armrests or 8" and 9" Seat Widths*

Push Handle

- Omit Push Handle _____ N/C
- Standard Push Handle _____ N/C
- Fold Down Push Handle _____ \$100
- Not available on Height Adjustable Back Posts with 9"-11" Back Heights or Offset Back Posts with 11" - 14" Back Heights*
- Bolt-On Push Handle _____ \$175
- Handles will be 1" - 2" above back height*

Front Seat Height and Casters

Caster Size / Front Seat Height

Select Front Seat Height in row corresponding to desired Caster Size.

Front Seat Height is measured from floor to top of seat tube at front of seat sling. Adjustable up or down by 1/2". See reference E on page 6.

Caster Size	Front Seat Height														
3"	<input type="checkbox"/> 11.5	<input type="checkbox"/> 12	<input type="checkbox"/> 12.5	<input type="checkbox"/> 13	<input type="checkbox"/> 13.5	<input type="checkbox"/> 14	<input type="checkbox"/> 14.5	<input type="checkbox"/> 15	<input type="checkbox"/> 15.5	<input type="checkbox"/> 16	<input type="checkbox"/> 16.5	<input type="checkbox"/> 17	<input type="checkbox"/> 17.5	<input type="checkbox"/> 18	<input type="checkbox"/> 18.5
4"	<input type="checkbox"/> 12.5	<input type="checkbox"/> 13	<input type="checkbox"/> 13.5	<input type="checkbox"/> 14	<input type="checkbox"/> 14.5	<input type="checkbox"/> 15	<input type="checkbox"/> 15.5	<input type="checkbox"/> 16	<input type="checkbox"/> 16.5	<input type="checkbox"/> 17	<input type="checkbox"/> 17.5	<input type="checkbox"/> 18	<input type="checkbox"/> 18.5	<input type="checkbox"/> 19	<input type="checkbox"/> 19.5
5"	<input type="checkbox"/> 13.5	<input type="checkbox"/> 14	<input type="checkbox"/> 14.5	<input type="checkbox"/> 15	<input type="checkbox"/> 15.5	<input type="checkbox"/> 16	<input type="checkbox"/> 16.5	<input type="checkbox"/> 17	<input type="checkbox"/> 17.5	<input type="checkbox"/> 18	<input type="checkbox"/> 18.5	<input type="checkbox"/> 19	<input type="checkbox"/> 19.5	<input type="checkbox"/> 20	<input type="checkbox"/> 20.5
6"	<input type="checkbox"/> 14.5	<input type="checkbox"/> 15	<input type="checkbox"/> 15.5	<input type="checkbox"/> 16	<input type="checkbox"/> 16.5	<input type="checkbox"/> 17	<input type="checkbox"/> 17.5	<input type="checkbox"/> 18	<input type="checkbox"/> 18.5	<input type="checkbox"/> 19	<input type="checkbox"/> 19.5	<input type="checkbox"/> 20	<input type="checkbox"/> 20.5		

Caster Type

- .75" Rollerblade _____ N/C
- Not available with 5" and 6" Caster Sizes*
- .75" Lighted Rollerblade _____ \$70
- Not available with 6" Caster Size*
- 1" Poly _____ N/C
- Not available with 3" Caster Size*
- 1" Poly Aluminum _____ \$100
- Not available with 3" and 6" Caster Sizes*
- 1" Pneumatic _____ \$80
- Not available with 3", 4" and 5" Caster Sizes*
- 1.5" Poly _____ \$50
- Not available with 3" Caster Size*
- 1.5" Soft Roll Aluminum _____ \$175

Fork Options

- Standard Fork _____ Std
- Single Sided Fork _____ \$125
- Frog Legs Ultra-Sport Fork - Black E1015 _____ \$425
- Not included in Colored Anodizing Package*
- Frog Legs PHASE 2 Carbon Fork **New!** _____ \$425
- Lightweight shock absorbing fork. Not included in Colored Anodizing Package.*

Footrest

- Footplate**
- Aluminum Angle Adjustable K0040 _____ \$95
Not available with Front Seat Heights less than 14.5"
 - Aluminum Angle Adjustable with Riser K0040, K0037 _____ \$185
Not available with Front Seat Heights less than 14.5"
 - High Mount Aluminum Angle Adjustable K0040, K0037 _____ \$160
 - Angle Adjustable Flip Under K0040, K0037 _____ \$185
Not available with footrest widths less than 9" or with Front Seat Heights less than 15". See reference F on page 6.
 - High Mount Angle Adjustable Flip Under K0040, K0037 _____ \$270

Seat to Footrest Length

Measured from front edge of seat sling to top, rear of footrest. Footrest length at least 2.5" shorter than Front Seat Height recommended. See reference G on page 6.

<input type="checkbox"/> 5.5"	<input type="checkbox"/> 6"	<input type="checkbox"/> 6.5"	<input type="checkbox"/> 7"
<input type="checkbox"/> 7.5"	<input type="checkbox"/> 8"	<input type="checkbox"/> 8.5"	<input type="checkbox"/> 9"
<input type="checkbox"/> 9.5"	<input type="checkbox"/> 10"	<input type="checkbox"/> 10.5"	<input type="checkbox"/> 11"
<input type="checkbox"/> 11.5"	<input type="checkbox"/> 12"	<input type="checkbox"/> 12.5"	<input type="checkbox"/> 13"
<input type="checkbox"/> 13.5"	<input type="checkbox"/> 14"	<input type="checkbox"/> 14.5"	<input type="checkbox"/> 15"
<input type="checkbox"/> 15.5"	<input type="checkbox"/> 16"	<input type="checkbox"/> 16.5"	<input type="checkbox"/> 17"
<input type="checkbox"/> 17.5"	<input type="checkbox"/> 18"		

Rear Seat Height and Wheels

Wheel Size / Rear Seat Height

Select Rear Seat Height in row corresponding to desired Wheel Size. For proper setup, selection is required when omitting rear wheels. Measured from floor to top of seat tube at front of back post. Rear Seat Height is custom to needs. See reference H on page 6.

Wheel Size	Rear Seat Height															
18"	<input type="checkbox"/> 11.5 ¹	<input type="checkbox"/> 12	<input type="checkbox"/> 12.5	<input type="checkbox"/> 13	<input type="checkbox"/> 13.5	<input type="checkbox"/> 14	<input type="checkbox"/> 14.5	<input type="checkbox"/> 15	<input type="checkbox"/> 15.5	<input type="checkbox"/> 16	<input type="checkbox"/> 16.5	<input type="checkbox"/> 17	<input type="checkbox"/> 17.5	<input type="checkbox"/> 18	<input type="checkbox"/> 18.5	<input type="checkbox"/> 19
20"	<input type="checkbox"/> 12.5 ¹	<input type="checkbox"/> 13	<input type="checkbox"/> 13.5	<input type="checkbox"/> 14	<input type="checkbox"/> 14.5	<input type="checkbox"/> 15	<input type="checkbox"/> 15.5	<input type="checkbox"/> 16	<input type="checkbox"/> 16.5	<input type="checkbox"/> 17	<input type="checkbox"/> 17.5	<input type="checkbox"/> 18	<input type="checkbox"/> 18.5	<input type="checkbox"/> 19	<input type="checkbox"/> 19.5	<input type="checkbox"/> 20
22"	<input type="checkbox"/> 13.5 ¹	<input type="checkbox"/> 14	<input type="checkbox"/> 14.5	<input type="checkbox"/> 15	<input type="checkbox"/> 15.5	<input type="checkbox"/> 16	<input type="checkbox"/> 16.5	<input type="checkbox"/> 17	<input type="checkbox"/> 17.5	<input type="checkbox"/> 18	<input type="checkbox"/> 18.5	<input type="checkbox"/> 19	<input type="checkbox"/> 19.5	<input type="checkbox"/> 20		
24"	<input type="checkbox"/> 14.5 ¹	<input type="checkbox"/> 15	<input type="checkbox"/> 15.5	<input type="checkbox"/> 16	<input type="checkbox"/> 16.5	<input type="checkbox"/> 17	<input type="checkbox"/> 17.5	<input type="checkbox"/> 18	<input type="checkbox"/> 18.5	<input type="checkbox"/> 19	<input type="checkbox"/> 19.5	<input type="checkbox"/> 20				

¹ Available only with Low Profile Rear Tire Type

One Arm Drive

- One Arm Drive E0958 _____ \$1495
Available only with 20", 22" and 24" Mag wheels. Not available with 0°, 6° or 8° camber or 10" Seat Width. 2° Camber required with One Arm Drive and Height Adjustable T-Arm combination. Axle not quick release. Standard Handrim will be Aluminum Anodized.
- Drive Handrim Side: Left Right
- Drive Handrim Type: Aluminum _____ N/C
 Poly Coated _____ \$200

Rear Wheel Type

- Spoke _____ N/C
- Mag (Black) _____ \$50
Not available in 18" rear wheel
- Colored Mag _____ \$100
Available only in 20" and 22" rear wheels
Color: Florescent Red White Blue Pink
- Spinergy Spox _____ \$795
Not available in 18" rear wheel
Color: Black Red White Blue Yellow
Handrim: Short Tab Long Tab
Available only with Aluminum Anodized and Plastic Coated Handrims
- Spinergy LX _____ \$995
Not available in 18" or 20" rear wheels
Color: Black Red White Blue Yellow
 Pink Green Orange
Handrim: Short Tab Long Tab
Available only with Aluminum Anodized and Plastic Coated Handrims
- Omit Rear Wheels _____ N/C

Rear Tire Type

- Full Profile**
- Street Pneumatic 1 3/8" E2211, E2212 _____ Std
 - Full Poly 1 3/8" E2218 _____ \$75
 - Pneumatic with Airless Insert 1 3/8" E2211, E2213 _____ \$95
- Low Profile**
- Low Poly 1" E2218 _____ \$75
 - High Pressure 1" E2211, E2212 _____ \$95
Not available on Mag or 18" rear wheel
 - Schwalbe Marathon Plus Evolution 1" E2211, E2212 _____ \$125
Available only on 24" Spoke or Spinergy wheels

Handrim

No selection needed with One Arm Drive

- Standard Handrims**
- Aluminum Anodized _____ Std
 - Plastic Coated _____ \$95
 - Projection (8 Vertical Projections) _____ \$315
Available on 22" and 24" Spoke rear wheels & 24" Mag wheels with full tires
 - Omit Handrim
- Natural Fit Handrims**
- Not available on 18" or 20" rear wheels or 22" Mag wheels. Not recommended with Mag wheels.*
- Natural Fit LT Regular Grip _____ \$445
 - Natural Fit Standard Regular Grip _____ \$445
 - Natural Fit LT Super Grip _____ \$495
 - Natural Fit Standard Super Grip _____ \$495
 - Natural Fit LT Omit Grip _____ \$345
 - Natural Fit Standard Omit Grip _____ \$345

Handrim Option

- 3M Micro Grip _____ \$65
Not available on Plastic Coated or Projection Handrims

Rear Seat Height and Wheels continued

Wheelchair Drive Ready

Chair will ship from Ki Mobility with adaption kit installed for selected Alber system. Order system separately from Alber USA. Select Rear Seat Height (full profile selections only) in drive wheel size on Rear Seat Height chart (page 3). Requires Rear Anti-Tips. Not available with 5th Wheel or Spinergy wheels.

- e-motion Ready _____ N/C
- twion Ready _____ N/C

Camber Selection: 0° 3°

Rear Wheel Spacing

Adjustable up to .5" outward. Minimum spacing with offset frame is 1.25" with 0° camber, 1" with 2° or 4° camber and .75" with 6° or 8° camber. .75" minimum with 0° camber on standard frame. No selection needed with One Arm Drive or Wheelchair Drive Ready option. See Reference J on page 6.

- .5" .75" 1" 1.25" 1.5" 1.75"

Rear Wheel Camber

0° Camber and Mag wheel combination requires 1" minimum Rear Wheel Spacing

- 0° 2° 4° 6° 8°

Wheel Locks

Wheel Lock

- Push to Lock _____ Std
- Push to Lock Flush Mount _____ N/C
Not available with Seat Depths less than 11" or Offset Frame
- Pull to Lock _____ N/C
- Low Profile Scissor Lock _____ \$45
Not available with Low Poly tire or Offset Frame
- Short Thro Scissor Lock _____ \$125
- Omit Wheel Locks _____ N/C

Armrests

Armrest Please select Arm Pad option

- Height Adjustable T-Arm (8.5" - 13.5") E0973 _____ \$265
Not available with Seat Depths less than 13". 16" minimum Seat Depth with Offset Frame. 1.25" minimum Rear Wheel Spacing.
- Height Adjustable T-Arm Low (7.5" - 11.5") E0973 _____ \$265
Not available with Seat Depths less than 12". 13" minimum Seat Depth with Offset Frame. 1.25" minimum Rear Wheel Spacing.
- Height Adjustable Pediatric Desk (6.5" - 10") E0973 _____ \$225
Not available with Seat Depths less than 12". 13" minimum Seat Depth with Offset Frame. 1.25" minimum Rear Wheel Spacing.
- Angle Adjustable Locking Extendable Flip Up E0973 _____ \$265
Requires Fixed Height Backrest. Not available with backrest heights less than 12".

Side Guards

Removable Side Guards

Not available with Height Adjustable Armrests

- Composite Side Guards - Adult (14" - 16") K0108 _____ \$140
Seat Depth plus Sling Position must be at least 12"
- Composite Side Guards - Pediatric (10" - 14") K0108 _____ \$140
Seat Depth plus Sling Position must be at least 10"

Center of Gravity Preset

Measured from front of back post to center of rear axle. 0" indicates axle will be directly under back post. 2" minimum Center of Gravity with 5th Wheel and One Arm Drive. See reference I on page 6.

Amputee Positions

<input type="checkbox"/> -1.5"	<input type="checkbox"/> -1.25"	<input type="checkbox"/> -1"	<input type="checkbox"/> -.75"
<input type="checkbox"/> -.5"	<input type="checkbox"/> -.25"	<input type="checkbox"/> 0"	<input type="checkbox"/> .25"

Standard Positions

<input type="checkbox"/> .5"	<input type="checkbox"/> .75"	<input type="checkbox"/> 1"	<input type="checkbox"/> 1.25"
<input type="checkbox"/> 1.5"	<input type="checkbox"/> 1.75"	<input type="checkbox"/> 2"	<input type="checkbox"/> 2.25"
<input type="checkbox"/> 2.5"	<input type="checkbox"/> 2.75"	<input type="checkbox"/> 3"	<input type="checkbox"/> 3.25"
<input type="checkbox"/> 3.5"	<input type="checkbox"/> 3.75"	<input type="checkbox"/> 4"	<input type="checkbox"/> 4.25"

Axle

- Quick Release _____ Std
- Quad Quick Release _____ \$185
Not available with Mag wheels

Wheel Lock Options

- Extension Handles E0961 _____ \$67
Available only with Push to Lock or Pull to Lock Wheel Locks
- Grade Aids E0974 _____ \$150
Available only with Push to Lock Wheel Locks and Pneumatic or Pneumatic w/ Airless Insert Rear Tire Types

Arm Pad

Not available with Tubular Flip Up or Swing Away Armrests. Full Arm Pads not available with Height Adjustable Pediatric Desk Armrests.

- Standard Arm Pad _____ N/C Desk Full
- Waterfall Arm Pad _____ \$25 Desk Full
Not available with Angle Adjustable Locking Flip Up Extendable Armrests
- Foam Grip _____ N/C Desk Full
Available only with Angle Adjustable Locking Extendable Flip Up Armrest

Armrest continued

- Tubular Flip Up _____ \$50
Not available with Arm Pads. Requires Fixed Height Backrest.
- Short Swing Away (7" - 9") E0973 _____ \$195
Not available with Arm Pads or Outward Offset Back Posts. If selection is not available with rear wheel and rear seat height configuration, then Tall Swing Away armrest will be used.
- Tall Swing Away (9.25" - 11.25") E0973 _____ \$195
Not available with Arm Pads or Outward Offset Back Posts
- Omit Armrests _____ N/C

- Fender Side Guards K0108 _____ \$250
Not available with 18 rear wheel, Rear Seat Heights less than 18" or Seat Depths less than 10". Maximum Center of Gravity is 2".

Accessories

5th Wheel

Rotating removable rear caster. Not available with Anti-Tips.

- Standard 5th Wheel E0971 _____ \$210
 - Dynamic 5th Wheel K0108 _____ \$210
- Elastomer: Soft Firm
Both elastomers are included; the selected elastomer will be installed.

Anti-Tip

Not available with 5th wheel

- Rear Anti-Tips E0971 _____ \$140

Positioning Belt

- 1" Auto Buckle E0978 _____ \$70
 - 1" Padded Auto Buckle E0978 _____ \$155
 - 1 1/2" Auto Buckle E0978 _____ \$70
 - 1 1/2" Padded Auto Buckle E0978 _____ \$155
 - 2" Airline Buckle E0978 _____ \$110
 - Bodypoint Evoflex - Pelvic Stabilizer E0978 _____ \$183
- Size: Small (16-24") Medium (19-29") Large (25-37")

Belt Mounting Kit

- Ki Mobility Belt Mounting Clamp _____ \$50

Color

Frame and Accent

Select desired frame and accent colors. Accent color is used on backrest rigidizer bar and front caster wings; if no accent color is selected, frame color will be used.

<u>Gloss Finish</u>		<u>Frame</u>	<u>Accent</u>
Black _____	N/C	<input type="checkbox"/>	<input type="checkbox"/>
Blue Skies _____	N/C	<input type="checkbox"/>	<input type="checkbox"/>
Bubblegum Pink _____	N/C	<input type="checkbox"/>	<input type="checkbox"/>
Candy Blue _____	N/C	<input type="checkbox"/>	<input type="checkbox"/>
Candy Purple _____	N/C	<input type="checkbox"/>	<input type="checkbox"/>
Candy Red _____	N/C	<input type="checkbox"/>	<input type="checkbox"/>
Copper _____	N/C	<input type="checkbox"/>	<input type="checkbox"/>
Fuchsia _____	N/C	<input type="checkbox"/>	<input type="checkbox"/>
Granny Smith _____	N/C	<input type="checkbox"/>	<input type="checkbox"/>
Silver _____	N/C	<input type="checkbox"/>	<input type="checkbox"/>
Teal _____	N/C	<input type="checkbox"/>	<input type="checkbox"/>
Yellow _____	N/C	<input type="checkbox"/>	<input type="checkbox"/>

Graphic Image Transfer

Visit www.kimobility.com for current graphic image transfer options. Note selection below. Available on frame only; please choose accent color above. Does not include front caster wing.

- _____ \$595

Calf Strap

Not available with 8" or 9" wide chairs

- Velcro Adjustable K0038 _____ \$35
- Padded Velcro Adjustable K0038 _____ \$68
- Bodypoint Padded AeroMesh K0038 _____ \$102

Spoke Guards

- Clear Spoke Guards K0065 _____ \$115
Not available with Mag wheels
 - Black Spoke Guards K0065 _____ \$115
Not available with 18" or 20" rear wheels or Mag wheels
 - Designer Spoke Guards K0065 _____ \$200
Available only with 20" and 22" rear wheels. Not available with Mag wheels.
- Design:**
- Blue Monster Fairy Garden Havin' a Hoot
 - Robo Fun Rockin' Reptiles Super Puppies
 - Tutu Cute Tuxedo Time

Other Accessories

- Tool Kit _____ \$45
- Removable Underseat Pouch _____ \$50
- Pediatric Ki Mobility Backpack **New!** _____ \$65
Best fit on chairs more than 8" wide
- Ki Mobility Backpack _____ \$65
Best fit on chairs more than 10" wide
- Luggage Carrier **New!** _____ \$85
- Cane and Crutch Holder _____ \$195

<u>Matte Finish</u>		<u>Frame</u>	<u>Accent</u>
Army Green _____	N/C	<input type="checkbox"/>	<input type="checkbox"/>
Charcoal Gray _____	N/C	<input type="checkbox"/>	<input type="checkbox"/>
Emerald Green _____	N/C	<input type="checkbox"/>	<input type="checkbox"/>
Iridescent Burgundy _____	N/C	<input type="checkbox"/>	<input type="checkbox"/>
Iridescent Navy _____	N/C	<input type="checkbox"/>	<input type="checkbox"/>
Retro Red _____	N/C	<input type="checkbox"/>	<input type="checkbox"/>
Royal Blue _____	N/C	<input type="checkbox"/>	<input type="checkbox"/>
Shadow Black _____	N/C	<input type="checkbox"/>	<input type="checkbox"/>
Smooth White _____	N/C	<input type="checkbox"/>	<input type="checkbox"/>

Colored Anodizing Package

Select desired color. If no selection is made, black will be used. Included in Colored Anodizing Package: Backrest plates, camber tube, towers, CG clamps, side guard receivers, front caster forks (standard or unitine) and Dynamic 5th Wheel split clamp. Camber tube not included if Wheelchair Drive Ready is selected.

- Black _____ N/C
- Blue _____ \$165
- Bright Green _____ \$165
- Orange _____ \$165
- Pewter _____ \$165
- Pink _____ \$165
- Purple _____ \$165
- Red _____ \$165
- Gold _____ \$165

References

A. Seat Width See Diagram 1

Measured from outside of frame tube on one side to outside of frame tube on other side.

B. Seat Depth See Diagram 3

Measured from front of back posts to front edge of seat sling. Seat sling starts at beginning of bend at front of frame.

C. Front Frame Bend See Diagram 3

Angle between front seat tube and ground.

D. Sling Position See Diagram 2

With 0 Sling Position, sling is approximately 4" from the front tube. The 1" and 2" Sling Positions extend the frame in front of the sling by that amount. -1 pushes the seat 1" farther forward. See Charts 1 and 2 for more detail.

E. Front Seat Height See Diagram 1

Measured from floor to top of seat tube at front of seat sling.

F. Footrest Width See Diagram 1

Measured from inside of front tube to inside of front tube on other side. Footrest width is listed below for each seat width. See Chart 1 for more detail.

G. Seat to Footrest Length See Diagram 3

Measured from front edge of seat sling to top of rear of footrest. Footrest length of at least 2.5" shorter than front seat height recommended.

H. Rear Seat Height See Diagram 3

Measured from floor to top of seat tube at front of back post. Rear seat height is custom to needs.

I. Center of Gravity Preset See Diagram 3

Measured from front of back post to center of rear axle. 0" indicates axle will be directly under back post.

J. Rear Wheel Spacing See Diagram 1

Measured from outside of seat back to inside of rear tire. Adjustable up to .5" outward.

Chart 1

F. Footrest Width		
Seat Width	Straight Frame (Diagram 1)	Offset Frame
8"	5.75"	9"
9"	6.75"	10"
10"	7.75"	11"
11"	8.75"	12"
12"	9.75"	13"
13"	10.75"	14"
14"	11.75"	15"
15"	12.75"	16"
16"	13.75"	17"

Diagram 1

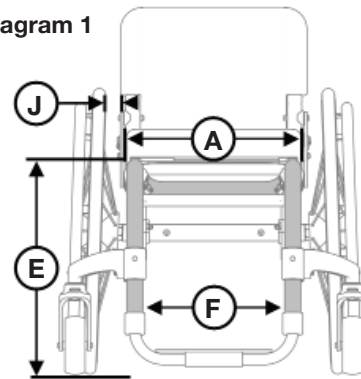


Diagram 2

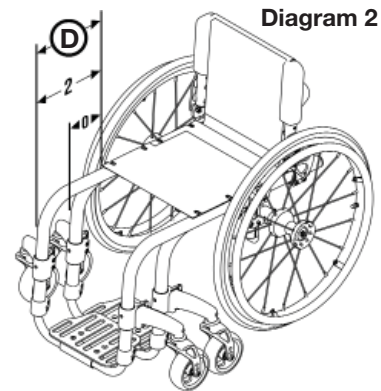


Diagram 3

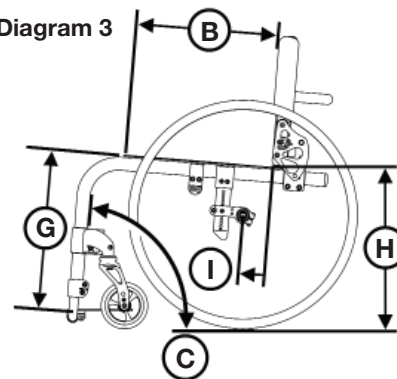


Chart 2

Sling Position / Adjustable Depth / Seat Depth Compatibility									
Sling Position	-1", 0"			1"			2"		
	1"	2"	3"	1"	2"	3"	1"	2"	3"
Seat Depth	14"								X
	15"					X		X	X
	16"			X		X	X	X	X

"X" indicates Sling Position, Adjustable Depth and Seat Depth combination is not available. -1" Sling Position, 0" Adjustable Depth and 8" - 13" Seat Depths have no restrictions.

Cushions

General Use Cushions

Not available with 8" or 9" seat widths or depths. 10" and 11" wide cushions not available with 16" depth. 15" and 16" wide cushions not available with 10-13" depths.

STEP 1: Choose Cushion

2" General Use Foam Cushion (10"x10" to 16"x16") E2601 _____ \$99

STEP 2: Choose Cushion Size

Match to Chair Size

Other Size _____

Matrx Seat Cushions

Cushion size is determined by chair dimensions. Certain sizes will have higher price and longer lead time; visit www.motionconcepts.com/matrx_international.html for size specifications.

STEP 1: Choose Cushion

Kidabra Cushion _____ \$510
Weight capacity is 150 lbs

STEP 2: Choose Cushion Size

Match to Chair Size

Other Size - Provide Part Number _____

Backs

Matrx Backs

Matrx Backs come standard with quick release mounting hardware

Mini Back _____ \$750
Not available with 16" Seat Width. Back Height of 14" not available with 10" and 11" Seat Widths. Comes standard with Kidabra cover.

Back Height:

7" 10" 12" 14"

Therafin Headrest

Available with Matrx Back Systems

Headrest, Multi-Axis Offset Hardware with Smooth/Soft Pad (E1028, E0955) 34187 _____ \$420
 PAD SIZE: 5 x 8 5 x 10 5 x 14

Other Matrx Mounting Hardware

Must provide part number

For mounting hardware other than quick release



Vest

Not compatible with Back Upholstery

- Full Shape, Comfort Strap (E0960) _____ \$167
 - Small 30589 Medium 30590 Large 30591
 - X-Large 30592 2X-Large 30593
- Full Shape, Extended Strap (E0960) _____ \$167
 - Small 30594 Medium 30595 Large 30596
 - X-Large 30597 2X-Large 30598
- Trim Shape, Comfort Strap (E0960) _____ \$169
 - Small 30618 Medium 30619 Large 30620
 - X-Large 30621 2X-Large 30622
- Trim Shape, Extended Strap (E0960) _____ \$169
 - Small 30604 Medium 30624 Large 30625
 - X-Large 30626 2X-Large 30627

Shoulder Harness

With metal clips and cam locks. Not compatible with Back Upholstery.

- Small (E0960) 61403 _____ \$157
- Medium (E0960) 61503 _____ \$164
- Large (E0960) 61703 _____ \$170
- X-Large (E0960) 61803 _____ \$177

Hip Belt

- 4 Point Y-Style, Metal Buckle (E0978) _____ \$173
 - Small 60024 Medium 60025 Large 60026
- Dual Rear Pull, Metal Attaching Clips (E0978)
 - 1" Straps, 6.25"W x 1.75"H Pads 60161 _____ \$97
 - 1.5" Straps, 7.25"W x 2.25"H Pads 60171 _____ \$106
 - 1.5" Straps, 9.25"W x 2.5"H Pads 60181 _____ \$106
- Single Pull, Metal Buckle (E0978)
 - 1" Straps, 4.25"W x 1.75"H Pads 61001 _____ \$86
 - 1" Straps, 6.25"W x 1.75"H Pads 61201 _____ \$86
 - 1.5" Straps, 5.25"W x 2.25"H Pads 62001 _____ \$95
 - 1.5" Straps, 9.25"W x 2.5"H Pads 62201 _____ \$95
 - 2" Straps, 9.25"W x 3"H Pads 64001 _____ \$102
 - 2" Straps, 11.25"W x 3"H Pads 64101 _____ \$102

Cane Mounted Swing Away Lateral Thoracic Support

Sold as pair. Not compatible with Back Upholstery.

- Swing Away Kits w/ 4"x6" Gel Pads (E0956, E1028) 50021 _____ \$478
- Swing Away Kits, No Pads (E0956, E1028) 50022 _____ \$309

Foot / Shoe Holder

Compatible only with Angle Adjustable Footplates

- FootSure Ankle Support (K0108) _____ \$178
 - Sold in pairs*
 - X-Small w/ Buckle Closure, 6"-8" Circum. 60250
 - Small w/ Buckle Closure, 7"-8.5" Circum. 60251
 - Medium w/ Buckle Closure, 8"-11" Circum. 60252
 - Large w/ Buckle Closure, 9"-12" Circum. 60253
 - X-Large w/ Buckle Closure, 12.5"-15" Circum. 60254
 - X-Small w/ Hook-N-Loop Closure, 5"-6" Circum. 60255
 - Small w/ Hook-N-Loop Closure, 6"-8" Circum. 60256
 - Med w/ Hook-N-Loop Closure, 8"-10.5" Circum. 60257
 - Large w/ Hook-N-Loop Closure, 9"-12" Circum. 60258
 - X-Lrg w/ Hook-N-Loop Closure, 12"-15" Circum. 60259
- Padded Footbox (K0108)
 - Small, Full Design, Fits 14" Chair 30111 _____ \$287
 - Medium, Full Design, Fits 16" Chair 30112 _____ \$293
 - Large, Full Design, Fits 18" Chair 30113 _____ \$298
 - Small, Split Design, Fits 14" Chair 30152 _____ \$367
 - Medium, Split Design, Fits 16" Chair 30153 _____ \$373
 - Large, Split Design, Fits 18" Chair 30154 _____ \$378
- Molded Shoe Holders (K0108) _____ \$162
 - Sold in pairs*
 - Small with Plain Straps, 3.5" x 5.25" 30293
 - Medium with Plain Straps, 4" x 6.5" 30303
 - Large with Plain Straps, 4.75" x 8" 30309
 - X-Large with Plain Straps, 5" x 10" 30316



Half Tray

Not compatible with Swing Away or Tubular Flip Up Armrests

- Standard Shape, Clear, Flip-Away (E0956, E1028) _____ \$246
 - Right Side 41310 Left Side 41311
- Standard Shape, Padded, Flip-Away (E0956, E1028) _____ \$269
 - Right Side 41350 Left Side 41353
- Trimline Shape, Padded, Flip-Away (E0956, E1028) _____ \$269
 - Right Side 41352 Left Side 41351

Clear Tray with Border and Pre-Drilled Holes

STEP 1: Choose Tray

Chair Width	Tray Dimension (W x D)	Body Cutout (W x D)	HCPCS	Part Number	Price	
10"	17 x 15	7.5 x 4.5, H2.75	E0955	33203	\$209	<input type="checkbox"/>
11"	17 x 15	7.5 x 4.5	E0950	33204	\$209	<input type="checkbox"/>
	17 x 15	8 x 5	E0950	33205	\$220	<input type="checkbox"/>
12"	18 x 16	8.5 x 5	E0950	33206	\$220	<input type="checkbox"/>
	18 x 16	9.5 x 5.5	E0950	33207	\$220	<input type="checkbox"/>
13"	19 x 18	9.5 x 5.5	E0950	33208	\$220	<input type="checkbox"/>
	19 x 18	10.5 x 6	E0950	33209	\$220	<input type="checkbox"/>
14"	20 x 18	10.5 x 6	E0950	33210	\$220	<input type="checkbox"/>
	20 x 18	11.5 x 6.5	E0950	33211	\$220	<input type="checkbox"/>
15"	21 x 18	11.5 x 6.5	E0950	33212	\$220	<input type="checkbox"/>
	21 x 18	12.5 x 7	E0950	33213	\$220	<input type="checkbox"/>
16"	22 x 21	12.5 x 7.5	E0950	33214	\$255	<input type="checkbox"/>
	22 x 21	13.5 x 8.5	E0950	33215	\$255	<input type="checkbox"/>

STEP 2: Choose Tray Hardware

- E-Z Lock Clamps, Tube Arm (E1028) 31072 _____ \$150
Available only with Short Swing Away, Tall Swing Away, Tubular Flip Up and Angle Adjustable Locking Extendable Flip Up with Foam Grip Armrests. Sold in Pairs.
- E-Z Lock Clamps, Standard (E1028) 31098 _____ \$142
Not available with Short Swing Away, Tall Swing Away, Tubular Flip Up and Angle Adjustable Locking Extendable Flip Up with Foam Grip Armrests. Sold in Pairs.

Communication Mount Hardware

Choose Device Holder AND Mount

STEP 1: What DEVICE will be used?

- Smart Phone 32359 _____ \$150
- Large Smart Phone 32354 _____ \$150
- I-Pad 32355 _____ \$184
- I-Pad Mini 32356 _____ \$178
- 7" Tablet 32357 _____ \$173
- 10" Tablet 32358 _____ \$395

STEP 2: Where does it need to MOUNT?

- Armrest 32351 _____ \$395
Not compatible with Swing Away or Tubular Flip Up Armrests
- Tray 32352 _____ \$212