

Company:

Ship To:

Account Number:

Date:

Address:

Quote: PO Number:

City:

State:

ATP:

Zip:

Phone:

Marked For:

Email/Fax:

Associated Quote/Order#:

**Submit Form**

Effective: 1/10/2024

Focus CR - Transit Not Included £3650

300 lb weight capacity Includes one time free growth kit Tilt range: -5° anterior to 50° posterior

## Frame

### Frame Width

Select Frame Width within desired Frame Width Range

Frame Width	Frame Width				
Small 14" - 18" [FTFRW001]	14 [FTSWT01 4] N/C	15 [FTSWT01 5] N/C	16 [FTSWT01 6] N/C	17 [FTSWT01 7] N/C	18 [FTSWT01 8] N/C
Medium 16" - 20" [FTFRW002]	16 [FTSWT01 6] N/C	17 [FTSWT01 7] N/C	18 [FTSWT01 8] N/C	19 [FTSWT01 9] N/C	20 [FTSWT02 0] N/C
Large 18" - 22" [FTFRW003]	18 [FTSWT01 8] N/C	19 [FTSWT01 9] N/C	20 [FTSWT02 0] N/C	21 [FTSWT02 1] N/C	22 [FTSWT02 2] N/C
Extra Large 20" - 24" [FTFRW008]	20 [FTSWT02 0] N/C	21 [FTSWT02 1] N/C	22 [FTSWT02 2] N/C	23 [FTSWT02 3] £634	24 [FTSWT02 4] £634

1 400 lb Weight Capacity is required

### Seating Setup

Make one selection from either Option 1 at right or Option 2 below based on desired seating setup

Setup By Ki Mobility (Option 1) [FTSTP001] N/C

Select Seat Depth corresponding to desired Frame Depth Range row and Backrest Offset column. Note: All Seat Depths in a column and within the same frame depth range are achievable with future adjustment.

Setup by Frame Depth (Option 2) [FTSTP002] N/C

Select Frame Depth within desired Frame Depth Range

### Frame Depth

Select Frame Depth within desired Frame Depth Range

Frame Depth	Frame Width				
Short 14" - 18" [FTFDR004]	14 [FTFDE01 4] N/C	15 [FTFDE01 5] N/C	16 [FTFDE01 6] N/C	17 [FTFDE01 7] N/C	18 [FTFDE01 8] N/C
Medium 16" - 20" [FTFDR005]	16 [FTFDE01 6] N/C	17 [FTFDE01 7] N/C	18 [FTFDE01 8] N/C	19 [FTFDE01 9] N/C	20 [FTFDE02 0] £424
Long 18" - 22" [FTFDR006]	18 [FTFDE01 8] N/C	19 [FTFDE01 9] N/C	20 [FTFDE02 0] £424	21 [FTFDE02 1] £424	22 [FTFDE02 2] £725

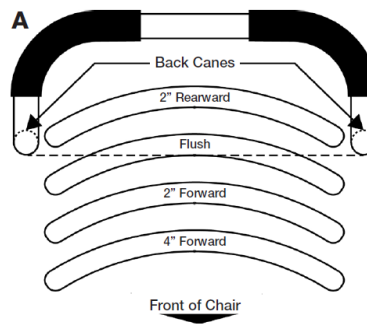
### Backrest Position

Select Seat Depth corresponding to desired Frame Depth Range row and Backrest Offset column.

Note: All Seat Depths in a column and within the same frame depth range are achievable with future adjustment.

Frame Depth Range	Backrest Offset A						
	-2"	-1"	Flush	+1"	+2"	+3"	+4"
Short [FTFDR001]	Seat Depth						
	16"	15"	14"				
	17"	16"	15"	14"			
	18"	17"	16"	15"	14"		
	19"	18"	17"	16"	15"	14"	
Medium [FTFDR002]	20" <sup>1</sup>	19"	18"	17"	16"	15"	14"
	18"	17"	16"	15"	14"		
	19"	18"	17"	16"	15"	14"	
	20" <sup>1</sup>	19"	18"	17"	16"	15"	14"
	21" <sup>1</sup>	20" <sup>1</sup>	19"	18"	17"	16"	15"
Long [FTFDR003]	22" <sup>2</sup>	21" <sup>1</sup>	20" <sup>1</sup>	19"	18"	17"	16"
	20" <sup>1</sup>	19"	18"	17"	16"	15"	14"
	21" <sup>1</sup>	20" <sup>1</sup>	19"	18"	17"	16"	15"
	22" <sup>2</sup>	21" <sup>1</sup>	20" <sup>1</sup>	19"	18"	17"	16"
		22" <sup>2</sup>	21" <sup>1</sup>	20" <sup>1</sup>	19"	18"	17"
		22" <sup>2</sup>	21" <sup>1</sup>	20" <sup>1</sup>	19"	18"	

1 Price is 502€ 2 Price is 851€



## Frame Options

Seat Options	Offset Option
<b>Seat Pan</b> Growing Adjustable Aluminum Seat Pan [FTACC004] £134 Omit Seat Pan [FTACC021] N/C	Offset Hanger with Tilt Stops [FTHAN015] N/C <i>Tilt Stop included. No anterior tilt.</i>
<b>Weight Capacity</b> 300 lbs [FTSTD001] N/C 400 lbs (Heavy Duty) [FTHVD001] £574 <i>Available only with Long Frame Depth Range and 8" x 2" or 6" x 2" Casters</i>	<b>Vent and Battery Tray</b> <i>Requires minimum 16" Seat Height. Not available on 14" or 15" Frame Widths, Attendant Foot Lock, 12" wheels, One Arm Drive, 5" casters</i> Vent Tray [FTACC016] £303 <i>Not available with Self Propel Axle Plate or Foot Tilt. Requires Anti-Tip.</i> Battery Box Holder [FTACCO17] £303 <i>Available only with Dual Hand Tilt</i> Vent Tray and Battery Box Holder [FTACC037] £604 <i>Requires Anti-Tip. Available only with Dual Hand Tilt. Not available with Self Propel Axle Plate.</i>
<b>Transit</b> Transit System [FTTRNOPT] N/C Omit Transit [FTTRNOP2] N/C	

## Tilt Mechanism

Hand Tilt - Right [FTTLT002]	N/C
Hand Tilt - Left [FTTLT003]	N/C
Hand Tilt - Dual [FTTLT008]	N/C
Foot Tilt - Right [FTTLT004]	N/C
Foot Tilt - Left [FTTLT005]	N/C

## Backrest

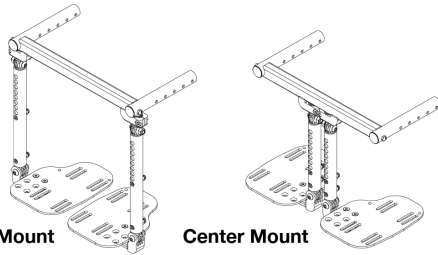
Backrest	Stroller Handle Extensions
Stroller Handle Back Post (Short 20") [FTBOP016] N/C Stroller Handle Back Post (Tall 24") [FTBOP017] N/C Fixed Height Back with Adjustable Handle (Short 22") [FTBOP030] N/C <i>Not available with Dynamic Back</i> Fixed Height Back with Adjustable Handle (Tall 26") [FTBOP031] N/C <i>Not available with Dynamic Back</i> Adjustable Height Back with Adjustable Handle (Short 18" - 25") [FTBOP018] N/C <i>Not available with O2 Holder or Dynamic Back</i> Adjustable Height Back with Adjustable Handle (Tall 20" - 27") [FTBOP019] N/C <i>20"-22" Heights not available with Dynamic Back</i> Reclining Back with Adjustable Handle (Short 22") (Non-Folding) [FTBOP020] £1087 <i>Not available with O2 Holder or Dynamic Back. If no Recline Angle and Gas Spring selections are made, 0° - 65° and Standard Spring will be used.</i> Reclining Back with Adjustable Handle (Tall 26") (Non-Folding) [FTBOP021] £1087 <i>Not available with O2 Holder or Dynamic Back. If no Recline Angle and Gas Spring selections are made, 0° - 65° and Standard Spring will be used.</i>	<i>Available only with Stroller Handle Back Post</i> Removable Stroller Handle Extension [FTBOP012] £110
<b>Backrest Height</b> <i>Required when Adjustable Height Back with Adjustable Handle Back Post is selected</i> 18" [FTBRH180] <sup>1</sup> 19" [FTBRH190] <sup>1</sup> 20" [FTBRH200] 21" [FTBRH210]    22" [FTBRH220]    23" [FTBRH230] 24" [FTBRH240]    25" [FTBRH250]    26" [FTBRH260] <sup>2</sup> 27" [FTBRH270] <sup>2</sup> N/C <sup>1</sup> Available only with Short <sup>2</sup> Available only with Tall	<b>Other Backrest Options</b> Non Folding Back [FTBCK005] N/C <i>Standard with Reclining Back and Dynamic Back</i> Dynamic Back (E2398) [FTBOP014] £1932 <i>Available only with Non Folding Back. Not available with Angle Adjustable Locking Extendable Flip Up Armrest or 400 lb Weight Capacity.</i> Adjustable Height Rigidizer Bar [FTBCK001] £73 <i>Not available with 23" or 24" frame widths</i>
	<b>Reclining Back Options</b> <i>Required when Reclining Back is selected</i> <b>Recline Angle</b> 0-65° Recline Angle (E1225) [FTRECO01] N/C 10-75° Recline Angle (E1225) [FTRECO02] N/C 20-85° Recline Angle (E1226) [FTRECO03] N/C
	<b>Gas Spring</b> Standard Spring [FTGSP001] N/C Heavy Duty Spring [FTGSP002] N/C

## Footrest

### Footrest Hanger Type

Hanger	60°	70°	80°	90°	Retail
Extension Tube Mount	[FTHAN001]	[FTHAN002]	[FTHAN003] <sup>1</sup>		N/C
Front Mount		[FTHAN016]	[FTHAN017] <sup>1</sup>	[FTHAN004] <sup>2</sup>	N/C
Pro Elevating Leg Rests					[FTHAN044] £290
Contracture Footrest Bilateral Mount <sup>3</sup>					[FTHAN041] £387
Contracture Footrest Center Mount <sup>3</sup>					[FTHAN040] £387
Omit Hangers					[FTHAN046] N/C

- <sup>1</sup> 7" and 8" Casters may interfere with less than 5° tilt
- <sup>2</sup> Not available with 7" or 8" Casters
- <sup>3</sup> Aluminum Angle Adjustable footplates included. See image to right.



### PRO ELR Cover

Available only on PRO ELR

Gel Pad Covers (PAIR) [FTELRPAD] £304

### 3" Extension

Available only with Front Mount Hangers.

3" Extension [FTEXT008] N/C

3" Extension (Provided as Parts) [FTEXT018] £49

### Seat to Footrest Length

Footrest	Extension	Seat to Footrest Length												
		10"	10.5"	11"	11.5"	12"	12.5"	13"	13.5"	14"	14.5"			
Extension Tube Hangers (60°,70°,80°)	Short (10" - 13.5")	10"	10.5"	11"	11.5"	12"	12.5"	13"	13.5"	14"	14.5"			
	Medium (11.5" - 15.5")	11.5"	12"	12.5"	13"	13.5"	14"	14.5"	15"	15.5"				
	Long (14" - 18")	14"	14.5"	15"	15.5"	16"	16.5"	17"	17.5"	18"				
Front Mount Hangers <sup>1</sup>	Short Front Mount Hanger	Standard Selections										Requires 3" Extension		
		4" <sup>2</sup>	4.5" <sup>2</sup>	5"	5.5"	6"						8.5"	9"	9.5"
	Medium Front Mount Hanger	6.5"	7"	7.5"	8"							10"	10.5"	11"
		4" <sup>2</sup>	4.5" <sup>2</sup>	5"	5.5"	6"	6.5"	7"				10.5"	11"	11.5"
	Long Front Mount Hanger	7.5"	8"	8.5"	9"	9.5"	10"					12"	12.5"	13"
		5"	5.5"	6"	6.5"	7"	7.5"	8"	8.5"			12.5"	13"	13.5"
Contracture Footrest	9"	9.5"	10"	10.5"	11"	11.5"	12"				14"	14.5"	15"	
	Short (10" - 13.5")	10.5"	11"	11.5"	12"	12.5"	13"	13.5"	14"	14.5"				
	Medium (11.5" - 15.5")	13.5"	14"	14.5"	15"	15.5"	16"	16.5"	17"	17.5"				
PRO ELR Low Pivot Setting	Long (14" - 18")	16.5"	17"	17.5"	18"	18.5"	19"	19.5"	20"	20.5"				
	PRO ELR Low Pivot Setting Short (10.5" - 15.5")	10.5" - 15.5"												
PRO ELR High Pivot Setting	PRO ELR Low Pivot Setting Long (13" - 19")	13" - 19"												
	PRO ELR High Pivot Setting Short (8.5" - 17")	8.5" - 17"												
PRO ELR High Pivot Setting	PRO ELR High Pivot Setting Long (11.5" - 17.5")	11.5" - 17.5"												

<sup>1</sup> See Minimum Front Seat Height chart below

<sup>2</sup> Available with 90° only

Minimum Front Seat Height with Front Mount Hangers						
Hanger Length	Short		Medium		Long	
	70°	80/90°	70°	80/90°	70°	80°
Minimum Front Seat Height with Standard Selection	13"	13"	13"	13.5"	14.5"	15.5"
Minimum Front Seat Height with 3" Extension	13.5"	14"	15.5"	16"	17"	18"

## Footplates

*No selection needed with Contracture Footrest*

Composite [FTFPL001]	N/C
<i>Not available with Front Mount Hanger</i>	
Composite Angle Adjustable [FTFPL014]	£110
<i>Not available with Front Mount Hanger or 14" Seat Width without Offset Hanger</i>	
Aluminum Angle Adjustable [FTFPL002]	£110
Aluminum Locking Multi-Angle Adjustable [FTFPL020]	£303
<i>Available only with Front Mount Hanger</i>	
One Piece Flip Up Angle Adjustable [FTFPL009]	£170
<i>Not available with Front Mount Hanger or PRO ELR</i>	

## Hanger Release

*No selection needed with Contracture Footrest. If no selection is made 4-Way - In line Hanger Release will be used.*

Classic [FTRELO01]	N/C
4-Way - In-Line [FTRELO02]	N/C
4-Way - Out [FTRELO03]	N/C

## Heel Loops

*Not available with One Piece Flip Up Angle Adjustable Footplate*

Heel Loops [FTACC008]	£37
Adjustable Heel Loops [FTACC029]	£49
Omit Heel Loops [FTACC011]	N/C

## Calf Straps

Velcro Adjustable [FTACC002]	£49
Padded Velcro Adjustable [FTACC003]	£67
Bodypoint Padded AeroMesh [FTACC010]	£103

## Residual Limb Support

	Limb Support	Price	Omit	Cover		Pad Size					
						5 x 8	7 x 10	9 x 10	9 x 14	11 x 10	11 x 14
Left	Left Limb Support	£170	Omit Left Hanger [FTRLS004]	Smooth [FTRLS006]	Air Mesh [FTRLS007]	[FTRLS008]	[FTRLS009]	[FTRLS010]	[FTRLS011]	[FTRLS012]	[FTRLS013]
Right	Right Limb Support	£170	Omit Right Hanger [FTRLS005]	Smooth [FTRLS020]	Air Mesh Cover [FTRLS021]	[FTRLS014]	[FTRLS015]	[FTRLS016]	[FTRLS017]	[FTRLS018]	[FTRLS019]

## Seat Height, Casters and Rear Wheels

Select Seat Height corresponding to desired Rear Wheel and Caster Size

Rear Wheel Size	Caster Size					
	5"	6"	6" x 2"	7"	8"	8" x 2"
12" with Pneumatic or Pneumatic with Airless Insert Tire <sup>3</sup>	Seat Height					
	13.5"					
	14"					
	14.5"	14.5"	14.5"		17"	
	17.5"	17.5"	17.5"	17.5"	17.5"	17.5"
	18"	18"	18"	18"	18"	18"
	18.5"	18.5"	18.5"	18.5"	18.5"	18.5"
	19"	19"	19"	19"	19"	19"
12" with Full Poly Tire <sup>3</sup>	16.5"	16.5"	16.5"			
	17"	17"	17"	17"	17"	17"
	17.5"	17.5"	17.5"	17.5"	17.5"	17.5"
	18"	18"	18"	18"	18"	18"
	18.5"	18.5"	18.5"	18.5"	18.5"	18.5"
	19"	19"	19"	19"		
12" with Drum Brake	13"					
	13.5"					
	14"	14"	14"			
	14.5"	14.5"	14.5"			
	17.5"	17.5"	17.5"	17.5"	17.5"	17.5"
	18"	18"	18"	18"	18"	18"
	18.5"	18.5"	18.5"	18.5"	18.5"	18.5"
	19"	19"	19"	19"	19"	19"
	19.5"	19.5"	19.5"	19.5"	19.5"	19.5"
	20" <sup>2</sup>		20" <sup>2</sup>	20" <sup>2</sup>	20" <sup>2</sup>	20" <sup>2</sup>
16" with Pneumatic, Pneumatic with Airless Insert or Full Poly Tire <sup>4</sup>	13"					
	13.5"					
	14"	14"	14"			
	14.5"	14.5"	14.5"			
	15"	15"	15"	15"		
	15.5"	15.5"	15.5"	15.5"		
	16"	16"	16"	16"	16"	16"
	16.5" <sup>1</sup>	16.5" <sup>1</sup>	16.5" <sup>1</sup>	16.5" <sup>1</sup>		16.5" <sup>1</sup>
	19"	19"	19"	19"	19"	19"
	19.5"	19.5"	19.5"	19.5"	19.5"	19.5"
	20"	20"	20"	20"	20"	20"
	20.5"	20.5"	20.5"	20.5"	20.5"	20.5"
16" with Low Poly Tire <sup>4</sup>	13"					
	13.5"					
	14"	14"	14"			
	14.5"	14.5"	14.5"			
	15"	15"	15"	15"		
	18"	18"	18"	18"	18"	18"
	18.5"	18.5"	18.5"	18.5"	18.5"	18.5"
	19"	19"	19"	19"	19"	19"
	19.5"	19.5"	19.5"	19.5"	19.5"	19.5"
	20"	20"	20"	20"	20"	20"
			20.5"	20.5"	20.5"	

Rear Wheel Size	Caster Size					
	5"	6"	6" x 2"	7"	8"	8" x 2"
16" with Drum Brake <sup>4</sup>	Seat Height					
	13.5"					
	14"	14"	14"			
	14.5"	14.5"	14.5"			
	15"	15"	15"	15"		
	15.5"	15.5"	15.5"	15.5"		
	16"	16"	16"			16"
		18.5"	18.5"	18.5"	18.5"	18.5"
	19"	19"	19"	19"	19"	19"
	19.5"	19.5"	19.5"	19.5"	19.5"	19.5"
	20"	20"	20"	20"	20"	20"
20"	15"	15"	15"	15"		
	15.5"	15.5"	15.5"	15.5"		
	16"	16"	16"	16"	16"	16"
	16.5"	16.5"	16.5"	16.5"	16.5"	16.5"
	17"	17"	17"	17"	17"	17"
	17.5"	17.5"	17.5"	17.5"	17.5"	17.5"
	18"	18"	18"	18"	18"	18"
	18.5" <sup>2</sup>	18.5" <sup>2</sup>	18.5" <sup>2</sup>	18.5" <sup>2</sup>		
22"	16"	16"	16"	16"	16"	
	16.5"	16.5"	16.5"	16.5"	16.5"	16.5"
	17"	17"	17"	17"	17"	17"
	17.5"	17.5"	17.5"	17.5"	17.5"	17.5"
	18"	18"	18"	18"	18"	18"
	18.5"	18.5"	18.5"	18.5"	18.5"	18.5"
24"	19"	19"	19"	19"	19"	19"
	19.5"	19.5"	19.5"	19.5"	19.5"	19.5"
	16.5" <sup>5</sup>	16.5" <sup>1,5</sup>	16.5" <sup>1,5</sup>			
	17" <sup>5</sup>	17" <sup>5</sup>	17" <sup>5</sup>	17" <sup>5</sup>	17" <sup>5</sup>	17" <sup>5</sup>
	17.5" <sup>6</sup>	17.5" <sup>6</sup>	17.5" <sup>6</sup>	17.5"	17.5"	17.5" <sup>6</sup>
	18"	18"	18"	18"	18"	18"
	18.5"	18.5"	18.5"	18.5"	18.5"	18.5"
	19"	19"	19"	19"	19"	19"
	19.5"	19.5"	19.5"	19.5"	19.5"	19.5"
	20"	20"	20"	20"	20"	20" <sup>2</sup>

- <sup>1</sup> Available only with Full Poly tire
- <sup>2</sup> Not available with Full Poly tire
- <sup>3</sup> Not available with Vent and Battery Tray combination
- <sup>4</sup> Seat heights higher than 16.5" with 16" wheel size are not available with Vent and Battery Tray combination
- <sup>5</sup> Not available with Drum Brake
- <sup>6</sup> Not available with Drum Brake in combination with Pneumatic tires

## Casters and Rear Wheels

### One Arm Drive

One Arm Drive - Quick Release [FTDRV007] £1232

*Available only with 24" Spoke wheels. Spoke wheel style is exclusive to OAD.*

*Not available with Vent Tray, Battery Box Holder, Self Propel Axle Plate or Angle Adjustable Locking Extendable Flip Up. Standard Handrim will be Aluminum Anodized. Axle is Quick Release.*

Left Side Drive [FTDRV002] N/C  
Right Side Drive [FTDRV003] N/C  
Aluminum Drive Handrim [FTDRV004] N/C  
Poly Coated Drive Handrim [FTDRV005] £212

### Casters

		Caster Size				
		Price	5"	6"	7"	8"
Caster Type	1" Poly	N/C	[FTCAS010]	[FTCAS014]	[FTCAS019]	[FTCAS020]
	1" Poly Aluminum	£110	[FTCAS011]			
	1" Pneumatic	£199		[FTCAS017]		[FTCAS021]
	1.5" Poly	N/C	[FTCAS025]	[FTCAS026]		
	1.5" Soft Roll Aluminum	£110	[FTCAS013]	[FTCAS016]		
	2" Poly	N/C		[FTCAS024]		
	2" Pneumatic w/Foam Insert	£199				[FTCAS023]

### Axle

*No selection needed with One Arm Drive or Drum Brake*

Fixed [FTAXO002] N/C  
Quick Release [FTAXO003] N/C

### Self Propel Axle Plate

Self Propel Axle Plate [FTAXP008] £91  
*Not available with Vent Tray or 12" or 16" wheel sizes*

### Wheels

		Rear Wheel Size					
		Price	12"	16"	20"	22"	24"
Rear Wheel Type	Mag	N/C	[FTWHE112]	[FTWHE116]	[FTWHE120]	[FTWHE122]	[FTWHE124]
	Spoke	N/C					[FTWHE024]

### Rear Tire Type

#### Full Profile

Full Poly [FTTIR002] N/C  
Pneumatic [FTTIR001] £55  
Pneumatic with Airless Insert [FTTIR004] £115

#### Low Profile

Low Poly [FTTIR003] N/C  
*Available only with 16" wheel size*

### Handrims

*Handrims not available on 12" or 16" wheel sizes. No selection needed with One Arm Drive*

#### Standard Handrims

Aluminum Anodized [FTHRM001] N/C  
Plastic Coated [FTHRM002] £91  
Projection (8 Vertical Projections) [FTHRM003] N/C  
*Available only with full profile tires in combination with 22", 24", and 26" MAXX Spoke wheels, or 22" and 24" Mag wheels*  
Omit Handrim [FTHRM012] N/C

#### Handrim Options

*Not available on Plastic Coated or Projection Handrims*

3M Micro Grip [FTACC006] £91

## Wheel Locks

Wheel locks		
Push to Lock [FTWLK002]		N/C
Pull to Lock [FTWLK003]		N/C
<i>Not available with 12" or 16" Full Poly tires</i>		
Attendant Foot Lock [FTWLK011]		£73
Combination Attendant Foot Lock [FTWLK018]		£103
<i>Available only with 12" or 16" wheel sizes. Includes Extension Handles. Push to Lock only.</i>		
Drum Brake [FTWLK015]		£532
<i>Available only with 12" Mag, 16" Mag, or MAXX Spoke wheels. Not available with 16" Low Poly tire, Reclining Backrest, One Arm Drive or Self Propel Axle Plate. Axle is Quick Release.</i>		
Dual - Drum Brake with Push to Lock [FTWLK016]		£653
<i>Available only with 12" Mag, 16" Mag, or MAXX Spoke wheels. Not available with 16" Low Poly tire, Reclining Backrest, One Arm Drive or Self Propel Axle Plate. Axle is Quick Release.</i>		
Dual - Drum Brake with Pull to Lock [FTWLK017]		£653
<i>Available only with 12" Mag, 16" Mag, or MAXX Spoke wheels. Not available with 16" Low Poly tire, Reclining Backrest, One Arm Drive or Self Propel Axle Plate. Axle is Quick Release.</i>		
Omit Wheel Locks [FTWLK008]		N/C

## Wheel Lock Options

Extension Handles [FTWLK004]	£97
<i>Available only with Push to Lock or Pull to Lock Wheel Locks.</i>	

## Armrests

Armrest Type	Length		Price
	Desk	[FTARM039]	
Height Adjustable T-Arm Tall (11.5"-15")	Full	[FTARM040]	£170
	Desk	[FTARM003]	£170
Height Adjustable T-Arm (8.5"-13.5")	Full	[FTARM004]	£170
	Desk	[FTARM022]	£170
Height Adjustable T-Arm Low (6.5"-10.5") <sup>1</sup>	Full	[FTARM023]	£170

*1 If requested configuration is unavailable, Standard Height T-Arm will be used. Not available with 14" seat depth and Offset Hangers"*

*2 Not available with IV Pole*

*3 Not available with Dynamic Back*

*4 Minimum armrest height with Reclining Backrest is 12"*

## Accessories

Removable Side Guard		
Composite Side Guards [FTSDG002]		£199
<i>Not available with T-Arm or Dual Post Flip Back Armrests</i>		
Anti-Tip		
Rear Anti-Tips [FTATP001]		£110
<i>Required with Reclining Backrest or Vent Tray</i>		
Omit [FTATP000]		N/C

## Arm Pads

Standard Arm Pad [FTARM026]	N/C
Waterfall Arm Pad [FTARM020]	£25
<i>Not available with Angle Adjustable Locking Extendable Flip Up Armrests</i>	
Foam Grip [FTARM025]	N/C
<i>Available only with Angle Adjustable Locking Extendable Flip Up Armrest</i>	

## Pelvic Positioning Belt

1 1/2" Auto Buckle Pelvic Positioning Belt [FTPOB001]	£97
1 1/2" Padded Auto Buckle Pelvic Positioning Belt [FTPOB002]	£151
2" Airline Buckle Pelvic Positioning Belt [FTPOB003]	£134
Small Bodypoint Evoflex (16-24") [FTPOB007]	£188
Medium Bodypoint Evoflex (19-29") [FTPOB008]	£188
Large Bodypoint Evoflex (25-37") [FTPOB009]	£188

## Belt Mounting Kit

Ki Mobility Belt Mounting Brackets [FTACC013]	£37
Belt Mounting Band Clamp [FTACC054]	£103

## O2 Holder

O2 Holder (E2208) [FTACC018]	£194
<i>Not available with Reclining Backrest or Dynamic Back</i>	

## Other Accessories

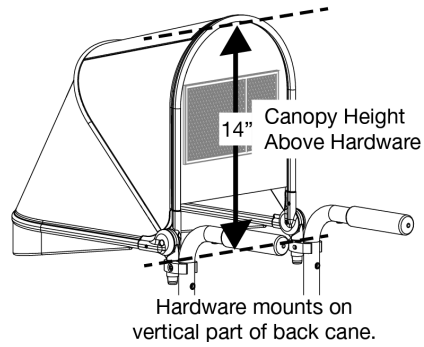
Tool Kit [FTACC005]	£20
---------------------	-----



Etac UK 0(121)561-2222 | orders.uk@etac.com |  
www.kimobility.com | www.etac.com

# FOCUS CR

Ki Mobility Backpack [FTACC009]	£100
Black Neoprene Impact Guards [FTIMG001]	£49
Tilt Stop (Pair) [FTTLT001]	£30
<i>Included with Offset Hanger</i>	
IV Pole [FTACC022]	£170
Canopy with Hardware [FTACC042]	£272
<i>Not available on frame widths greater than 18". See image to the right.</i>	



## Frame Color

### Gloss Finish

Black [FTFCS001]	N/C
Blue Skies [FTFCS018]	N/C
Bubblegum Pink [FTFCS011]	N/C
Candy Blue [FTFCS012]	N/C
Candy Purple [FTFCS010]	N/C
Candy Red [FTFCS003]	N/C
Copper [FTFCS009]	N/C
Granny Smith [FTFCS008]	N/C
Metallic Orange [FTFCS032]	N/C
Yellow [FTFCS029]	N/C

### Matte Finish

Military Green [FTFCS025]	N/C
Charcoal Gray [FTFCS031]	N/C
Emerald Green [FTFCS019]	N/C
Iridescent Burgundy [FTFCS021]	N/C
Iridescent Navy [FTFCS016]	N/C
Retro Red [FTFCS022]	N/C
Royal Blue [FTFCS023]	N/C
Shadow Black [FTFCS015]	N/C
Smooth White [FTFCS024]	N/C



## Axiom G

		Width															
		14"		15"		16"		17"		18"		19"		20"		22"	
		Cushion	Outer Cover	Cushion	Outer Cover	Cushion	Outer Cover	Cushion	Outer Cover	Cushion	Outer Cover	Cushion	Outer Cover	Cushion	Outer Cover	Cushion	Outer Cover
Retail		£85	£70	£85	£70	£85	£70	£85	£70	£85	£70	£85	£70	£85	£70	£85	£70
Height	14"																
	15"																
	16"																
	17"																
	18"																
	19"																
	20"																
	21"																
	22"																

## Axiom S

		Width															
		14"		15"		16"		17"		18"		19"		20"		22"	
		Cushion	Outer Cover	Cushion	Outer Cover	Cushion	Outer Cover	Cushion	Outer Cover	Cushion	Outer Cover	Cushion	Outer Cover	Cushion	Outer Cover	Cushion	Outer Cover
Retail		£120	£70	£120	£70	£120	£70	£120	£70	£120	£70	£120	£70	£120	£70	£120	£70
Height	14"																
	15"																
	16"																
	17"																
	18"																
	19"																
	20"																
	21"																
	22"																

## Axiom P

		Width															
		14"		15"		16"		17"		18"		19"		20"		22"	
		Cushion	Outer Cover	Cushion	Outer Cover	Cushion	Outer Cover	Cushion	Outer Cover	Cushion	Outer Cover	Cushion	Outer Cover	Cushion	Outer Cover	Cushion	Outer Cover
Retail		£170	£70	£170	£70	£170	£70	£170	£70	£170	£70	£170	£70	£170	£70	£170	£70
Height	14"																
	15"																
	16"																
	17"																
	18"																
	19"																
	20"																
	22"																

## Axiom SP - Visco

		Width																										
		14"			15"			16"			17"			18"			19"			20"			21"			22"		
		Cushion	Cover		Cushion	Cover		Cushion	Cover		Cushion	Cover		Cushion	Cover		Cushion	Cover		Cushion	Cover		Cushion	Cover				
Retail		£350	£70	£350	£70	£350	£70	£350	£70	£350	£70	£350	£70	£350	£70	£350	£70	£350	£70	£350	£70	£350	£70					
Height	14"																											
	15"																											
	16"																											
	17"																											
	18"																											
	19"																											
	20"																											
	22"																											

## Axiom SP - Fluid

		Width																										
		14"			15"			16"			17"			18"			19"			20"			21"			22"		
		Cushion	Cover		Cushion	Cover		Cushion	Cover		Cushion	Cover		Cushion	Cover		Cushion	Cover		Cushion	Cover		Cushion	Cover				
Retail		£320	£70	£320	£70	£320	£70	£320	£70	£320	£70	£320	£70	£320	£70	£320	£70	£320	£70	£320	£70	£320	£70					
Height	14"																											
	15"																											
	16"																											
	17"																											
	18"																											
	19"																											
	20"																											
	22"																											

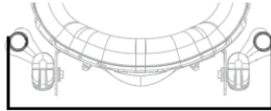
### Solid Seat Insert

Weight capacity: 350 lbs

		Width								
		14"	15"	16"	17"	18"	19"	20"	21"	22"
		Cushion	Cushion	Cushion	Cushion	Cushion	Cushion	Cushion	Cushion	Cushion
Retail		£55	£55	£55	£55	£55	£55	£55	£55	£55
Height	14"									
	15"									
	16"									
	17"									
	18"									
	19"									
	20"									
	21"									
	22"									

Axiom Back Width	Fits Back Frame Widths	
	Inner Slots	Outer Slots
12" (30.5cm)	11" (28.0cm)	12" -14" (30.5cm -35.5cm)
14" (35.5cm)	12" -13" (30.5cm -33.0cm)	14" -16" (35.5cm -40.5cm)
16" (40.5cm)	14" -15" (35.5cm -38.0cm)	16" -18" (40.5cm -45.5cm)
18" (45.5cm)	16" - 17" (40.5cm - 43.0cm)	18" - 20" (45.5cm - 50.5cm)
20" (51.0cm)	18" -19" (46.0cm -48.5cm)	20" -22" (50.5cm -55.5cm)
22" (56.0cm)	20" -21" (51.0cm -53.5cm)	22" -24" (56.0cm -61.0cm)

Hardware Description	Code
Improved DEX Hardware, removable adjustable hardware (300 lb max user weight)	<b>DEX</b>
New BTX Hardware, removable adjustable hardware not recommended for, or installed on Ultralight Rigid Frame Wheelchairs (400 lb max user weight)	<b>BTX</b>
New Fixed Hardware, non-removeable hardware up to (300 lb max user weight)	<b>FXT</b>



## Axiom Back

Hardware is included with back. Low Back selections are not available with headrests, modifications, or posture supports. Weight capacity: 300 lbs.

### Axiom Posterior Back (PB)

		Width						
		12"	14"	16"	18"	20"	22"	
Retail		£550	£550	£550	£550	£550	£550	
Height	Low	8"	[AXPB1208]	[AXPB1408]	[AXPB1608]	[AXPB1808]	[AXPB2008]	
		10"		[AXPB1410]	[AXPB1610]	[AXPB1810]	[AXPB2010]	[AXPB2210]
		12"	[AXPB1212]	[AXPB1412]	[AXPB1612]	[AXPB1812]	[AXPB2012]	
	Mid	14"		[AXPB1414]	[AXPB1614]	[AXPB1814]	[AXPB2014]	[AXPB2214]
		16"	[AXPB1216]	[AXPB1416]	[AXPB1616]	[AXPB1816]	[AXPB2016]	
		18"		[AXPB1418]	[AXPB1618]	[AXPB1818]	[AXPB2018]	[AXPB2218]

### Back Hardware

DEX Hardware [DEX]    BTX Hardware [BTX]    FXT Hardware [FXT] \_\_\_\_\_ N/C

### Lateral Support for AXPB Backs

Lateral Trunk Supports for AXPB Backs							
Pair	Left	Right	Description	Item Code	Pair	Each	
			3 x 4 Lateral Pads with Fixed Mounting Hardware for Axiom Posterior Back	PBLF3x4P	£295	£148	
			4 x 5 Lateral Pads with Fixed Mounting Hardware for Axiom Posterior Back	PBLF4x5P	£295	£148	
			3 x 4 Lateral Pads with Swing Away Mounting Hardware for Axiom Posterior Back	PBLS3x4P	£628	£314	
			4 x 5 Lateral Pads with Swing Away Mounting Hardware for Axiom Posterior Back	PBLS4x5P	£628	£314	
			3 x 4 Lateral Pads with Adjustable Swing Away Mounting Hardware	PBLAS3x4P	£628	£314	
			4 x 5 Lateral Pads with Adjustable Swing Away Mounting Hardware	PBLAS4x5P	£628	£314	

### Axiom Posterior Lateral Back (PL)

		Width						
		12"	14"	16"	18"	20"	22"	
Retail		£550	£550	£550	£550	£550	£550	
Height	Low	8"	[AXPL1208]	[AXPL1408]	[AXPL1608]	[AXPL1808]	[AXPL2008]	
		10"		[AXPL1410]	[AXPL1610]	[AXPL1810]	[AXPL2010]	[AXPL2210]
		12"	[AXPL1212]	[AXPL1412]	[AXPL1612]	[AXPL1812]	[AXPL2012]	
	Mid	14"		[AXPL1414]	[AXPL1614]	[AXPL1814]	[AXPL2014]	[AXPL2214]
		16"	[AXPL1216]	[AXPL1416]	[AXPL1616]	[AXPL1816]	[AXPL2016]	
		18"		[AXPL1418]	[AXPL1618]	[AXPL1818]	[AXPL2018]	[AXPL2218]
Tall	20"	[AXPL1220]	[AXPL1420]	[AXPL1620]	[AXPL1820]	[AXPL2020]		
	22"		[AXPL1422]	[AXPL1622]	[AXPL1822]	[AXPL2022]	[AXPL2222]	

### Back Hardware

DEX Hardware [DEX]    BTX Hardware [BTX]    FXT Hardware [FXT] \_\_\_\_\_ N/C

### Lateral Support for AXPL

Lateral Trunk Supports for AXPL & AXLB Backs						
Pair	Left	Right	Description	Item Code	Pair	Each
			3 x 4 Lateral Pads with Fixed Mounting Hardware for Axiom Posterior Lateral Back	PLLF3x4P	£295	£295
			4 x 5 Lateral Pads with Fixed Mounting Hardware for Axiom Posterior Lateral Back	PLLF4x5P	£295	£295
			3 x 4 Lateral Pads with Swing Away Mounting Hardware for Axiom Posterior Lateral Back	PLLS3x4P	£628	£314
			4 x 5 Lateral Pads with Swing Away Mounting Hardware for Axiom Posterior Lateral Back	PLLS4x5P	£628	£314
			3 x 4 Lateral Pads with Adjustable Swing Away Mounting Hardware	PLLAS3x4P	£628	£314
			4 x 5 Lateral Pads with Adjustable Swing Away Mounting Hardware	PLLAS4x5P	£628	£314

### Axiom Deep Lateral Back (DL)

		Width						
		12"	14"	16"	18"	20"	22"	
Retail		£550	£550	£550	£550	£550	£550	
HCPC		E2620	E2620	E2620	E2620	E2620	E2621	
Height	Mid	14"	[AXDL1214]	[AXDL1414]	[AXDL1614]	[AXDL1814]	[AXDL2014]	[AXDL2214]
		16"		[AXDL1416]	[AXDL1616]	[AXDL1816]	[AXDL2016]	
		18"	[AXDL1218]	[AXDL1418]	[AXDL1618]	[AXDL1818]	[AXDL2018]	[AXDL2218]
	Tall	20"	[AXDL1220]	[AXDL1420]	[AXDL1620]	[AXDL1820]	[AXDL2020]	
		22"		[AXDL1422]	[AXDL1622]	[AXDL1822]	[AXDL2022]	[AXDL2222]

### Back Hardware

DEX Hardware [DEX]    BTX Hardware [BTX]    FXT Hardware [FXT] \_\_\_\_\_ N/C

## Headrest

Description	Std. Straight Removable Adjustable Hardware		Multi-Axis Removable Adjustable Hardware		Posalinc Removable Adjustable Hardware		HCPCS
	Item Code	Retail	Item Code	Retail	Item Code	Retail	
Comfort Soft Headrest 8"	[CS08SS]	£268	[CS08MA]	£268	[CS08PL]	£268	E0955 / E1028
Comfort Soft Headrest 10"	[CS10SS]	£268	[CS10MA]	£268	[CS10PL]	£268	E0955 / E1028
Comfort Soft Headrest 14"	[CS14SS]	£268	[CS14MA]	£268	[CS14PL]	£268	E0955 / E1028
Contour Positioning Pad, 8" X 6.25"	[CP08SS]	£303	[CP08MA]	£303	[CP08PL]	£303	E0955 / E1028
Contour Positioning Pad, 9" X 6.5"	[CP09SS]	£303	[CP09MA]	£303	[CP09PL]	£303	E0955 / E1028
Contour Positioning Pad, 10" X 7.5"	[CP10SS]	£303	[CP10MA]	£303	[CP10PL]	£303	E0955 / E1028
Tri-soft Headrest 10"	[TS10SS]	£386	[TS10MA]	£386	[TS10PL]	£386	E0955 / E1028
Tri-soft Headrest 14"	[TS14SS]	£386	[TS14MA]	£386	[TS14PL]	£386	E0955 / E1028

Description	Item Code	Retail	HCPCS
Universal Headrest Mounting Plate	[UMP]	£43	K0108

*Not required for Axiom Headrests*

## Anterior Thoracic Supports

*Selection of a modification from the Axiom Back Modifications section required in order to mount posture supports. Not available with Low Backs.*

Anterior Thoracic Supports			
Description	Item Code	HCPCS	Retail
Dynaform Chest Support: 2-Piece with Hook&Loop, 3" High Pad, Small	[14941]	E0960	£100
Dynaform Chest Support: 2-Piece with Hook&Loop, 4" High Pad, Medium	[14942]	E0960	£100
Dynaform Chest Support: 2-Piece with Hook&Loop, 5" High Pad, Large	[14943]	E0960	£100
Dynaform Chest Support: 1-Piece with Buckle, 3" Height x 20" Width, Small	[14924]	E0960	£100
Dynaform Chest Support: 1-Piece with Buckle, 4" Height x 20" Width, Medium	[14927]	E0960	£100
Dynaform Chest Support: 1-Piece with Buckle, 4" Height x 22" Width, Large	[14928]	E0960	£100
Dynaform Anterior Trunk Support: Standard, Dynamic, X-Small	[14851]	E0960	£100
Dynaform Anterior Trunk Support: Standard, Dynamic, Small	[14852]	E0960	£100
Dynaform Anterior Trunk Support: Standard, Dynamic, Medium	[14853]	E0960	£100
Dynaform Anterior Trunk Support: Standard, Dynamic, Large	[14854]	E0960	£100
Dynaform Anterior Trunk Support: Slim Cut, Dynamic, X-Small	[14856]	E0960	£100
Dynaform Anterior Trunk Support: Slim Cut, Dynamic, Small	[14857]	E0960	£100
Dynaform Anterior Trunk Support: Slim Cut, Dynamic, Medium	[14858]	E0960	£100
Dynaform Anterior Trunk Support: Slim Cut, Dynamic, Large	[14859]	E0960	£100
AirLogic Anterior Trunk Support: Standard, Structure, Small	[14282]	E0960	£300
AirLogic Anterior Trunk Support: Standard, Structure, Medium	[14283]	E0960	£300
AirLogic Anterior Trunk Support: Standard, Structure, Large	[14284]	E0960	£300
AirLogic Anterior Trunk Support: Standard, Structure, X-Large	[14285]	E0960	£300
AirLogic Anterior Trunk Support: Slim Cut, Dynamic, Small	[14257]	E0960	£300
AirLogic Anterior Trunk Support: Slim Cut, Dynamic, Medium	[14258]	E0960	£300
AirLogic Anterior Trunk Support: Slim Cut, Dynamic, Large	[14259]	E0960	£300
AirLogic Anterior Trunk Support: Slim Cut, Dynamic, X-Large	[14260]	E0960	£300

## Accessories

Adjustable Shoulder Guides (K0108) [AXBSG] <i>Includes Anterior Thoracic Mounting Modification. Not available with Low Backs.</i>	£43
Extra Lumbar Pad (K0108) [LUMPAD] <i>Available only with Axiom Lateral Back and Axiom Deep Lateral back</i>	N/C
Privacy Flap (K0108) [PRFLAP]	£44

## Axiom Back Modifications

### Axiom Back Modifications

*Extended lead times will apply for all modifications. Makes back non-refundable.*

Anterior Thoracic Mounting Modification [AXSMM] <i>Provides holes for Anterior Thoracic Supports and Shoulder Guides</i>	N/C
---	-----

### Gloss Finish

*If no selection is made, standard Shadow Black will be used with no additional lead time*

Black Back Shell [AXMBLK]	N/C
Blue Skies Back Shell [AXMSKY]	N/C
Bubblegum Pink Back Shell [AXMPNK]	N/C
Candy Blue Back Shell [AXMCBL]	N/C
Candy Purple Back Shell [AXMPUR]	N/C
Candy Red Back Shell [AXMRED]	N/C
Copper Back Shell [AXMCOP]	N/C
Granny Smith Back Shell [AXMGSM]	N/C
Metallic Orange Back Shell [AXMMOR]	N/C
Yellow Back Shell [AXMYLW]	N/C
Silver Back Shell [AXMSIL]	N/C
Teal Back Shell [AXMTEA]	N/C

### Matte Finish

*If no selection is made, standard Shadow Black will be used with no additional lead time*

Military Green Back Shell [AXMAGM]	N/C
Charcoal Gray Back Shell [AXMCGM]	N/C
Emerald Green Back Shell [AXMEGM]	N/C
Iridescent Burgundy Back Shell [AXMIBM]	N/C
Iridescent Navy Back Shell [AXMINM]	N/C
Retro Red Back Shell [AXMRRM]	N/C
Royal Blue Back Shell [AXMRBM]	N/C
Smooth White Back Shell [AXMSWM]	N/C